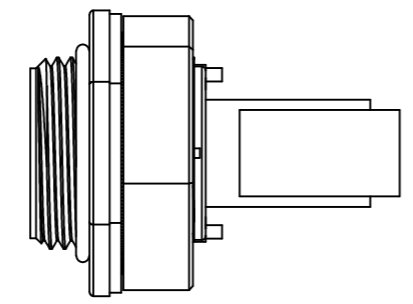
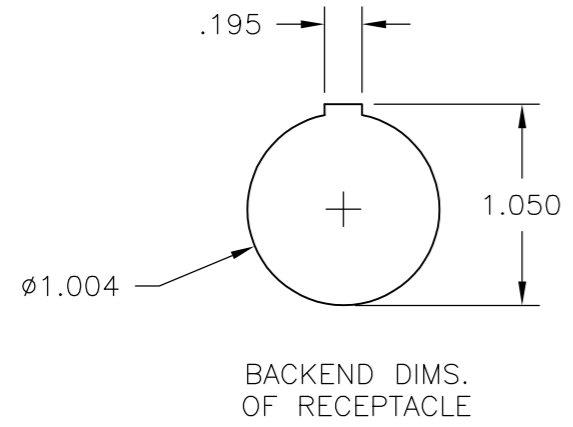
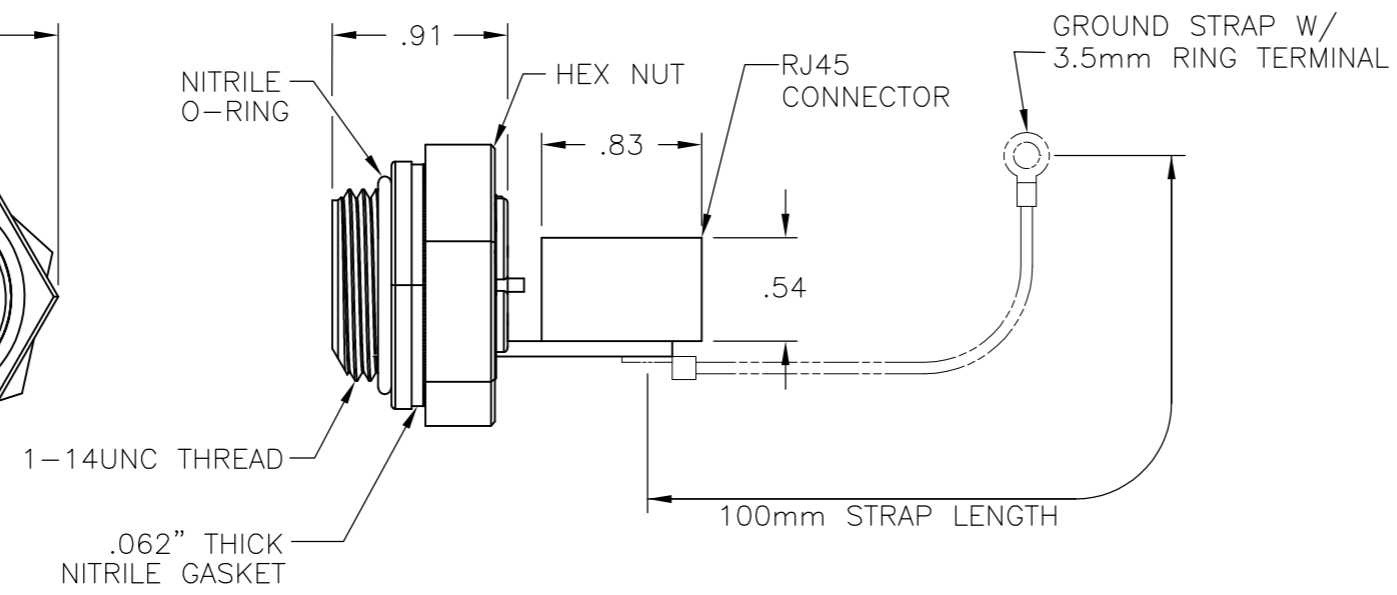
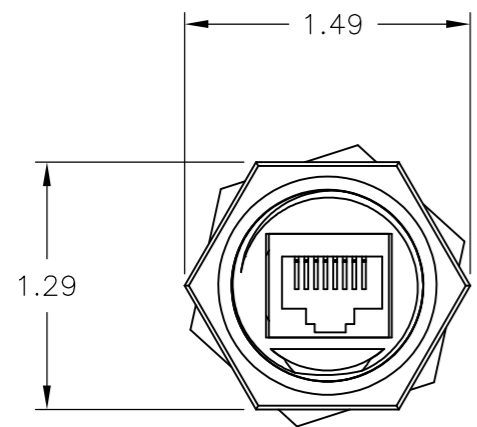


THIS DRAWING IS UNPUBLISHED. RELEASED FOR PUBLICATION
 © COPYRIGHT - By - ALL RIGHTS RESERVED.

REVISIONS					
P	LTR	DESCRIPTION	DATE	DWN	APVD
	C3	CONTACT GOLD FINISH THICKNESS CORRECTED FROM 50µm TO 30µm AND OVERMOLD MATERIAL NOTE IS REMOVED.	26MAY2017	TJ	NG



- NOTES:
- ENVIRONMENTAL SPECIFICATIONS:
 OPERATING TEMPERATURE: -20°C TO 80°C
 IEC IP67 COMPLIANT
 - ELECTRICAL SPECIFICATIONS:
 TIA/EIA RATING: CAT 5E
 CURRENT RATING: 1.5A
 VOLTAGE RATING: 125 V DC
 RETURN LOSS: 5 dB AT 100 MHz
 - PHYSICAL SPECIFICATIONS:
 O-RING MATERIAL: VITON
 INSERT MATERIAL: ABS
 COUPLING NUT MATERIAL: ABS
 SHELL MATERIAL: ABS
 PANEL THICKNESS: .125" MAX WITH GASKET
 .187" MAX WITHOUT GASKET
 .062" MIN
 CONTACT FINISH: 30µm OF GOLD OVER 100µm OF NICKEL
 - SIZE OF SOLDER FILLET FROM THE SHIELD GROUND MAY VARY.



OBSOLETE	YES	1546413-4
	NO	1546413-3
SUPERSEDED	YES	1546413-2
SUPERSEDED	NO	1546413-1
	GROUND STRAP	PART NO.

STANDARD RJ45 PIN LAYOUT	
1 TO 1	
2 TO 2	
3 TO 3	
4 TO 4	
5 TO 5	
6 TO 6	
7 TO 7	
8 TO 8	

THIS DRAWING IS A CONTROLLED DOCUMENT.

DIMENSIONS: INCHES	TOLERANCES UNLESS OTHERWISE SPECIFIED:	DWN S SCHLEGEL 09OCT2002	TE Connectivity RJ-45 BULKHEAD PASS THROUGH WITH BACKSIDE JACK
	0 PLC ± -	CHK H WAKEEM 10/9/02	
	1 PLC ± -	APVD H WAKEEM 10/9/02	
MATERIAL	FINISH	PRODUCT SPEC	
REFER NOTES	REFER NOTES	APPLICATION SPEC	SIZE CAGE CODE DRAWING NO RESTRICTED TO
		WEIGHT	A3 00779 C-1546413
CUSTOMER DRAWING		SCALE NTS	SHEET 1 OF 1 REV C3

Mouser Electronics

Authorized Distributor

Click to View Pricing, Inventory, Delivery & Lifecycle Information:

[TE Connectivity:](#)

[1546413-3](#)