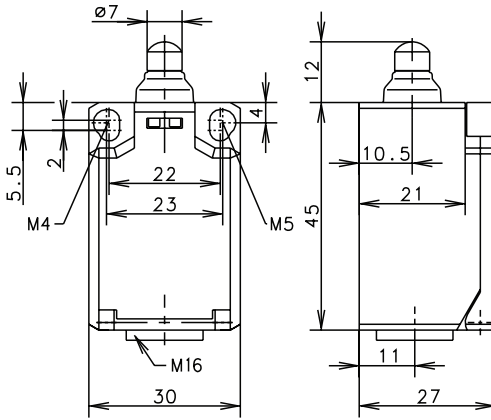


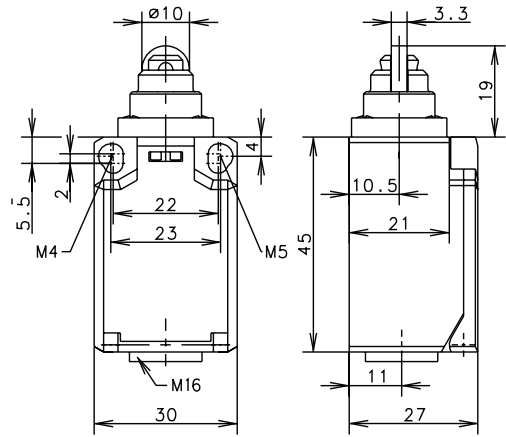
Ti2 Series



W (Form B)



RIW (Form C)



Switching Operation	Slow Action	Snap Action	Slow Action	Snap Action
1 NC / 1 NO Contacts	608.8103.001 TI2-U1Z W 	608.8153.002 TI2-SU1Z W 	608.8117.007 TI2-U1Z RIW 	608.8167.008 TI2-SU1Z RIW
2 NC Contacts	608.8803.003 TI2-A2Z W 	608.8853.004 TI2-SA2Z W 	608.8817.009 TI2-A2Z RIW 	608.8867.010 TI2-SA2Z RIW
2 NO Contacts	608.8803.005 TI2-E2 W 			608.8867.012 TI2-SE2 RIW
1 NC / 1 NO Contacts Overlapping	-	-	-	-

Technical Information

	Slow Action	Snap Action	Slow Action	Snap Action
Maximum Switching Voltage	240V	240V	240V	240V
Maximum Switching Amperage	10A	10A	10A	10A
B10d	6 Million	6 Million	6 Million	6 Million
Mechanical Service Life	3 x 10 ⁶	3 x 10 ⁶	3 x 10 ⁶	3 x 10 ⁶
Switching Frequency	≤ 100/min	≤ 100/min	≤ 100/min	≤ 100/min
Operating Temperature	-30 °C to +80 °C	-30 °C to +80 °C	-30 °C to +80 °C	-30 °C to +80 °C
Protection Rating	IP65	IP65	IP65	IP65
Utilization Category	AC-15, Ue/Ue 240V 3A	AC-15, Ue/Ue 240V 3A	AC-15, Ue/Ue 240V 3A	AC-15, Ue/Ue 240V 3A
Rate Insulation Voltage	240VAC	240VAC	240VAC	240VAC

Approvals



Special features / variants

- Available with greater switching force

Special features / variants

- Available with greater switching force
- Available different actuator direction
- Activation direction can not be rotated by user

Drawing dimensions in mm

Mouser Electronics

Authorized Distributor

Click to View Pricing, Inventory, Delivery & Lifecycle Information:

[Altech:](#)

[608.8153.002](#) [608.8867.010](#) [608.8817.009](#) [608.8167.008](#) [608.8853.004](#) [608.8803.003](#) [608.8803.005](#)
[608.8103.001](#) [608.8117.007](#) [608.8867.012](#)