

MICRO SWITCH

FREERPORT ILLINOIS, U S A
A DIVISION OF HONEYWELL
FED. MFG. CODE 91929

ACTUATOR SWITCH

CATALOG LISTING

JX - 47

(M) JX - 47
REPLACES SKETCH 29982

JX - 47

M

DRAWING NUMBER

X

8

ISSUE

89

RELEASE NO. PR - 4276

CHECK

REVISIONS

A	NEW DWG PR-4276	BEN	17 AUG 74
B	C047771	CJH	17 MAY 80
C	C079303	DLT	8 MAR 95
D	C082928	DLT	13 MAY 96

CHECK

20 AUG 74

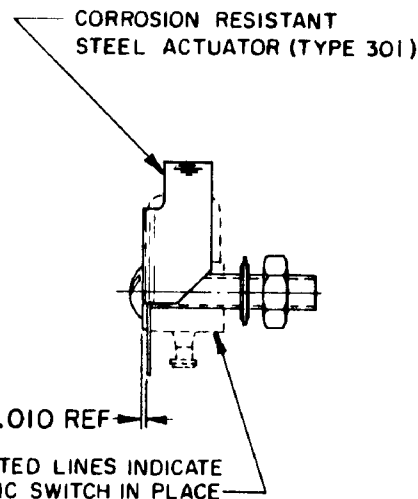
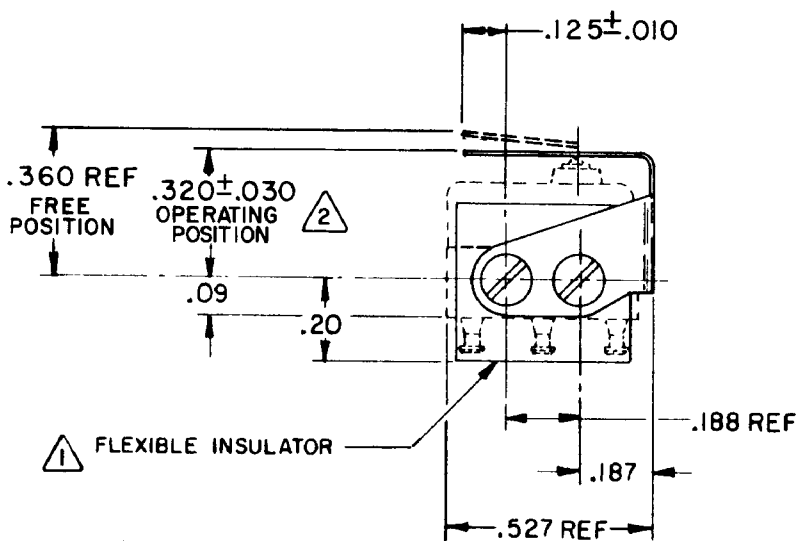
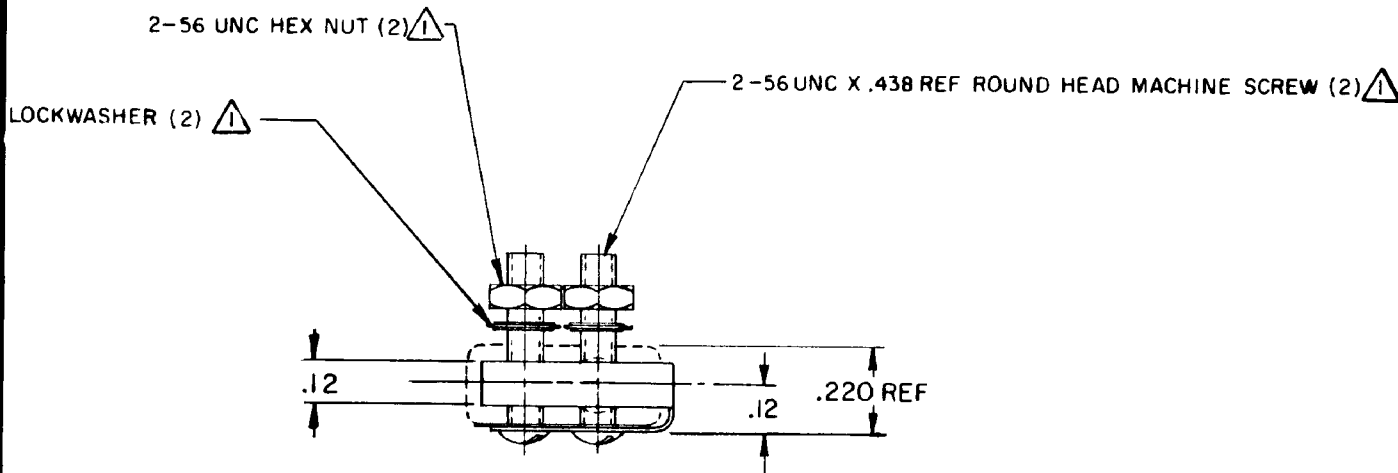
CHECK

17 AUG 74

CHECK

17 AUG 74

CHECK



NOTE
 ① - SCREWS, NUTS, LOCKWASHERS AND INSULATOR FURNISHED UNASSEMBLED
 ② - SLIGHT ROTATION BETWEEN BASIC AND ACTUATOR MAY BE NECESSARY TO OBTAIN OPERATING POSITION

THIS DRAWING COVERS A PROPRIETARY ITEM AND IS THE PROPERTY OF MICRO SWITCH, A DIVISION OF HONEYWELL. THIS DRAWING IS NOT TO BE COPIED OR USED WITHOUT THE APPROVAL OF MICRO SWITCH.

THIRD ANGLE PROJECTION

CHARACTERISTICS
OPERATING FORCE --- 7 OZ APPROX
RELEASE FORCE --- 2 OZ APPROX
DIFFERENTIAL TRAVEL --- .030 APPROX
OVERTRAVEL --- .030 MIN

ELECTRICAL DATA
CONTACT ARRANGEMENT

SCALE	2 TO 1		
DO NOT SCALE PRINT			
TOLERANCES			
APPLY TO DESIGN UNITS CONVERSIONS ARE ONLY FOR REFERENCE UNLESS NOTED TOLERANCES ARE ±			
DIM.	TOL	DIM	TOL
mm	mm/in	in	mm/in
NO PLACES	X	.1/04	
ONE PLACE	X, X	0.4/016	X X 0.8/03
TWO PLACES	X, XX	0.15/006	X XX 0.38/015
THREE PLACES	X, XXX		X XXX 0.13/005
ANGLES			
DESIGN UNITS		US CUSTOMARY	
<input type="checkbox"/> SI METRIC		<input checked="" type="checkbox"/> US CUSTOMARY	
WEIGHT			

FO-52848-A

DRAWN

BEN

Mouser Electronics

Authorized Distributor

Click to View Pricing, Inventory, Delivery & Lifecycle Information:

[Honeywell:](#)

[JX-47](#)