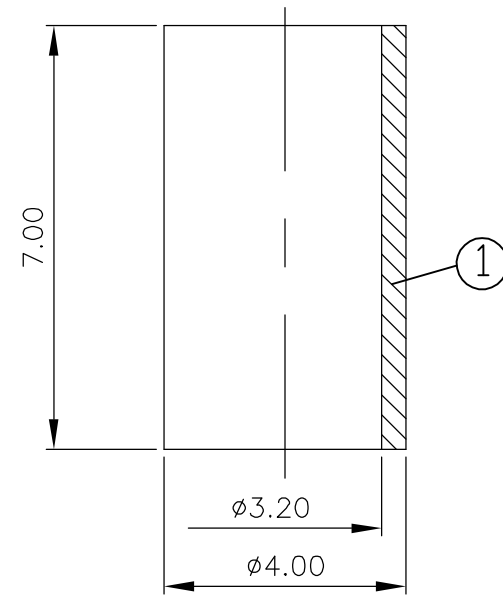
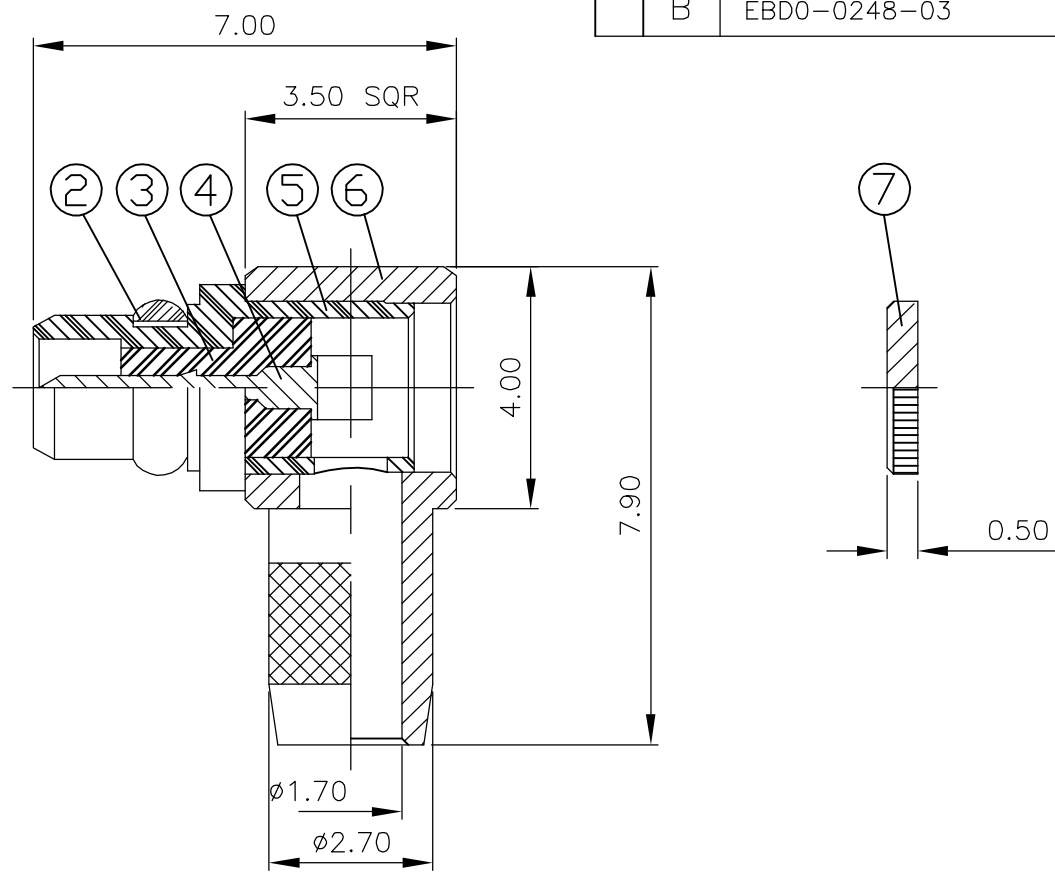


THIS DRAWING IS UNPUBLISHED. RELEASED FOR PUBLICATION NOV ,2003.

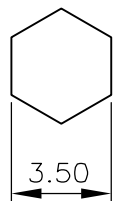
© COPYRIGHT 2003 BY TYCO ELECTRONICS CORPORATION. ALL RIGHTS RESERVED.

LOC	DIST	REVISIONS					
E	B	P	LTR	DESCRIPTION	DATE	DWN	APVD
		B		EBD0-0248-03	12NOV03	JMS	FWK

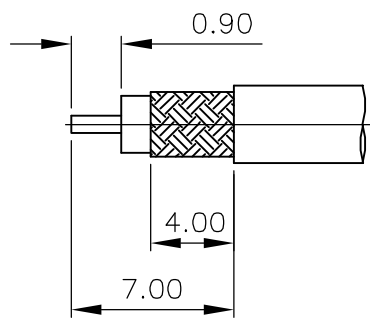
- ① SINGLE PACK IN ACCORDANCE WITH SPEC 107-3275
- ② 100 TRAY PACK IN ACCORDANCE WITH SPEC 107-3275
- ③ 0.76µm Au PLATING OVER 1.27µm Ni PLATING OVER 0.76µm Cu PLATING
- ④ 0.08µm Au PLATING OVER 1.27µm Ni PLATING OVER 0.76µm Cu PLATING
- 5 HANDTOOL 9-1478240-0
- 6 DIE SET 9-1478248-0



RECOMMENDED CRIMP SLEEVE A/F HEX



RECOMMENDED CABLE STRIPPING DIM'S



QTY	QTY	MATERIAL	DESCRIPTION	ITEM
1	1	BRASS	ACCESS CAP	7
1	1	BRASS	BODY	6
1	1	BRASS	BODY	5
1	1	BRASS	PIN	4
1	1	PTFE	INSULATOR	3
1	1	BERYLLIUM COPPER	RETAINING RING	2
1	1	BRASS	CRIMP SLEEVE	1
6--0	1--0	MATERIAL	DESCRIPTION	ITEM
②	①			

THIS DRAWING IS A CONTROLLED DOCUMENT.		DWN J.SANDWELL 12NOV03	 Tyco Electronics Corporation Stanmore, Middlesex, HA7 4RS	
DIMENSIONS: MM		CHK S.PARLOW 12NOV03		
TOLERANCES UNLESS OTHERWISE SPECIFIED:		APVD F.WHEELER-KING 12NOV03	NAME MMCX ELBOW PLUG CRIMP RG174 50 OHMS	
0 PLC ± -		PRODUCT SPEC 108-3462	DRAWING NO A3 00779 C-1634002	
1 PLC ± -		APPLICATION SPEC 411-3279	RESTRICTED TO -	
2 PLC ± -		WEIGHT -	SCALE NTS	
3 PLC ± -		MATERIAL SEE TABLE	SHEET 1 OF 1	
4 PLC ± -			REV B	
ANGLES ± -		CUSTOMER DRAWING		

Mouser Electronics

Authorized Distributor

Click to View Pricing, Inventory, Delivery & Lifecycle Information:

[TE Connectivity:](#)

[1-1634002-0](#)