

**SAFETY ORGANIZATION(S):**

THIS FILTER HAS BEEN FORMALLY RECOGNIZED, CERTIFIED OR APPROVED BY THE LISTED AGENCY. THEREFORE, ALL TEST/REQUIREMENTS SPECIFIED IN THE LATEST REVISION OF THE FOLLOWING AGENCY STANDARDS HAVE BEEN MET:

UL RECOGNIZED	UL 1289
CSA CERTIFIED	CSA 22.2, NO.0,0.4,8
VDE APPROVED	VDE 565-3, 625

**OPERATING SPECIFICATIONS:**

LINE VOLTAGE/CURRENT: 3 AMP.; 120/250 VAC  
2 AMP./40°C, 250 VAC

LINE FREQUENCY: 50-60Hz  
MAX. LEAKAGE CURRENT, EACH  
LINE TO GROUND .3mA @ 120V 60Hz  
.5mA @ 250V 50Hz  
OPERATING AMBIENT TEMP. RANGE: -10°C TO +40°C @ RATED CURRENT, I<sub>r</sub>

IN AN AMBIENT, T<sub>a</sub>, HIGHER THAN 40°C, THE MAXIMUM OPERATING CURRENT, I<sub>o</sub>, IS AS FOLLOWS:

$$I_o = I_r \sqrt{\frac{85 - T_a}{45}}$$

**RELIABILITY SPECIFICATIONS:**

STORAGE TEMPERATURE: -25°C TO +85°C  
HUMIDITY: 21 DAYS @ 40°C 95% RH  
CURRENT OVERLOAD TEST: 6 TIMES RATED CURRENT FOR 8 SECONDS

**TEST SPECIFICATIONS:**

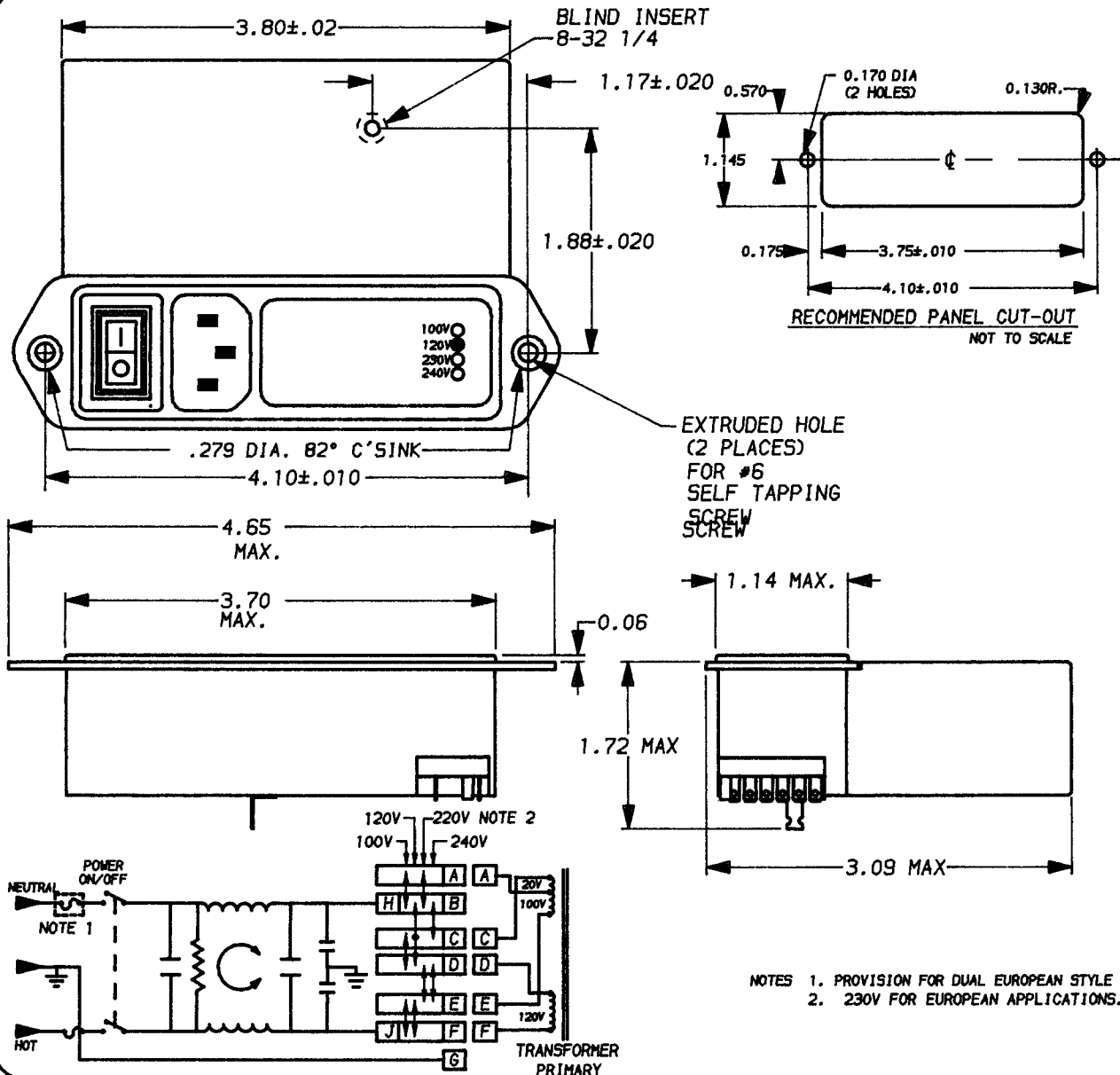
INDUCTANCE: 2.3mH NOMINAL  
CAPACITANCE: (MEASURED @ 1 KHz, 0.25 VAC MAX., 25°C ±1°C)  
LINE TO GROUND: .004µF ±20%  
LINE TO LINE: .37µF ±20%  
DISCHARGE RESISTOR: 820KΩ  
LINE/GROUND AND LINE/LINE: 6000 MΩ (MIN) AT 100 VDC  
INSULATION RESISTANCE: 20°C AND 50% RH (W/O DISCHARGE RESISTOR)

**RECOMMENDED RECEIVING INSPECTION HIPOT:**

LINE TO GROUND: 1500 VAC FOR 1 MINUTE  
LINE TO LINE: 1450 VDC FOR 1 MINUTE

**FILTER APPROVAL:**

THE BEST WAY TO SELECT AND QUALIFY A FILTER IS FOR YOUR ENGINEERING TO TEST THE UNIT IN YOUR EQUIPMENT.



NOTES 1. PROVISION FOR DUAL EUROPEAN STYLE FUSING.  
2. 230V FOR EUROPEAN APPLICATIONS.

50Ω - 50Ω (MINIMUM) INSERTION LOSS									
FREQUENCY MHz	.01	.05	.07	.15	.50	1.0	5	10	30
COMMON dB	2	13	16	23	40	46	44	44	44
DIFF. dB	—	—	5	34	62	68	60	50	40

UNLESS OTHERWISE SPECIFIED, TOLERANCE TO BE ±.025  
MATERIAL & FINISH: AS SUPPLIED  
This document is proprietary to CORCOM INC. and is not to be reproduced nor used for manufacturing purposes except on CORCOM'S prior written consent.



POWER LINE FILTER

DATE: 4-18-94 CATALOG NO. 3EXM4S 02  
APPRVD.

CAD NO. 3EXM4S.02

# Mouser Electronics

Authorized Distributor

Click to View Pricing, Inventory, Delivery & Lifecycle Information:

[TE Connectivity:](#)

[3EXM4S](#)