

EmETXe-i2503



Intel® Atom™ N2600/ D2550 COM Express Compact Type 2 CPU Module



Features

- **Fanless Design**
- Soldered Onboard Intel® Atom™ N2600 / D2550 Processor
- Integrated Gigabit Ethernet
- Single Channel 18-bit N2600 / 24-bit D2550 LVDS, Analog RGB
- Support Dual Independent Displays
- **Extended Operating Temp.: -20 ~ 70°C**

System

CPU	Soldered onboard Intel® Atom™ N2600 1.6GHz/ D2550 1.86GHz processor
Memory	1 x DDR3 SO-DIMM socket, supporting 1066MHz SDRAM up to 4GB (D2550)/ 2GB (N2600)
Chipset	Intel® PCH NM10
BIOS	AMI UEFI BIOS
Watchdog Timer	1~255 levels reset

I/O

USB Port	8 x USB 2.0 ports
Digital IO	8-bit programmable Digital Input/ Output
	2 x PCIe x1 lanes
Expansion Bus	4 x PCI masters
	SPI and LPC (Low Pin Count) interfaces
Storage	2 x Serial ATA ports with 300MB/s HDD transfer rate
Ethernet Chipset	1 x Intel® 82583V PCIe GbE controller
Audio	HD Audio Link

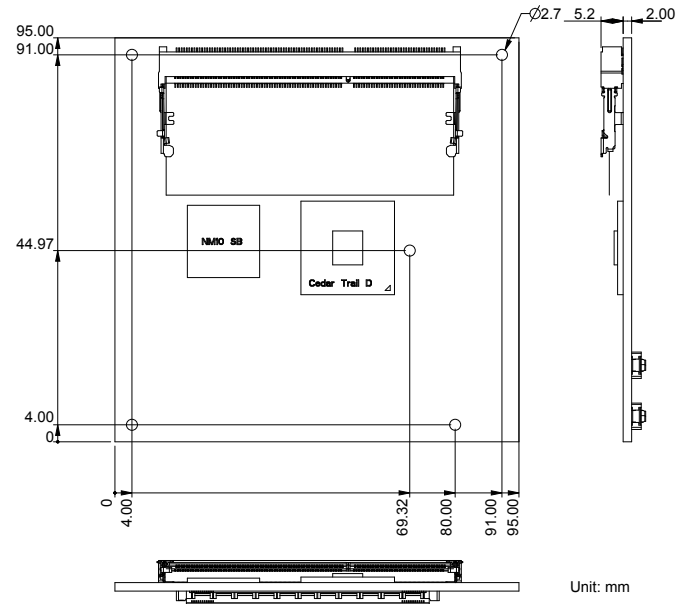
Display

Graphics Chipset	Integrated Intel® Graphics Media Accelerator 3650 (Gfx frequency 640 MHz) for D2550 processor Integrated Intel® Graphics Media Accelerator 3600 (Gfx frequency 400 MHz) for N2600 processor
	Support Analog RGB
Graphics Interface	LCD: - Single Channel 18-bit LVDS for N2600 - Single Channel 24-bit LVDS for D2550 Support Dual Independent Displays

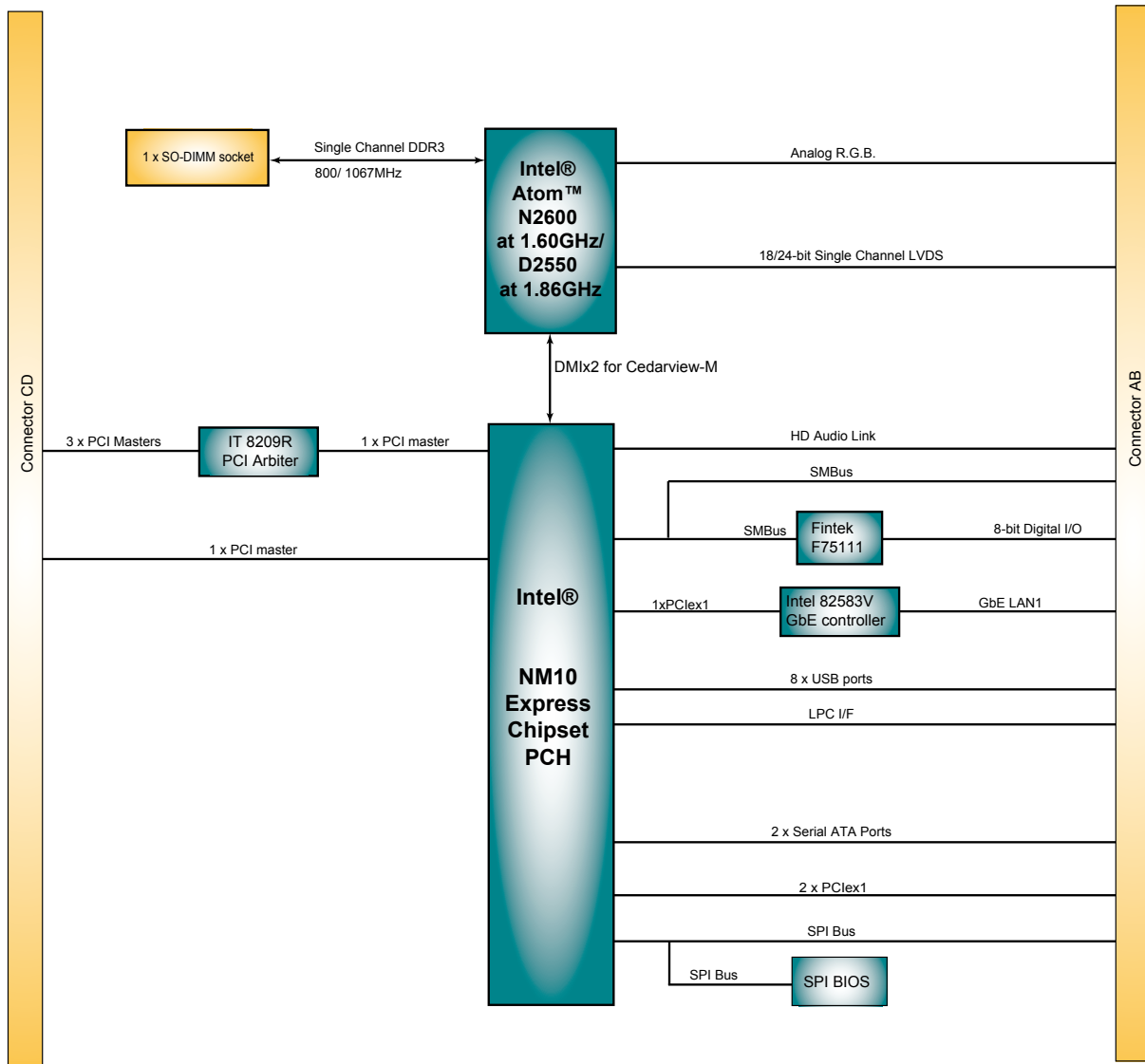
Mechanical & Environmental

Power Requirement	+12V, 5VSB
Power Consumption	0.95A@+12V (Typical)
Operating Temp.	-20 ~ 70°C (-4 ~ 158°F)
Operating Humidity	10 ~ 95% @ 70°C (non-condensing)
Dimension (L x W)	95 x 95 mm (3.7" x 3.7")

Dimensions



Block Diagram



Ordering Information

EmETXe-i2503-N26 Intel® Atom™ N2600 1.6GHz COM express Compact CPU module

EmETXe-i2503-D25 (BTO) Intel® Atom™ D2550 1.86GHz COM express Compact CPU module

Optional Accessories

HS-250C-F2 Heat spreader (95x95x11mm)

HS-0000-W4 Universal evaluation heatsink kit w/ thermal pad (dimension: 125x95x22mm, only used on a flat type heatspreader)

PBE-1700-F R1.3 COM Express Type 2 evaluation board in ATX form factor w/ F71869 Super IO

Page 64

Cable kit

- 1 x SATA cable
- 1 x COM port cable
- 1 x FDD cable
- 1 x IDE cable

CBK-04-1700-00

CPF-0000-C1 FAN, 4500RPM, 60x60x20mm

Mouser Electronics

Authorized Distributor

Click to View Pricing, Inventory, Delivery & Lifecycle Information:

[ARBOR Technology:](#)

[EmETXe-i2503](#) [EmETXe-i2503-N26](#) [HS-250C-F2](#) [HS-0000-W4](#)