

# VSC8244

## Quad Port 10/100/1000BASE-T PHY with RGMII / RTBI MAC Interfaces

The VSC8244 is the industry's smallest, lowest power quad port Gigabit Ethernet transceiver for low-cost RGMII and RTBI switch and router applications.

In 1000BASE-T mode, the VSC8244's power consumption is 30% lower than the next best competitor. The device's compact 19 mm x 19 mm BGA package is ideal for high-density switch applications.

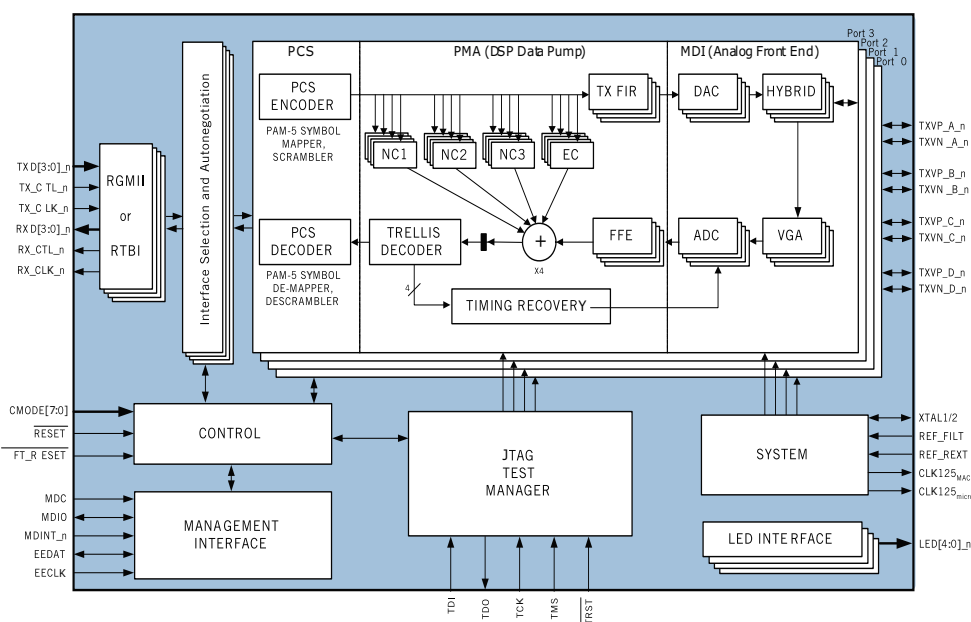
Microsemi's mixed signal and DSP architecture yields robust performance, supporting both full and half duplex 10BASE-T, 100BASE-TX, and 1000BASE-T over >140 m of Category 5, unshielded twisted pair (UTP) cable, with industry leading tolerance to NEXT, FEXT, Echo, and system noise.

### Applications

- High density 10/100/1000BASE-T LAN & MAN switches and routers
- Workgroup LAN switches and routers
- PICMG 2.16 and 3.0 backplane applications
- Gigabit Ethernet-based SAN, NAS, and MAN systems
- High performance workstations and multi-port server NICs

### Specifications

- Steady state power consumption per port
- I/O power supply voltage options
- Analog supply voltage
- Core power supply voltage
- Crystal parallel resonant frequency ( $\pm 100$  ppm tolerance)



# VSC8244

## Quad Port 10/100/1000BASE-T PHY with RGMII / RTBI MAC Interfaces

### Features

- Lowest power consumption in the industry at less than 640 mw/port (1000BASE-T mode)
- Patented, low EMI line driver with integrated line side termination resistors
- Supports RGMII v1.3 (2.5 V & 3.3 V) & v2.0 (1.5 V HSTL), 1.8 V (SSTL compatible)
- User-programmable RGMII timing compensation
- Compliant with IEEE 802.3 (10BASE-T, 100BASE-TX, 1000BASE-T) specifications
- >10 kB jumbo frame support with programmable synchronization FIFOs
- Five direct drive LEDs with on-chip filtering interface option
- Serial LED interface option
- Three user configuration options: 1) Optional serial EEPROM, 2) Hardware configuration pins, or 3) Serial Management Interface (SMI)
- Full suite of BIST, MAC, and far-end loopback modes
- VeriPHY™ link cable diagnostics software suite
- Automatic detection and correction of cable pair swaps, pair skew and pair polarity, along with HP auto MDI/MDI-X cross-over function
- Manufactured in advanced 0.13 μm, 3.3 V/1.2 V digital CMOS process

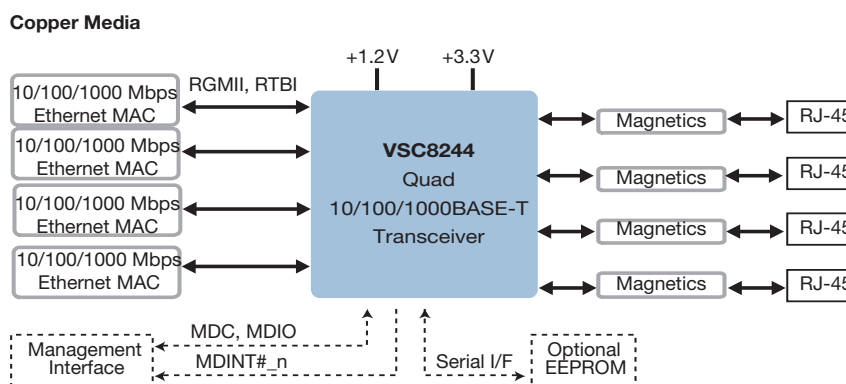
### Benefits

- Eliminates heatsinks and fans for Gigabit to the desktop LAN switches

- Removes 576 passive components in 48-port switch applications
- Compatible with a wide variety of parallel I/F switch ICs
- Simplifies PCB layout; eliminates PCB trombones
- Ensures seamless deployment throughout copper networks with industry's highest tolerance to noise and substandard cable plants
- Provides for maximum jumbo frame sizes in custom SAN and LAN systems
- Eliminates external components and EMI issues
- Provides maximum system design flexibility
- Offers design engineer a solution to fit any unmanaged or managed system requirement
- Simplifies comprehensive in-system test to ensure the highest product quality
- Enables network manufacturers to simplify deployment and improve network management capabilities of Gigabit Ethernet links
- Compatible with 1st generation 1000BASE-T PHYs; supports auto MDI/MDI-X even when autonegotiation is disabled
- Most cost effective technology eliminates more expensive analog process variants

### Related Products

Visit [www.microsemi.com](http://www.microsemi.com) for information about other related products.



**Microsemi Corporate Headquarters**  
 One Enterprise, Aliso Viejo, CA 92656 USA  
 Within the USA: +1 (800) 713-4113  
 Outside the USA: +1 (949) 380-6100  
 Sales: +1 (949) 380-6136  
 Fax: +1 (949) 215-4996  
 email: [sales.support@microsemi.com](mailto:sales.support@microsemi.com)  
[www.microsemi.com](http://www.microsemi.com)

Microsemi Corporation (Nasdaq: MSCC) offers a comprehensive portfolio of semiconductor and system solutions for communications, defense and security, aerospace, and industrial markets. Products include high-performance and radiation-hardened analog mixed-signal integrated circuits, FPGAs, SoCs, and ASICs; power management products; timing and synchronization devices and precise time solutions; voice processing devices; RF solutions; discrete components; enterprise storage and communications solutions, security technologies, and scalable anti-tamper products; Ethernet solutions; Power-over-Ethernet ICs and midspans; custom design capabilities and services. Microsemi is headquartered in Aliso Viejo, California, and has approximately 4,800 employees worldwide. Learn more at [www.microsemi.com](http://www.microsemi.com).

# Mouser Electronics

Authorized Distributor

Click to View Pricing, Inventory, Delivery & Lifecycle Information:

[Microchip:](#)

[VSC8244XHG](#)