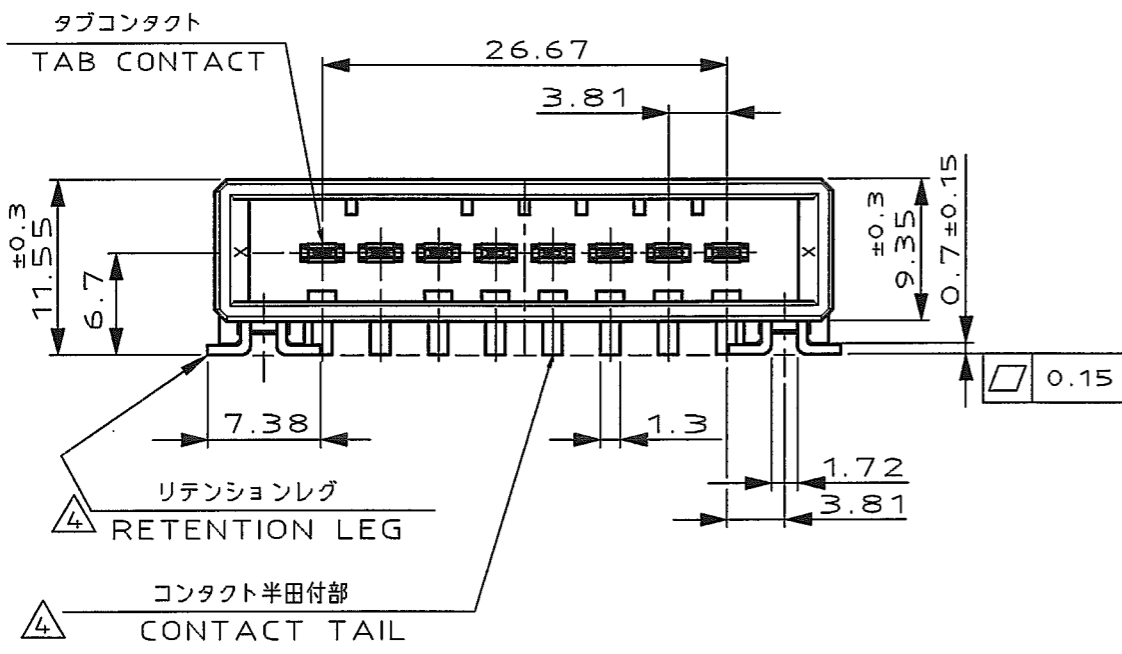
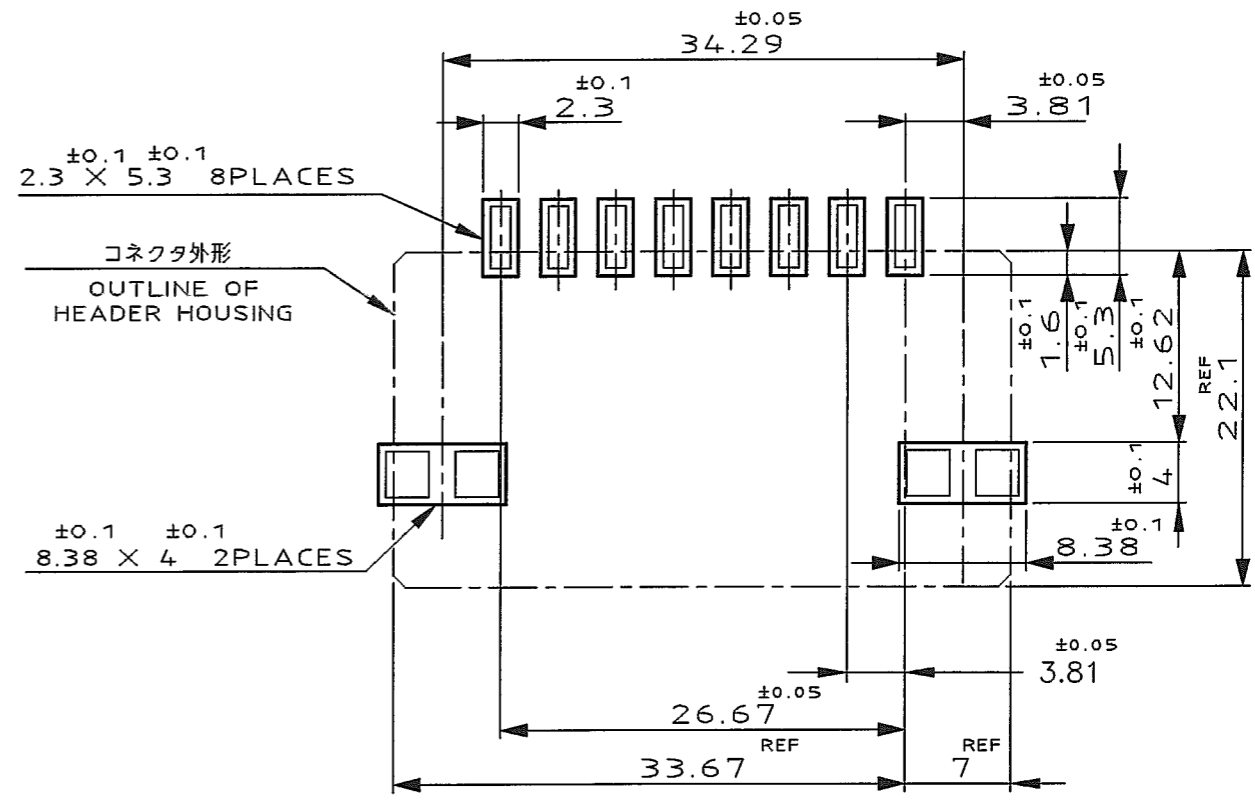
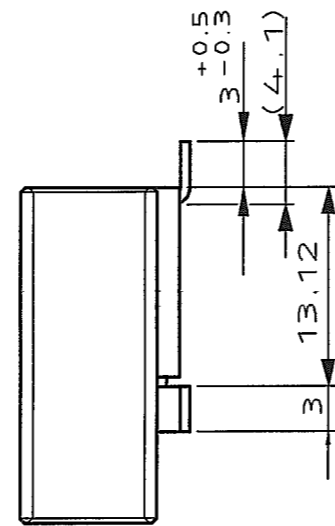
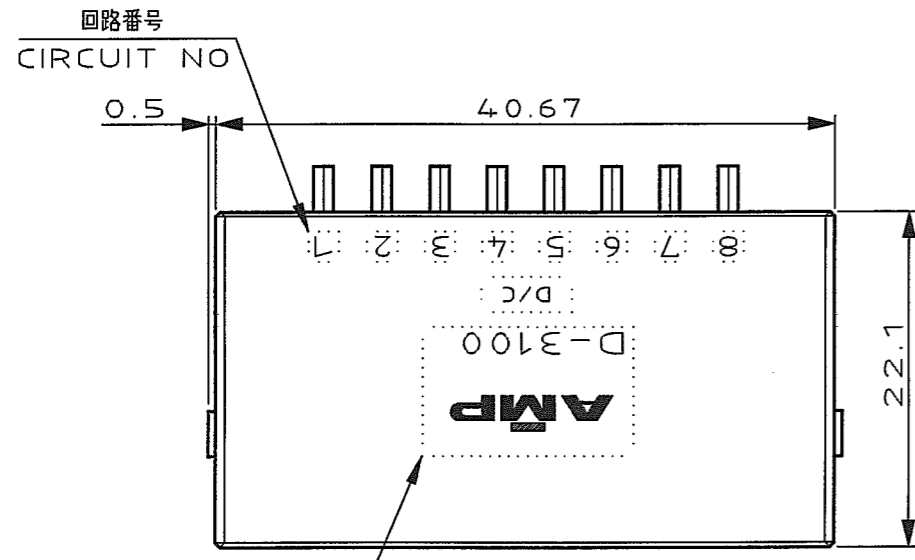


NUMBER 179188  
 3rd ANGLE PROJECTION  
 METRIC  
 PROJ NO.393-611  
 DIMENSIONS IN MILLIMETERS. DO NOT SCALE PRINT  
 PRINT DIST  
 AMP-J  
 REV.10/83



推奨基板取付け寸法  
 (非累積公差)  
 (コネクタ搭載面)  
 RECOMEND BOARD PATTERN  
 (NOT ACCUMULATE TOLERANCE)  
 (CONNECTOR MOUNT SIDE)

NOTES

1. MATERIAL:HOUSING:GLASS FILED THERMO PLASTIC,UL94V-0  
 CONTACT:COPPER ALLOY  
 RETENTION LEG:COPPER ALLOY
2. FINISH(CONTACT AREA):0.38μmMIN GOLD PLATING OVER NI PLATING
3. FINISH(CONTACT AREA):0.76μmMIN GOLD PLATING OVER NI PLATING
4. FINISH(RETENTION LEG): TIN PLATED (SOLDER TYING) OVER NICKEL

注記

1. 材料:ハウジング:ガラス入り熱可塑性樹脂,UL94V-0  
 コンタクト:銅合金  
 リテンションレグ:銅合金
2. めっき:コンタクト接触部:ニッケル下地の上に金めっき0.38μmMIN
3. めっき:コンタクト接触部:ニッケル下地の上に金めっき0.76μmMIN
4. めっき:リテンションレグとコンタクト半田付部:ニッケル下地の上にスズめっき

△4	△3	1-179188-3
△4	△2	1-179188-2
(FINISH)		製品番号 (PART NO.)

A	REVISED	FJD0-0039-03	TS	SM	6/2/93
0	RELEASED	FJ00-0450-93	NM	SM	8/20/93
LTR	REVISION RECORD		DR	CHK	DATE

Copyright © 1993 AMP(Japan) LTD. ALL RIGHTS RESERVED.		Tyco Electronics AMP K.K. Kawasaki, Japan	
WIRE RANGE	INSULATION DIA	NAME	
mm?(AWG - )	mmφ	8 POS SINGLE ROW SMT TYPE HORIZONTAL HDR ASS'Y FOR DYNAMIC 3100	
MATERIAL	FINISH	一般公差 (GENERAL TOLERANCE)	SIZE LOC NUMBER
SEE NOTE 注記参照	SEE NOTE 注記参照	100μF : ±0.2 100μF 300F : ±0.3 300μF1000F : ±0.4 角度 : ±3'	A3 J C-179188
DR.	DE.	SCALE	REV. SHEET
18 AUG 93 N.Matsubara	18 AUG 93 N.Matsubara	2-1	A 1 OF 1
CHK.	APP.		
S.MANABE	S.MANABE		

# Mouser Electronics

Authorized Distributor

Click to View Pricing, Inventory, Delivery & Lifecycle Information:

[TE Connectivity:](#)

[1-179188-2](#)