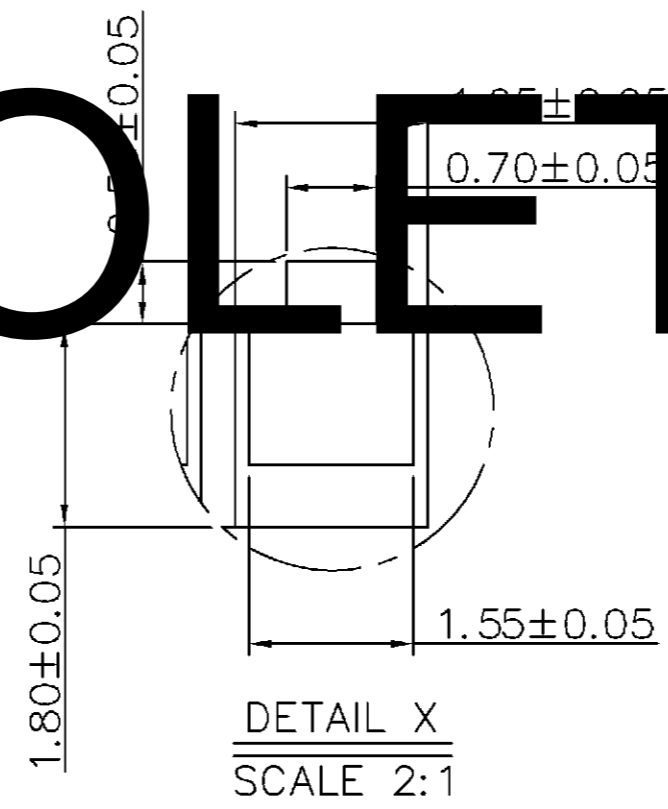
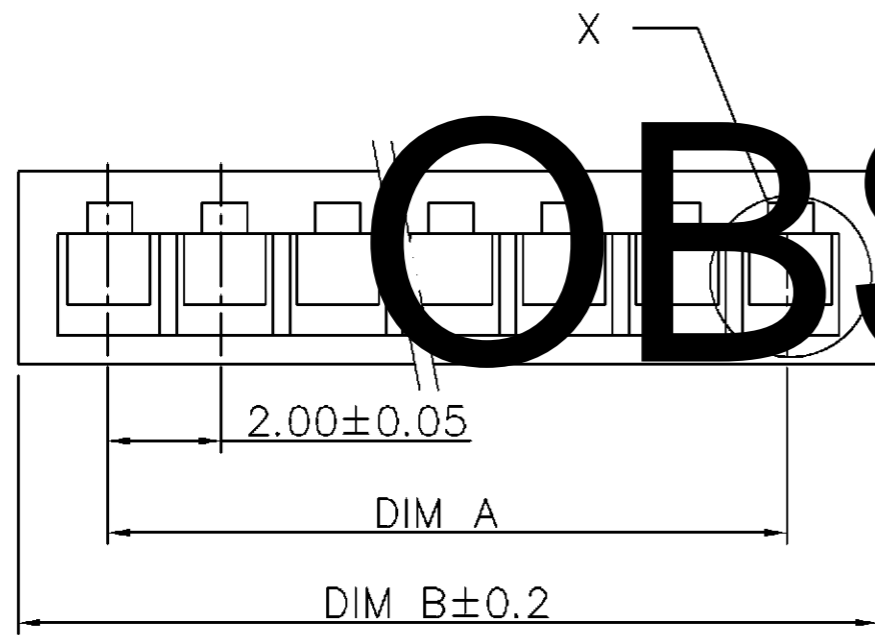


NOTE:
 1. MATERIAL :
 HOUSING : THERMOPLASTIC UL94V-0,
 WHITE COLOR.



DIM B	DIM A	POS.	PART NUMBER
33.2	30.00±0.15	16	1-1470199-6
31.2	28.00±0.15	15	1-1470199-5
29.2	26.00±0.15	14	1-1470199-4
27.2	24.00±0.15	13	1-1470199-3
25.2	22.00±0.15	12	1-1470199-2
23.2	20.00±0.15	11	1-1470199-1
21.2	18.00±0.10	10	1-1470199-0
19.2	16.00±0.10	9	1470199-9
17.2	14.00±0.10	8	1470199-8
15.2	12.00±0.10	7	1470199-7
13.2	10.00±0.08	6	1470199-6
11.2	8.00±0.08	5	1470199-5
9.2	6.00±0.08	4	1470199-4
7.2	4.00±0.05	3	1470199-3
5.2	2.00±0.05	2	1470199-2

OBSOLETE

ECO-16-002887

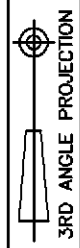
DIMENSION : 0 PLC ± 1 PLC ±0.20 2 PLC ±0.10 3 PLC ±0.05 ANGLES ±	DWN	O. HU		
		16-JULY-2002		
MATERIAL	CHK	J. CHENG	NAME 2.0 MM PITCH, CRIMP, RIGHT ANGLE, HOUSING	
		16-JULY-2002		
SEE NOTE	APVD	J. WU	LOC DW A ₃ DRAWING NO C-1470199 REV P	
		16-JULY-2002		
SEE NOTE	PRODUCT SPEC	108-57158	SCALE --- SHEET 1 OF 2	
	QUALIFICATION TEST REPORT	501-57248		
	WEIGHT			

P		REVISED PER	RK	5APR11
LTR	REVISION RECORD	ECO	DWN	CHK
		ECO-11-005301		DATE

DIMENSIONS IN MILLIMETERS. DO NOT SCALE PRINT.

PRINT DW

NUMBER C-1470199



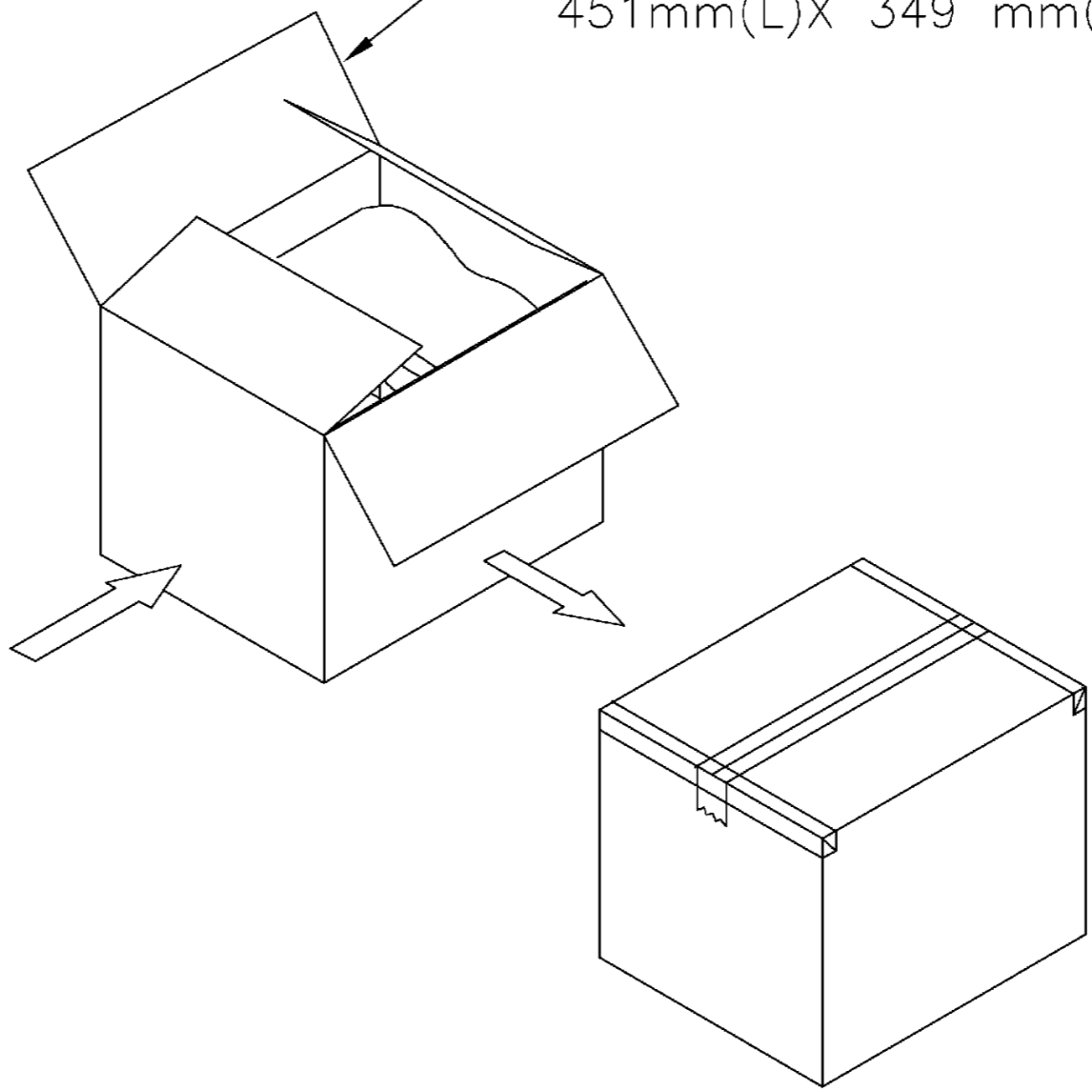
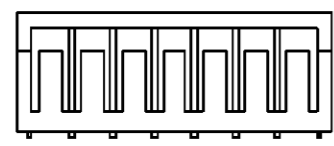
METRIC

DIMENSIONS IN MILLIMETERS. DO NOT SCALE PRINT.

PRINT DIST DW

CARTON
451mm(L)X 349 mm(W)X 302mm(H)

POLY BAG



35,000	1000	1-1470199-6
35,000	1000	1-1470199-5
40,000	1000	1-1470199-4
40,000	1000	1-1470199-3
45,000	1000	1-1470199-2
45,000	1000	1-1470199-1
60,000	1000	1-1470199-0
65,000	1000	1470199-9
80,000	1000	1470199-8
80,000	1000	1470199-7
100,000	1000	1470199-6
120,000	1000	1470199-5
140,000	1000	1470199-4
170,000	1000	1470199-3
260,000	1000	1470199-2
APQ (PCS/CARTON)	PPQ (PCS/BAG)	PART NUMBER

DIMENSION : 0 PLC ± 1 PLC ± 2 PLC ± 3 PLC ± ANGLES ±'	DWN	O. HU	TE Connectivity			
		16-JULY-2002				
MATERIAL SEE NOTE	CHK	J. CHENG	NAME 2.0 MM PITCH, CRIMP, RIGHT ANGLE, HOUSING			
		16-JULY-2002				
FINISH SEE NOTE	APVD	J. WU	LOC	SIZE	DRAWING NO	REV
		16-JULY-2002	DW	A ₃	C-1470199	P
	APPLICATION SPEC		SCALE	SHEET		
	WEIGHT		--	2 OF 2		

		SEE SHEET 1.		
LTR	REVISION RECORD	ECO	DWN/CHK	DATE

8 | 7 | 6 | 5 | 4 | 3 | 2 | 1
CUSTOMER DRAWING