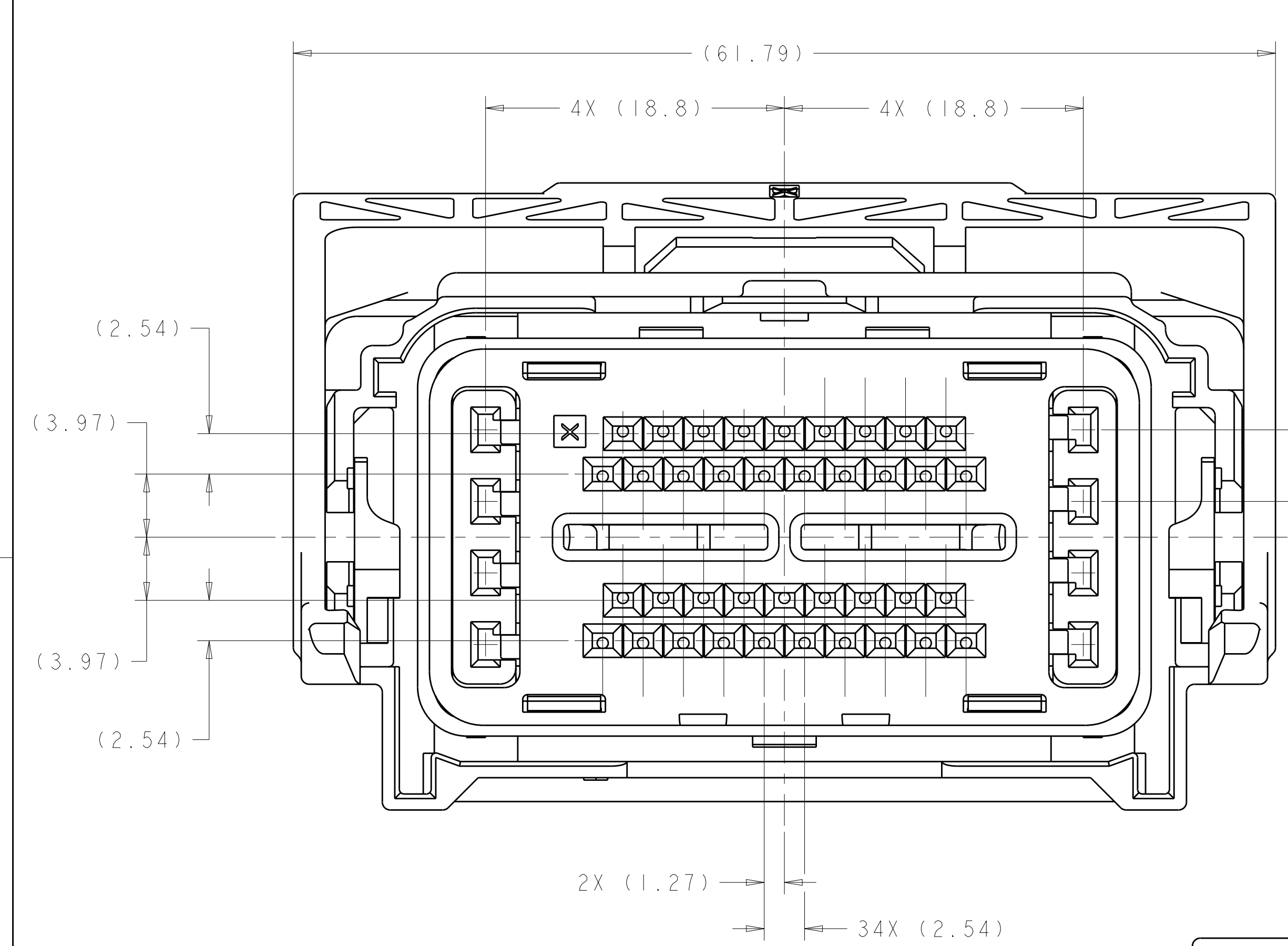
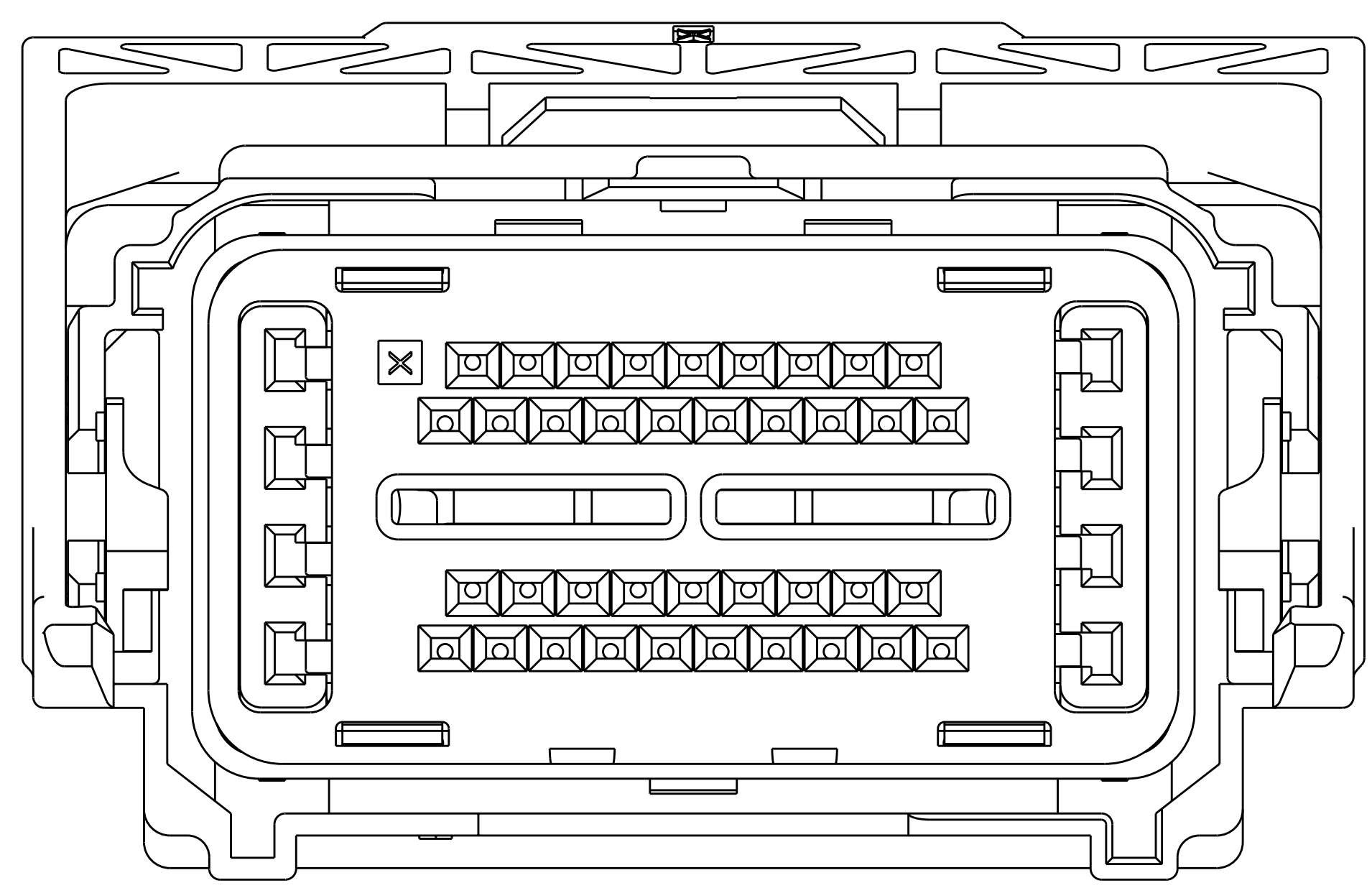


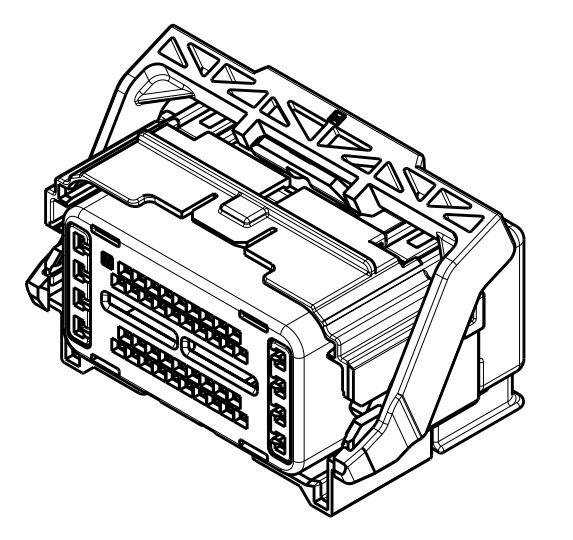
REV	DATE	DESCRIPTION	DATE	BY	APP'D
S10	23APR2009	REVISED PER ECO-09-009758		DLD	DCM
S11	29DEC2009	REVISED PER ECO-09-028550		DLD	DCM



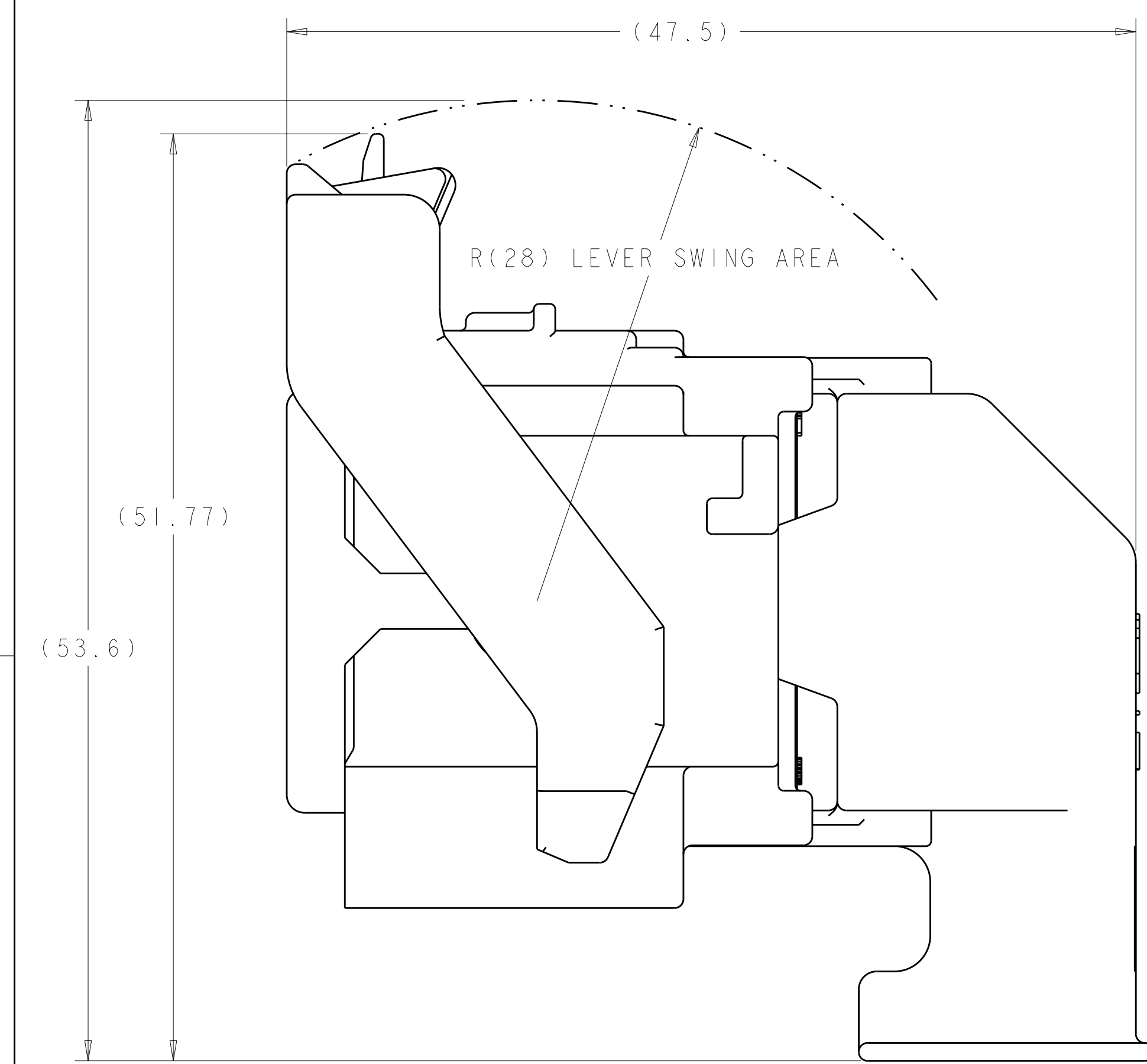
KEYING OPTION "A"
1438082-1



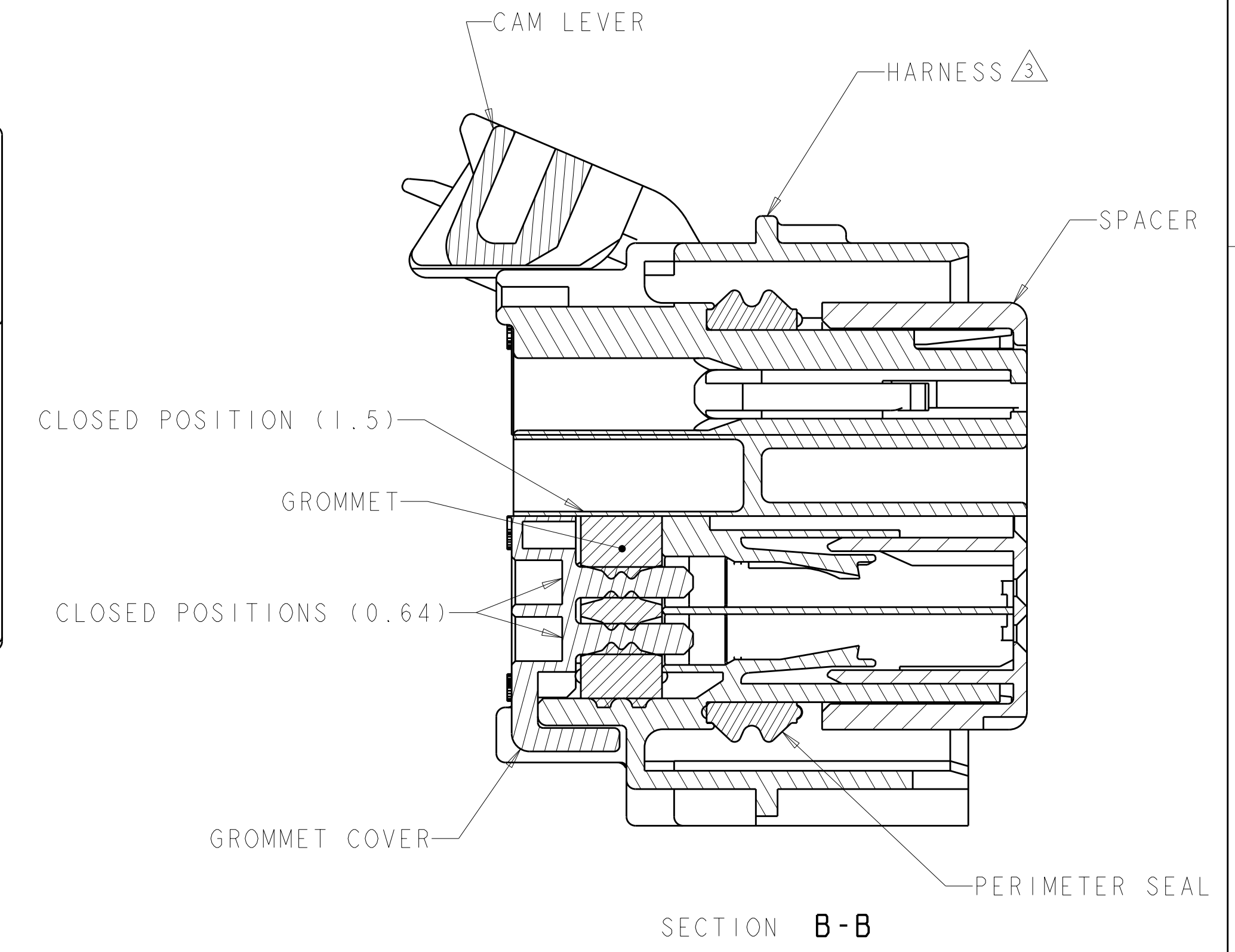
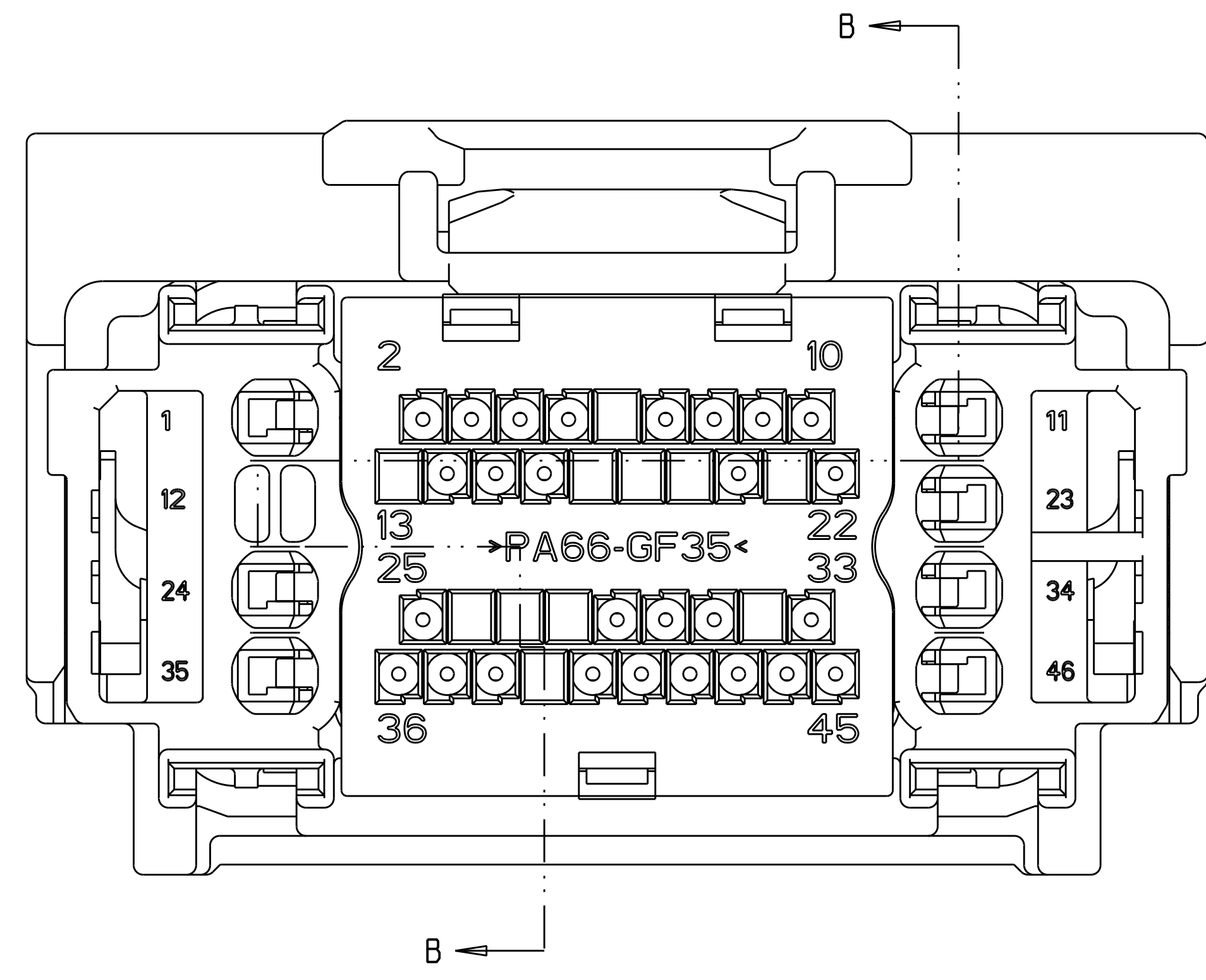
KEYING OPTION "B"
1438082-2



SCALE 1:1



SHOWN WITH CAM LEVER AND SPACER
IN LOADED POSITION WITH
OPTIONAL WIRESHIELD



SECTION B-B

- △ MATERIAL:
 HARNESS - 35% GLASS FILLED PA66, BLACK
 ALT MAT'L: HARNESS - 30% GLASS FILLED sPS, BLACK
 SPACER - 40% GLASS FILLED PPS+PA66, RED
 ALT MAT'L: 30% GLASS FILLED sPS, RED
 ALT MAT'L: 35% GLASS FILLED PA66, RED
 COVER - 35% GLASS FILLED PA66, BLACK
 ALT MAT'L: COVER - 30% GLASS FILLED LCP, BLACK
 CAM LEVER - 35% GLASS FILLED NYLON, GRAY
 GROMMET - SILICONE, BROWN
 PERIMETER SEAL - SILICONE, GREEN

2. CAM LEVER AND SPACER ARE SHIPPED IN PRE-LATCH POSITION.
 △ SEE PINOUT CHART ON SHEETS 2, 3 AND 4 FOR CLOSED CIRCUIT CONFIGURATIONS.
 △ CAVITIES WITH A NUMERIC SYMBOL INDICATES CLOSED TERMINAL LOCATIONS.
 BLANK CAVITIES INDICATE OPEN TERMINAL HOLE LOCATIONS.

SEE PINOUT CHARTS
PART NUMBER

DIMENSIONS: mm 		TOLERANCES UNLESS OTHERWISE SPECIFIED: 9 PLC ±0.3 1 PLC ±0.10 5 PLC ±0.15 4 PLC ±0.2 ANGLES ±°		DWN R. VESTAL 01AUG2003 CHK D. STRAUSSER 01AUG2003 APVD D. STRAUSSER 01AUG2003 PRODUCT SPEC APPLICATION SPEC WEIGHT CUSTOMER DRAWING		Tyco Electronics Harrisburg, PA 17105-3608 NAME: 46 WAY PCM CONNECTOR HARNESS ASSEMBLY SIZE: 00779 C=1438082 SCALE: 4:1 SHEET 1 OF 5		RESTRICTED TO	
--------------------	--	---	--	--	--	--	--	---------------	--

Table with columns: REVISIONS, DATE, DWN, APVD. Row 1: SEE SHEET 1

Large terminal hole position chart. Columns represent terminal numbers (1-46) and rows represent different part configurations with associated pin-out information.

TERMINAL HOLE POSITION

PART NUMBER FORD PART NUMBER

PIN-OUT CHART KEYING OPTION "B" with symbol

Technical drawing header containing dimensions table, tolerances, Tyco Electronics logo, product name (46 WAY PCM CONNECTOR HARNESS ASSEMBLY), and drawing identification (A1100779).

Mouser Electronics

Authorized Distributor

Click to View Pricing, Inventory, Delivery & Lifecycle Information:

[TE Connectivity:](#)

[2-1438082-7](#)