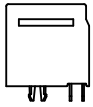
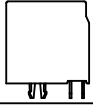
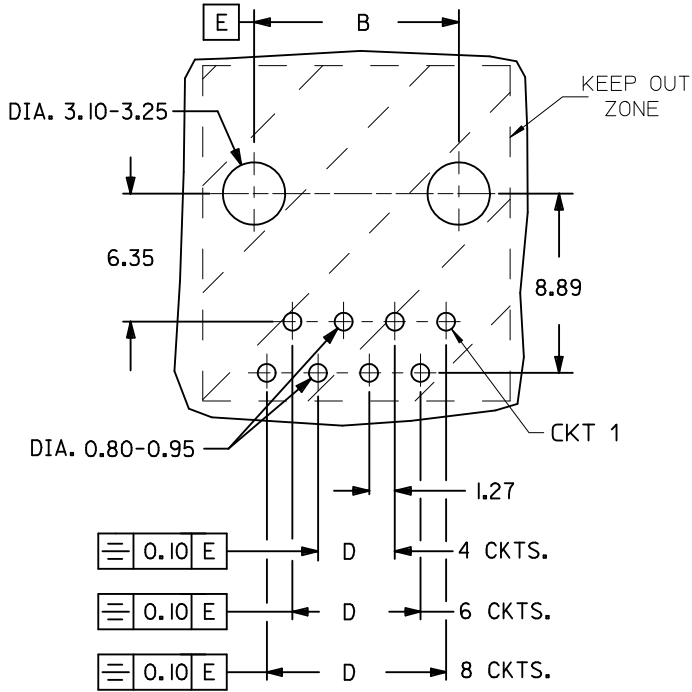





PART NUMBERS FOR JACK WITH RIBS									
TYPE	PACKAGING	POS. 4	TOOLED	POS. 6	TOOLED	POS. 6	TOOLED	POS. 8	TOOLED
		4 CKTS.		4 CKTS.		6 CKTS.		8 CKTS.	
	TRAY	95522-2447	X	95522-2647	X	95522-2667	X	95522-2887	X
	TUBE					95522-2617	X		
						SEE NOTE 8 SH.1			

PART NUMBERS FOR JACK WITHOUT RIBS									
TYPE	PACKAGING	POS. 4	TOOLED	POS. 6	TOOLED	POS. 6	TOOLED	POS. 8	TOOLED
		4 CKTS.		4 CKTS.		6 CKTS.		8 CKTS.	
	TRAY	95522-2441	X	95522-2641	X	95522-2661	X	95522-2881	X
	TUBE					95522-2611	X		



**MOUNTING HOLE PATTERNS**  
(SEE FROM COMPONENT SIDE)  
ALL DIMENSIONS REF DIMENSIONS

DIM. / TYPE	POS. 4	POS. 6		POS. 8
	4 CKTS.	4 CKTS.	6 CKTS.	8 CKTS.
A	11.18	13.21	13.21	15.24
B	7.62	10.16	10.16	11.43
C (WITH RIBS)	14.00	16.00	16.00	18.00
D	3.81	3.81	6.35	8.89
H	7.82	9.88	9.88	11.94
J	5.64	6.70	6.70	6.30
K	3.07	4.06	4.06	4.06

<b>REMOVED PLATING OPTIONS</b> EC NO: IPG2012-0698 DRW:DBYRNES 2012/04/02 CHKD:MSHAHAN 2012/04/17 APPR:EFOLAN 2012/06/28	<b>QUALITY SYMBOLS</b> ▽=0 ◻=0	<b>GENERAL TOLERANCES (UNLESS SPECIFIED)</b> mm INCH 4 PLACES ± --- ± --- 3 PLACES ± --- ± --- 2 PLACES ± 0.25 ± --- 1 PLACE ± 0.35 ± --- ANGULAR ± 2°	<b>DIMENSION STYLE</b> MM ONLY DRAWN BY: KNOLLER DATE: 04/08/27 CHECKED BY: FCARABET DATE: 04/08/30 APPROVED BY: KNOLLER DATE: 04/08/30	SCALE: 1:1 DESIGN UNITS: METRIC THIRD ANGLE PROJECTION	HIGH PROFILE TOP ENTRY JACK   MOLEX INCORPORATED MATERIAL NO. SEE CHART DOCUMENT NO. SD-95522-001 SHEET NO. 2 OF 2
	DRAFT WHERE APPLICABLE MUST REMAIN WITHIN DIMENSIONS		SIZE: A3 THIS DRAWING CONTAINS INFORMATION THAT IS PROPRIETARY TO MOLEX INCORPORATED AND SHOULD NOT BE USED WITHOUT WRITTEN PERMISSION		
	REMOVED PLATING OPTIONS		QUALITY SYMBOLS		
	EC NO: IPG2012-0698		GENERAL TOLERANCES (UNLESS SPECIFIED)		