

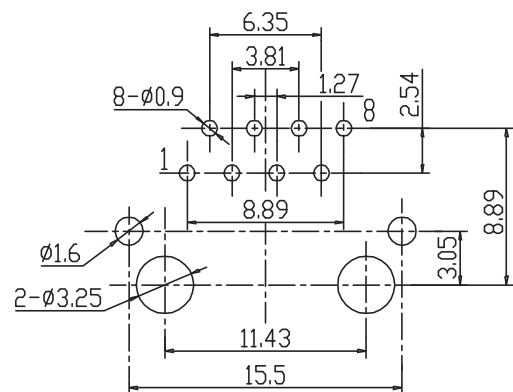
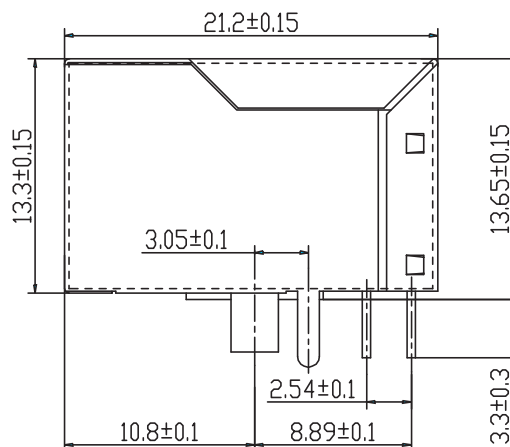
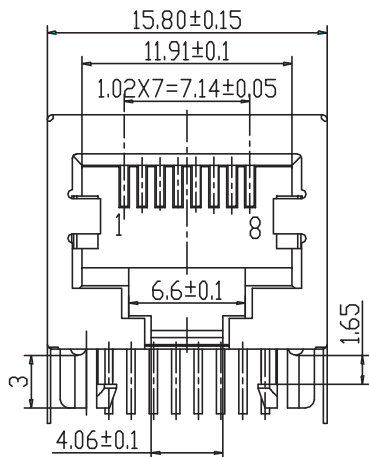
1

2

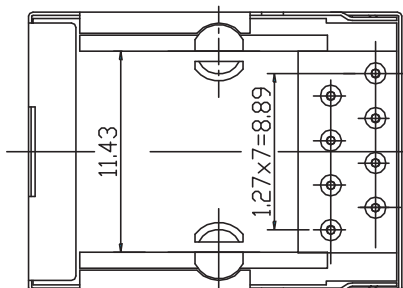
3

4

5



PCB LAYOUT - COMPONENT VIEW



TECHNICAL CHARACTERISTICS

MATERIAL
 INSULATOR MATERIAL: PBT
 FLAMMABILITY RATING: UL94-V0
 COLOR: BLACK
 CONTACT MATERIAL: COPPER ALLOY
 CONTACT TYPE: STAMPED
 CONTACT PLATING: SELECTIVE GOLD
 SHIELDING: BRONZE NI PLATED
 QUALITY CLASS: 500 MATING CYCLES

ENVIRONMENTAL
 OPERATING TEMPERATURE: -40 °C UP TO 85 °C
 COMPLIANCE: LEAD FREE AND ROHS

ELECTRICAL
 CURRENT RATING: 1.5 A
 WORKING VOLTAGE: 120 VAC
 INSULATION RESISTANCE: >500 MΩ
 DIELECTRIC WITHSTANDING VOLTAGE: 1 000 VAC/MIN
 CONTACT RESISTANCE: 20 mΩ MAX

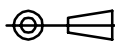
STANDARD
 CERTIFIED: E324776

SOLDERING
 JEDEC LEAD FREE WAVE SOLDERING PROCESS

PACKAGING
 TRAY

RoHS Compliant

PROJECTION:



GENERAL TOLERANCE

.X = +/- 0.2

.XX = +/- 0.15



WÜRTH ELEKTRONIK

APPROVAL: RJ

UNIT: MM

SCALE:

SHEET: 1/1

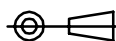

DRAW:

DESCRIPTION: HORIZONTAL SHIELDED 3.05mm REAR GROUNDING POST
 8P8C MODULAR JACK TAB DOWN

WERI PART NO: 615 008 142 621

SIZE

A4

G					UNIT: MM SCALE: SHEET: 1/1 DRAW:		DESCRIPTION: HORIZONTAL SHIELDED 3.05mm REAR GROUNDING POST 8P8C MODULAR JACK TAB DOWN WERI PART NO: 615 008 142 621	SIZE A4
F								
E	03-JAN-14	UL & TEMP UPDATE	QL					
D	09-SEP-13	DWG REVIEW	QL					
C	22-MAR-11	CAT 5	GG					
B	06-OCT-09	UL STANDARD	JP					
A	20-JUN-08	PDF	CH					
REV	DATE	FILE	BY					

Mouser Electronics

Authorized Distributor

Click to View Pricing, Inventory, Delivery & Lifecycle Information:

[Wurth Electronics:](#)

[615008142621](#)