

4

3

2

1

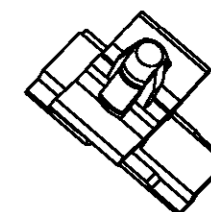
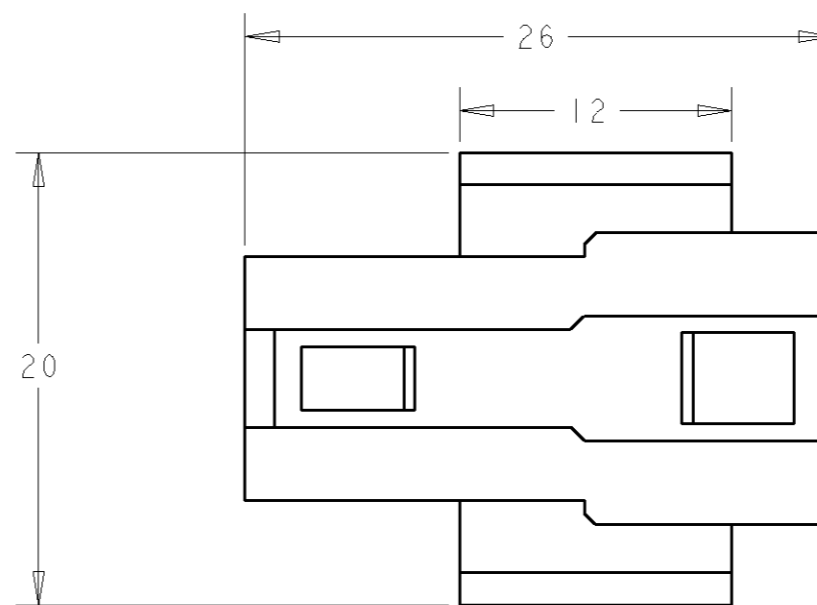
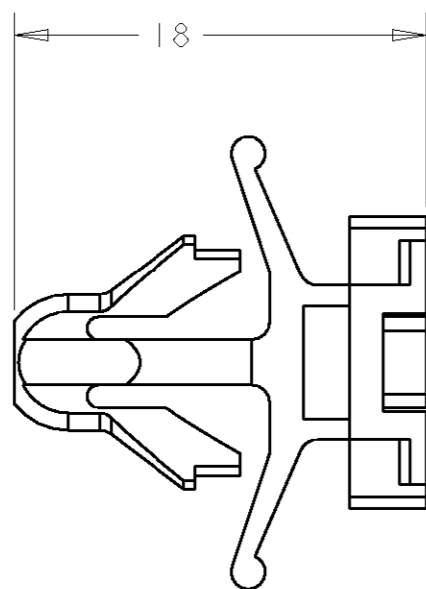
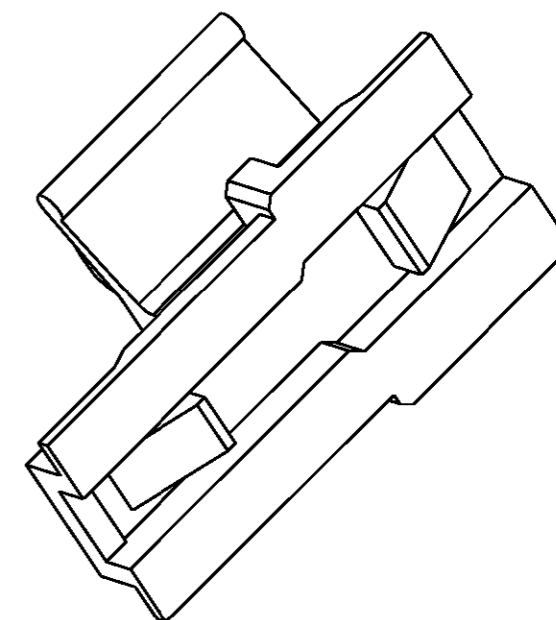
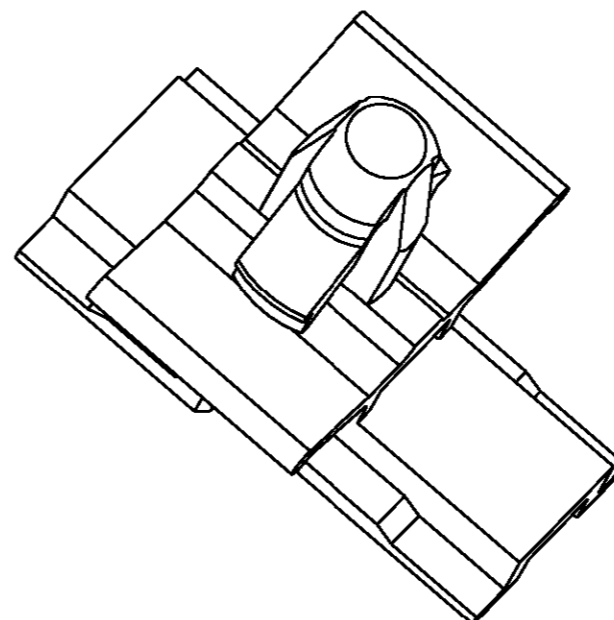
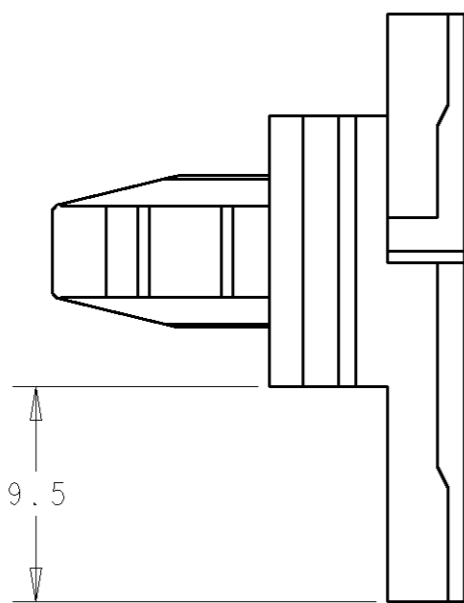
THIS DRAWING IS UNPUBLISHED.

RELEASED FOR PUBLICATION

© COPYRIGHT

ALL RIGHTS RESERVED.

LOC	DIST	REVISIONS			
P	LTR	DESCRIPTION	DATE	DWN	APVD
E	B	B1 REVISED PER ECO-11-005294	12APR11	RK	HMR




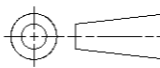
SCALE 1:1

NOTE:
PRODUCT MAY EXHIBIT A GREEN TINGE DUE TO COPPER SALTS
IN THE NATURAL RESIN MATERIAL ON PART NUMBER 345484-1

PANEL THICKNESS - 0.8 - 1.6mm
PANEL HOLE SIZE - 6.5 - 7.0 mm
MINIMUM PULL OUT FORCE - 10 KG

NATURAL	NYLON 66	345484-1
COLOUR	MATERIAL	PART NUMBER

DWN R. RUNAGAL 14AUG1990		 TE Connectivity			
CHK P. TANNER 14AUG1990					
APVD J. PALMER 14AUG1990					
PRODUCT SPEC		NAME			
-		DUAL PURPOSE BODY CLIP FOR 040 OR 070 MULTILOCK HOUSINGS			
APPLICATION SPEC		-			
-		SIZE	CAGE CODE	DRAWING NO	RESTRICTED TO
MATERIAL -		A3	00779	C=345484	-
FINISH -		CUSTOMER DRAWING		SCALE 3:1	SHEET 1 OF 1 REV B1

DIMENSIONS:	TOLERANCES UNLESS OTHERWISE SPECIFIED:
mm	
	0 PLC ±-
	1 PLC ±0.5
	2 PLC ±0.5
	3 PLC ±0.5
	4 PLC ±-
	ANGLES ±5
MATERIAL	FINISH
-	-

Mouser Electronics

Authorized Distributor

Click to View Pricing, Inventory, Delivery & Lifecycle Information:

[TE Connectivity:](#)

[345484-1](#)