



Product Features:

- Gigabit (10/100/1000) Ethernet RJ45
- IEEE802.3ab Compliant
- 350uH min OCL at 8mA DC Bias Across the Full Temp Range
- 30µ" Gold Plating (min) on Contacts
- 100% Compliance Testing
- 1500Vrms Hi-Pot

Part Number		Circuit	LED's (L/R)	Return Loss (min)				PHY Drive
Standard Temp (0 to 70°C)	Extended Temp (-40 to +85°C)			1-40MHz	60MHz	80MHz	100MHz	
HFJV1-1G01RL	HFJV1-E1G01RL	A	None	-18dB	-14dB	-12dB	-10dB	Current
HFJV1-1G01-L11RL	HFJV1-E1G01-L11RL	A	G/G	-18dB	-14dB	-12dB	-10dB	Current
HFJV1-1G01-L12RL	HFJV1-E1G01-L12RL	A	G/Y	-18dB	-14dB	-12dB	-10dB	Current
HFJV1-1G06RL	HFJV1-E1G06RL	B	None	-18dB	-14dB	-12dB	-10dB	Current
HFJV1-1G06-L11RL	HFJV1-E1G06-L11RL	B	G/G	-18dB	-14dB	-12dB	-10dB	Current
HFJV1-1G06-L12RL	HFJV1-E1G06-L12RL	B	G/Y	-18dB	-14dB	-12dB	-10dB	Current
HFJV1-1G11RL	HFJV1-E1G11RL	C	None	-18dB	-14dB	-12dB	-10dB	Current
HFJV1-1G11-L11RL	HFJV1-E1G11-L11RL	C	G/G	-18dB	-14dB	-12dB	-10dB	Current
HFJV1-1G11-L12RL	HFJV1-E1G11-L12RL	C	G/Y	-18dB	-14dB	-12dB	-10dB	Current
HFJV1-1G16RL	HFJV1-E1G16RL	D	None	-18dB	-14dB	-12dB	-10dB	Current
HFJV1-1G16-L11RL	HFJV1-E1G16-L11RL	D	G/G	-18dB	-14dB	-12dB	-10dB	Current
HFJV1-1G16-L12RL	HFJV1-E1G16-L12RL	D	G/Y	-18dB	-14dB	-12dB	-10dB	Current
HFJV1-1G41RL	HFJV1-E1G41RL	E	None	-18dB	-14dB	-12dB	-10dB	Voltage
HFJV1-1G41-L11RL	HFJV1-E1G41-L11RL	E	G/G	-18dB	-14dB	-12dB	-10dB	Voltage
HFJV1-1G41-L12RL	HFJV1-E1G41-L12RL	E	G/Y	-18dB	-14dB	-12dB	-10dB	Voltage
HFJV1-1G46RL	HFJV1-E1G46RL	F	None	-18dB	-14dB	-12dB	-10dB	Voltage
HFJV1-1G46-L11RL	HFJV1-E1G46-L11RL	F	G/G	-18dB	-14dB	-12dB	-10dB	Voltage
HFJV1-1G46-L12RL	HFJV1-E1G46-L12RL	F	G/Y	-18dB	-14dB	-12dB	-10dB	Voltage
HFJV1-LTQ1-L11RL	HFJV1-ELTQ1-L11RL	F	G/G	-18dB	-14dB	-12dB	-10dB	Voltage
HFJV1-LTQ1-L12RL	HFJV1-ELTQ1-L12RL	F	G/Y	-18dB	-14dB	-12dB	-10dB	Voltage
HFJV1-LTQ1-L14RL	HFJV1-ELTQ1-L14RL	F	G/O	-18dB	-14dB	-12dB	-10dB	Voltage

- Notes:
1. LED Key : G = Green, Y = Yellow, O = Orange
 2. Other LED colors, bi-colors, polarities, and current limiting versions available
 3. Unshielded available
 4. Part specific datasheets available
 5. The 1G11 and 1G16 circuits are recommended for new designs when using current drive PHYs

For additional information contact your [local representative](#), or HALO's support staff at (650) 903-3800 or info@haloelectronics.com

HALO Gigabit Ethernet Family of FastJacks

Circuit A



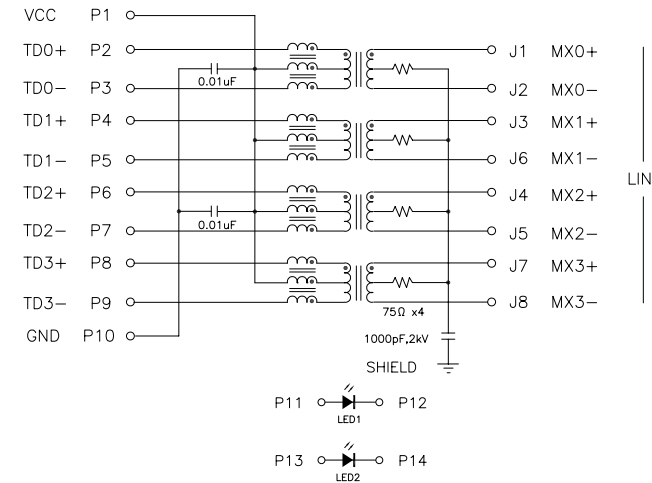
Circuit B



Circuit C



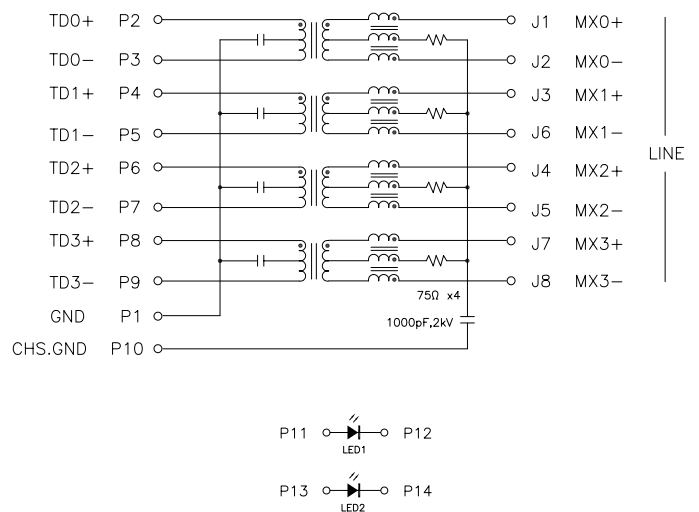
Circuit D

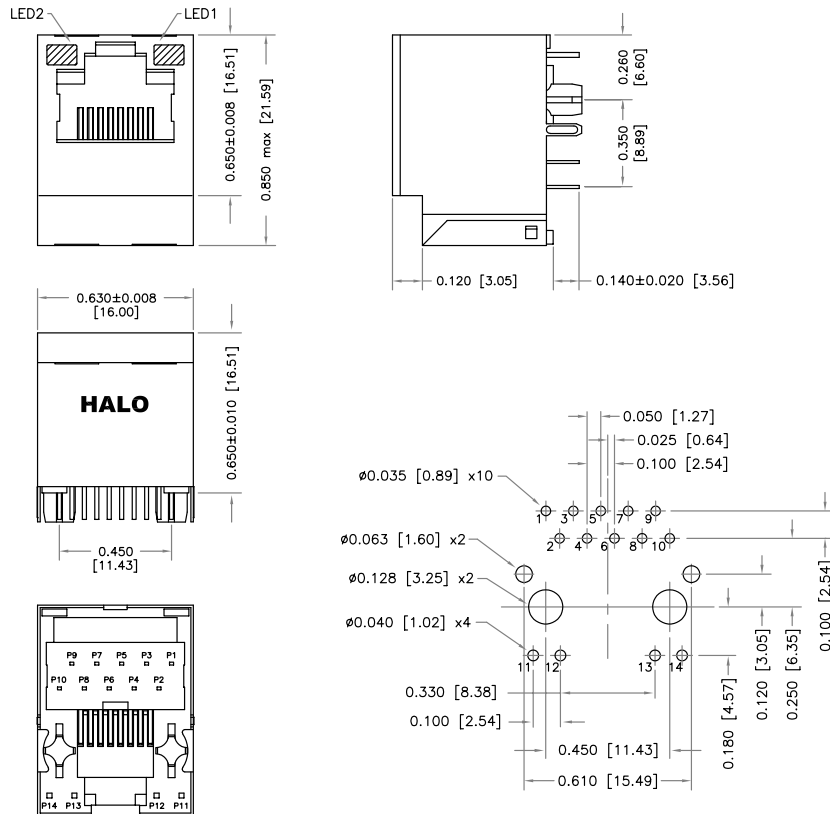


Circuit E



Circuit F





Recommended PCB Layout (Component Side)

* Parts numbers without LED's omit pins 11 through 14

Dimensions: inch [mm]



2880 Lakeside Drive #116
 Santa Clara, CA 95054
 (650) 903-3800
www.haloelectronics.com

HALO® Electronics is a leading supplier of high quality communication magnetics including signal transformers, filters, CMR chokes, PoE power transformers, DC/DC converters, and integrated Ethernet connectors. HALO's leading edge technology solutions are manufactured in ISO9001 and ISO14001 factories offering high quality products at a competitive price.

Mouser Electronics

Authorized Distributor

Click to View Pricing, Inventory, Delivery & Lifecycle Information:

HALO Electronics:

[HFJV1-1G16RL](#) [HFJV1-1G16-L12RL](#) [HFJV1-1G11RL](#) [HFJV1-1G01-L12RL](#) [HFJV1-1G01-L11RL](#) [HFJV1-1G11-L12RL](#) [HFJV1-1G16-L11RL](#) [HFJV1-1G11-L11RL](#) [HFJV1-1G01RL](#) [HFJV1-1G41RL](#) [HFJV1-1G06-L11RL](#) [HFJV1-1G46-L12RL](#) [HFJV1-E1G01-L12RL](#) [HFJV1-E1G01RL](#) [HFJV1-E1G41-L11RL](#) [HFJV1-1G06RL](#) [HFJV1-E1G46-L11RL](#) [HFJV1-E1G16RL](#) [HFJV1-E1G41RL](#) [HFJV1-E1G06RL](#) [HFJV1-E1G01-L11RL](#) [HFJV1-E1G06-L12RL](#) [HFJV1-E1G11-L11RL](#) [HFJV1-1G06-L12RL](#) [HFJV1-E1G11RL](#) [HFJV1-E1G46-L12RL](#) [HFJV1-1G41-L11RL](#) [HFJV1-E1G41-L12RL](#) [HFJV1-1G46RL](#) [HFJV1-1G46-L11RL](#) [HFJV1-1G41-L12RL](#) [HFJV1-E1G06-L11RL](#) [HFJV1-E1G16-L11RL](#) [HFJV1-E1G16-L12RL](#) [HFJV1-E1G46RL](#) [HFJV1-E1G11-L12RL](#) [HFJV1-E1G02-L56RL](#)