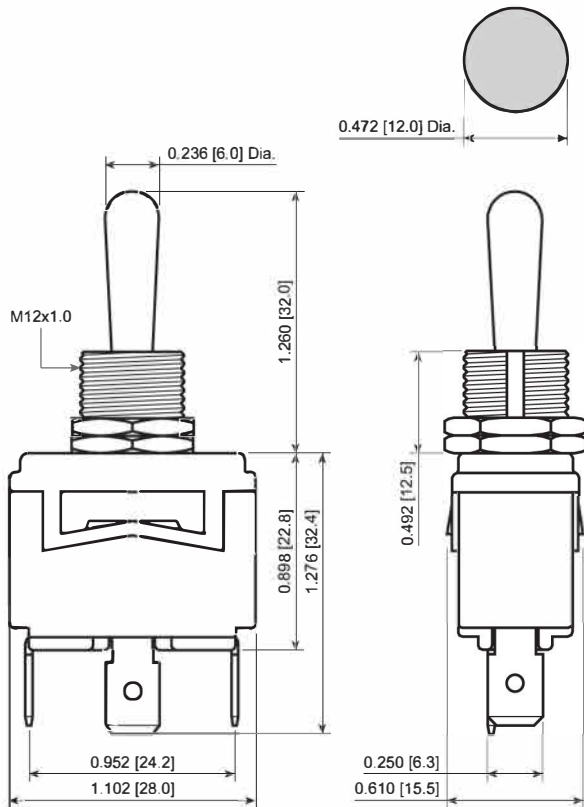


ST1 Series

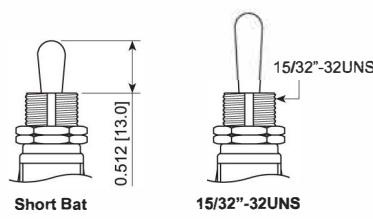


TOGGLE

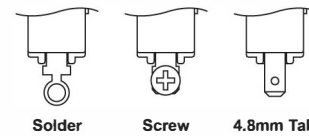
Panel Cutout



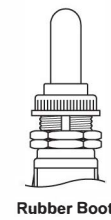
Actuator Options Bushing Options



Terminal Options



Water Protection Options



FEATURES:

- Heavy Duty Rating with UL Approvals
- Many Functions Available
- Tab, Screw, and Solder Terminal Options
- Rubber Boot for Water and Dust Protection

SPECIFICATIONS:

RATING: MAINTAINED SWITCHES:
 20A 125VAC [cULus]
 15A 250VAC [cULus]
 2HP 125-250VAC [cULus]

MOMENTARY SWITCHES:
 20A 125VAC [cULus]
 15A 250VAC [cULus]
 1.5HP 125-250VAC [cULus]

TEMPERATURE: -20°C to 85°C
ELECTRICAL LIFE: 6,000 Cycles
CONTACT RESISTANCE: 50mΩ Max.
INSULATION RESISTANCE: 800MΩ Min. at 500VDC
DIELECTRIC STRENGTH: 1,500VAC for 1 Minute

MATERIALS:

Body: Phenolic, UL94 V-0
Actuator: Nickel Plated Brass
Bushing: Nickel Plated Brass
Housing: Stainless Steel
Contacts: Silver Alloy
Terminals: Silver Plated Brass

Series	Terminal	Function	Rating	Actuator Type	Bushing Type
ST1 - 1 Pole	1 - 4.8mm Tabs 2 - Solder 4 - 6.3mm Tabs 6 - Screw	1 Pole: 1 - Off-On 3 - On-On 4 - Off(On), Middle-End 5 - On-Off-On C - On-Off(On) D - (On)-Off-(On)	D - 20A 125VAC	0 - Standard Bat 1 - Short Bat	0 - M12x1.0 2 - 15/32"-32UNS

Variable Length:
Wxx - Wire Leads (xx in Inches)



ST161D10



Accessories Series	Type	Options
ACC	Rubber Boot: B03 - For Standard Bat	Colors for Boot: 2 - Black
	Hardware N02 - Knurled Nut	Threading: 3 - 15/32"-32UNS 5 - M12x1.0

EXAMPLE PART NUMBERS:

ST121D00	1P Off-On Standard Actuator/Bushing, Solder
ST123D00	1P On-On Standard Actuator/Bushing, Solder
ST124D00	1P Off-(On) Standard Actuator/Bushing, Solder
ST125D00	1P On-Off-On Standard Actuator/Bushing, Solder
ST12DD00	1P (On)-Off-(On) Standard Actuator/Bushing, Solder
ST141D00	1P Off-On Standard Actuator/Bushing, 0.250" QC
ST143D00	1P On-On Standard Actuator/Bushing, 0.250" QC
ST144D00	1P Off-(On) Standard Actuator/Bushing, 0.250" QC

Mouser Electronics

Authorized Distributor

Click to View Pricing, Inventory, Delivery & Lifecycle Information:

E-Switch:

[ST14DD00](#) [ST143D00](#) [ST145D00](#) [ST141D00](#) [ST144D00](#) [ST145D10](#) [ST161D00](#) [ST141D10](#) [ST16DD00](#)
[ST164D00](#) [ST16MD00](#) [ST161D02](#) [ST165D00](#) [ST123D00](#) [ST16MD02](#) [ST143D10](#) [ST124D00](#) [ST12DD00](#)
[ST144D10](#) [ST14MD02](#) [ST14DD10](#) [ST163D00](#) [ST121D00](#) [ST14CD00](#) [ST161D10](#) [ST125D00](#)