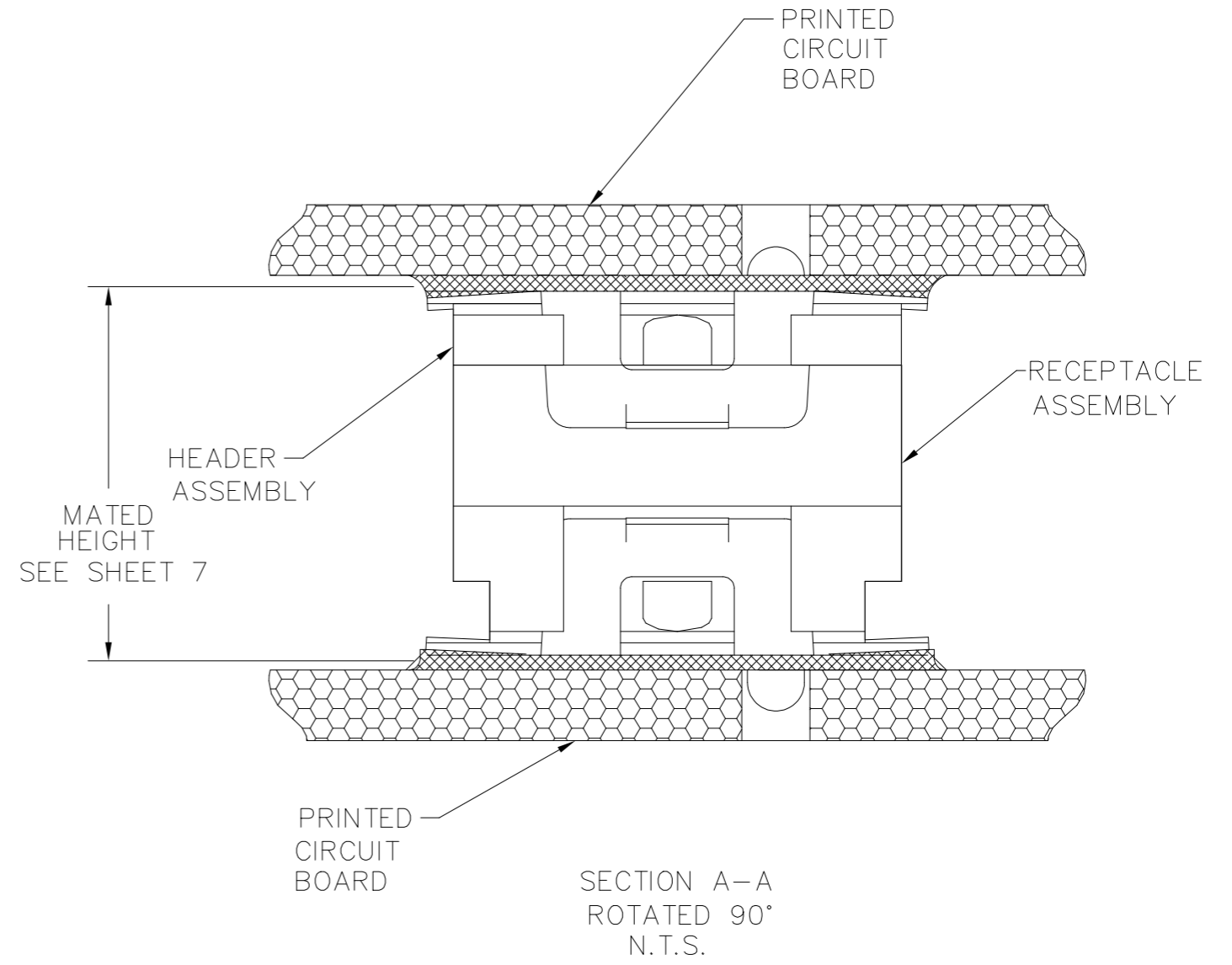
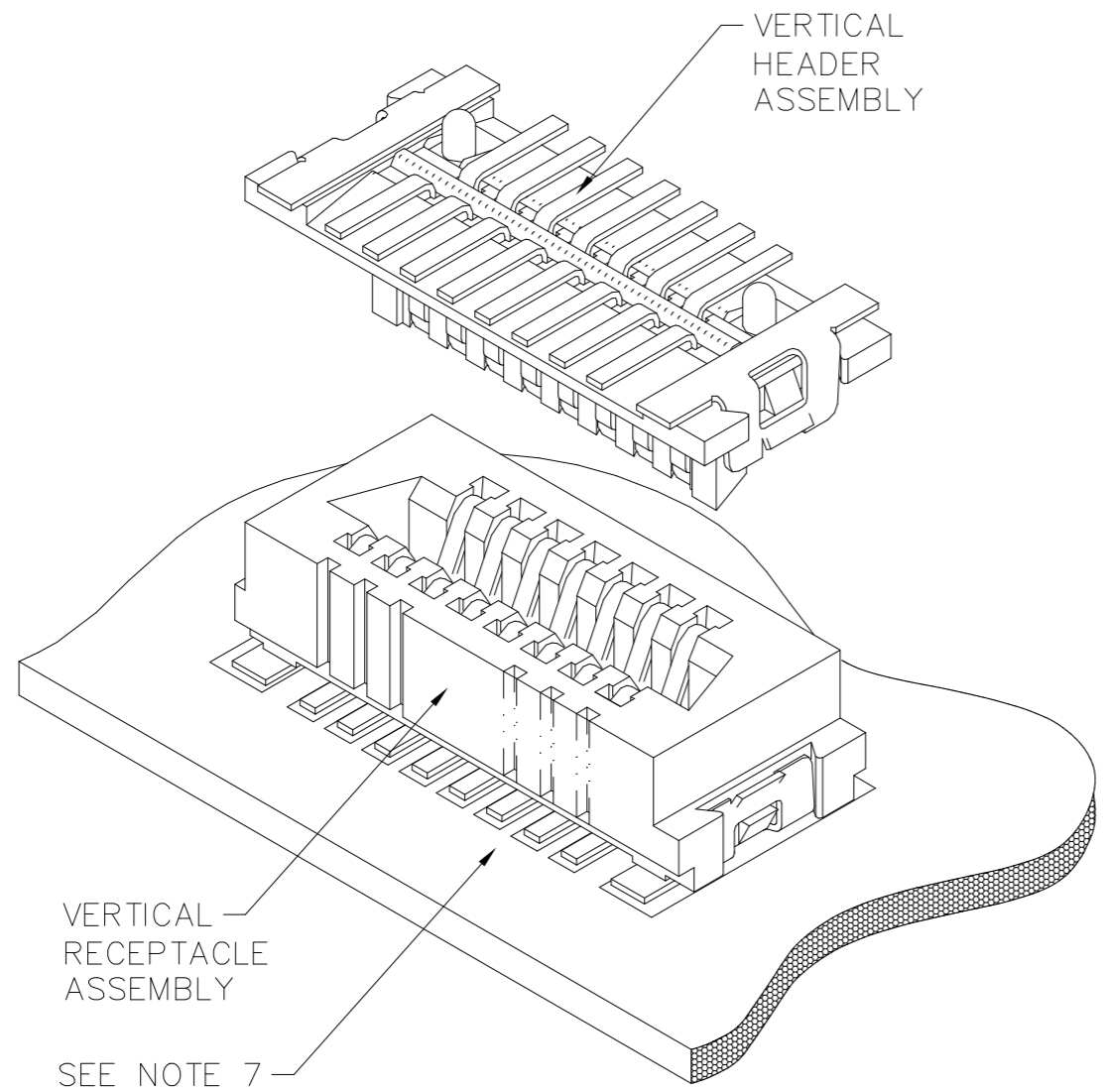


© 2016 AFCI  
 Amphenol FCI

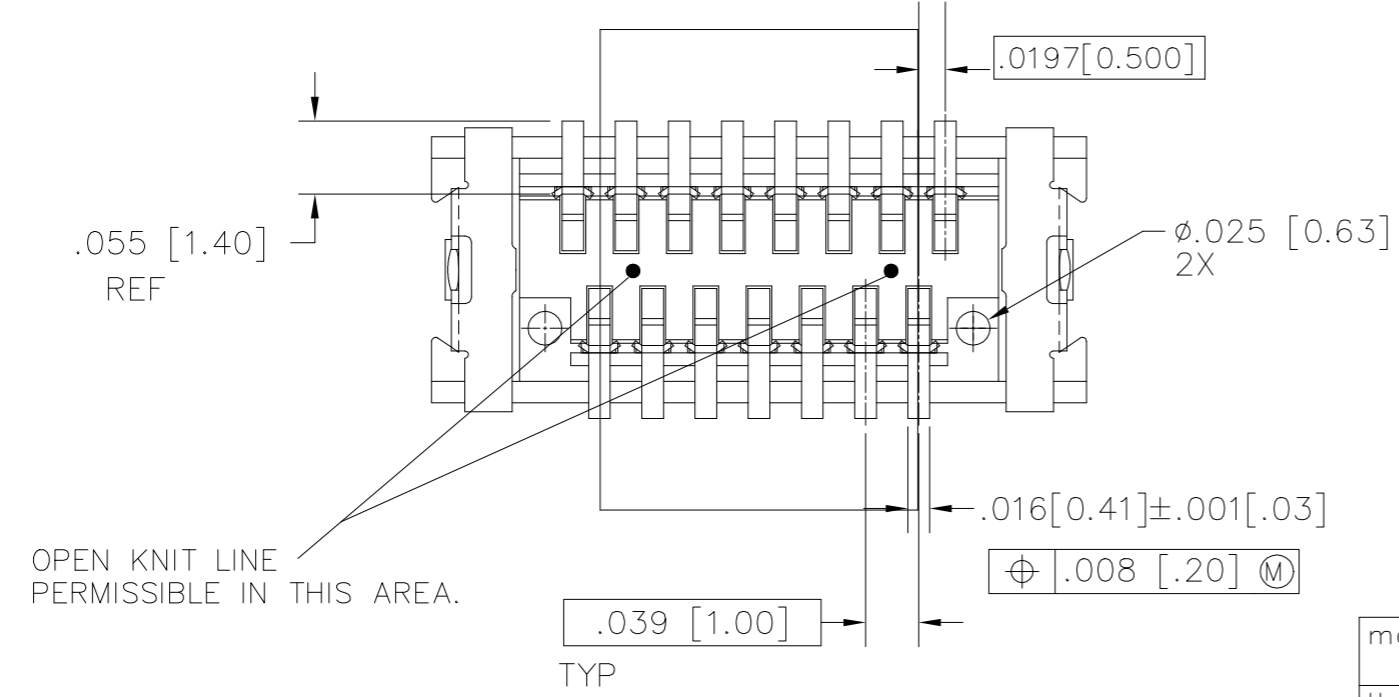
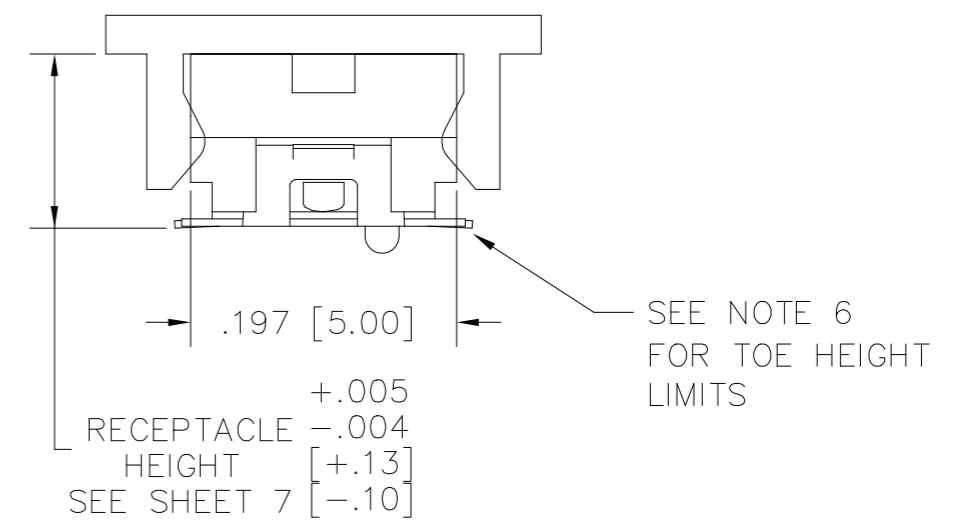
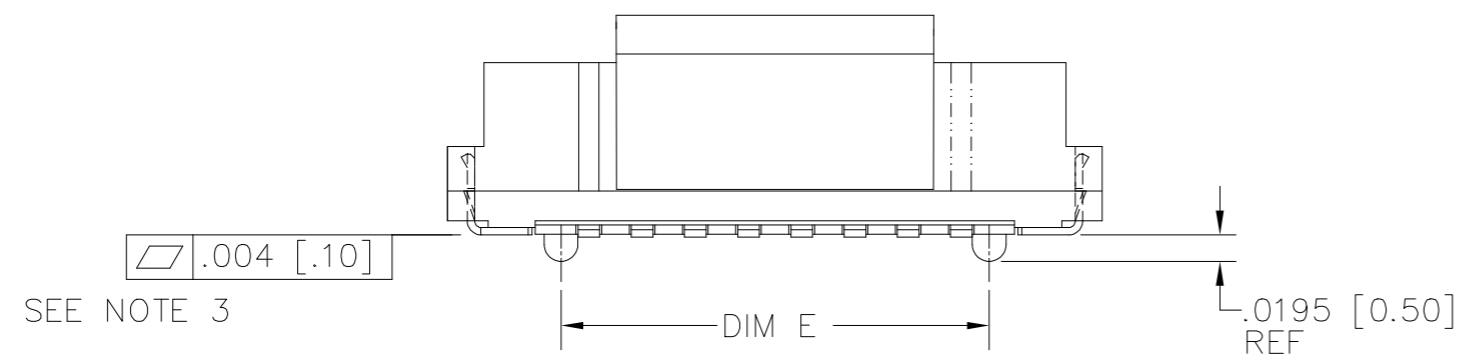
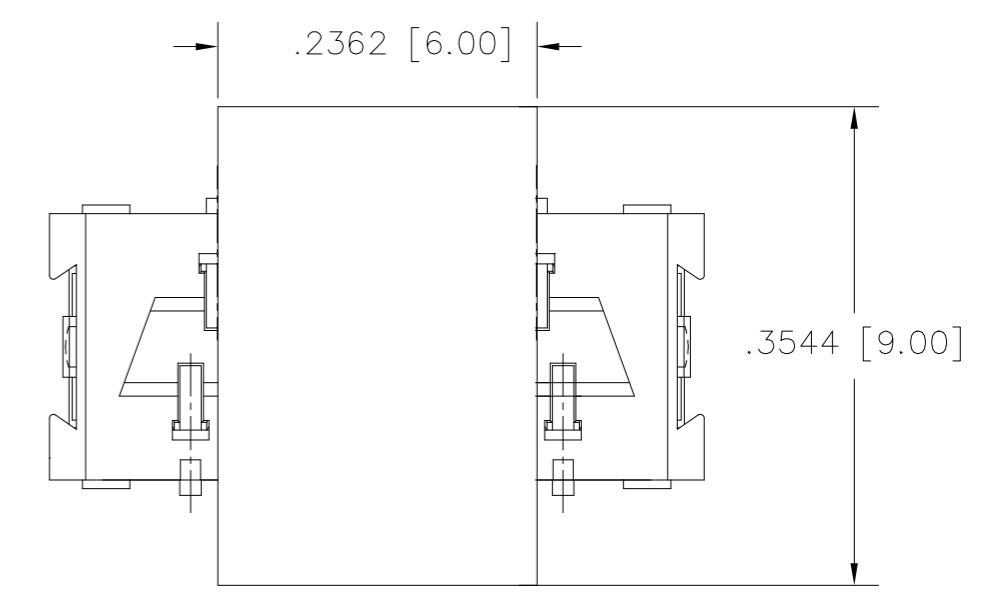
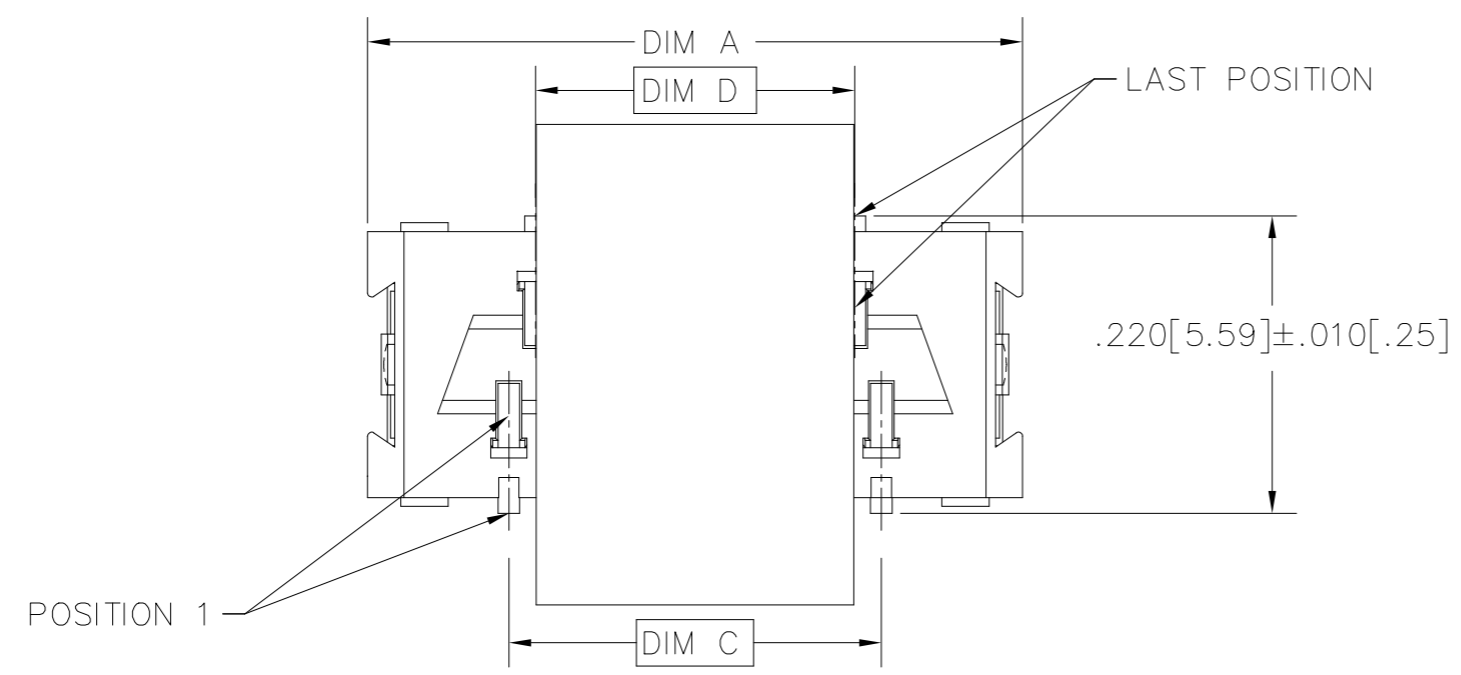


mat'l. code		surface		tolerance		projection		product family	
		ISO 1302 ✓		ISO 406 ISO		1101		CONAN®	
ltr	ecn no	dr	date	tolerances unless otherwise specified		INCH/MM		title	
AP	ELX-N-48730	Alan	2023-07-12	angles	.0±.30	↔		CONAN® CONNECTOR ASSEMBLY	
AH	ELX-N-22454	EH	2015-10-11	linear	.00±.20	↔			
AJ	-	EH	2015-12-12	0°±x'	.000±.10	↔		scale 1:1	
AK	ELX-N-26578	TONY	2017-04-07	dr	Eric Huang	2015-10-11		dwg no	
AL	ELX-N-26810	TONY	2017-04-26	engr	Alan Ni	2023-07-12		sheet 1 of 7	
AM	ELX-N-35652	Bob	2019-12-17	chr	LQ Lei	2023-07-12		size	
AN	ELX-N-37277	Bob	2020-06-04	appd	Tim Yao	2023-07-12		A3	
sheet index		revision	AL	AM	AN	AP			
		sheet	1	7	2	7			



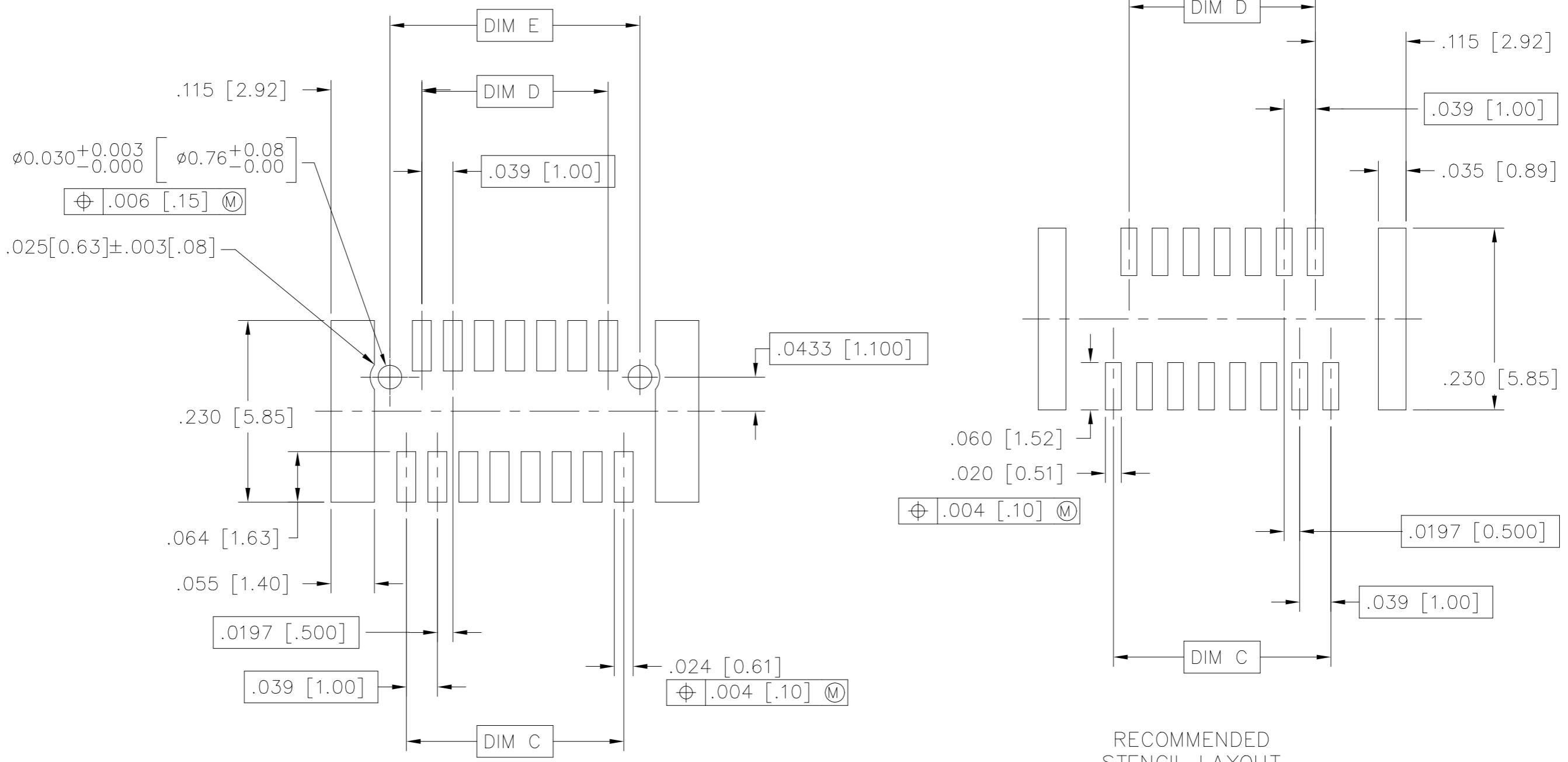
Amphenol FCI  
 © 2016 AFCI

PRODUCT NUMBER  
SEE TABLE



mat'l. code		surface	tolerance	projection	product family
		ISO 1302 ✓	ISO 406 ISO 1101		CONAN®
ltr	ecn no	dr	date	tolerances unless otherwise specified	title
AP				angles linear .0±.30 .00±.20 0°±x° .000±.10	CONAN® CONNECTOR ASSEMBLY
				scale 1:1	dwg no
					sheet 2 of 7 size
					91900 A3
					type Product Customer Drawing
sheet index	revision sheet				

PRODUCT NUMBER  
SEE TABLE

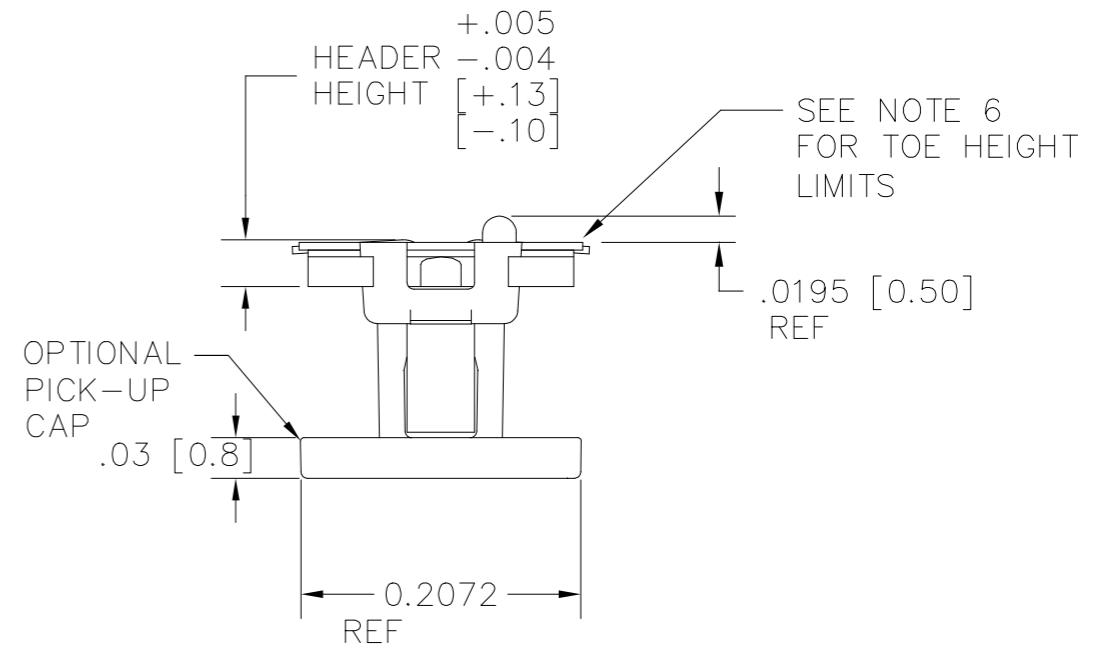
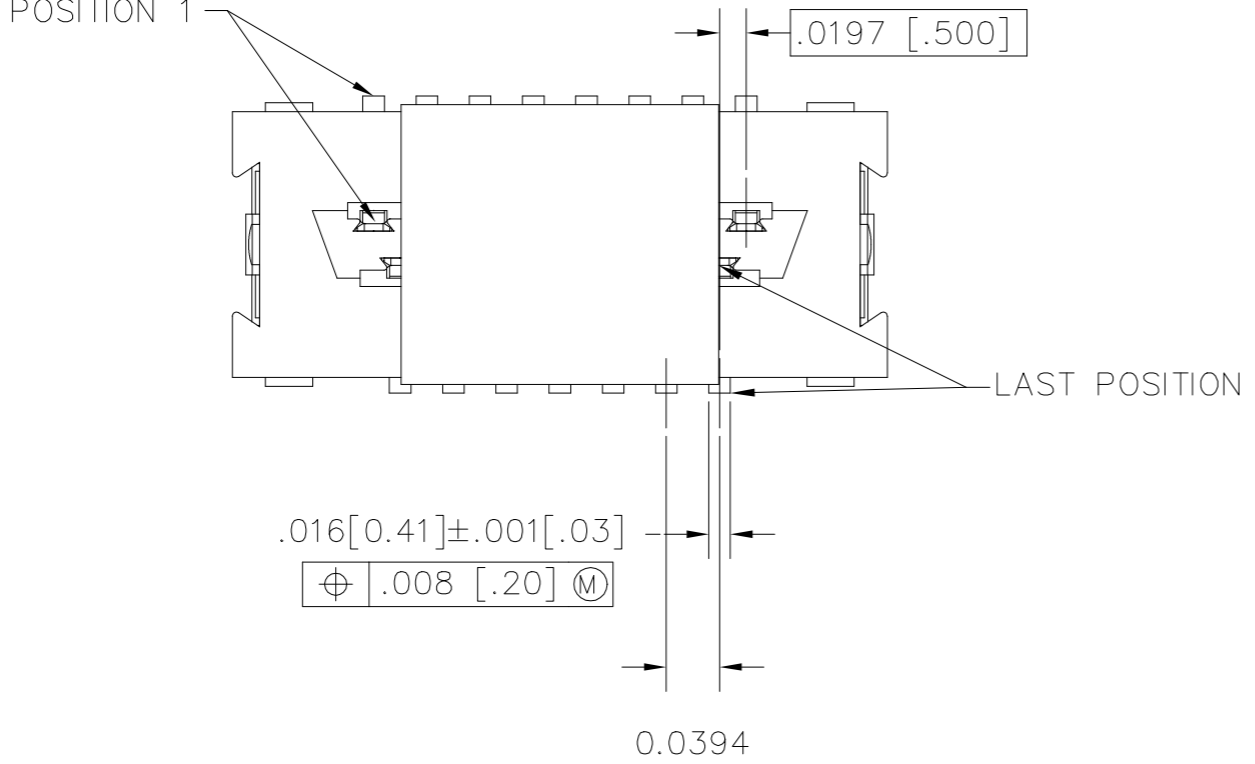
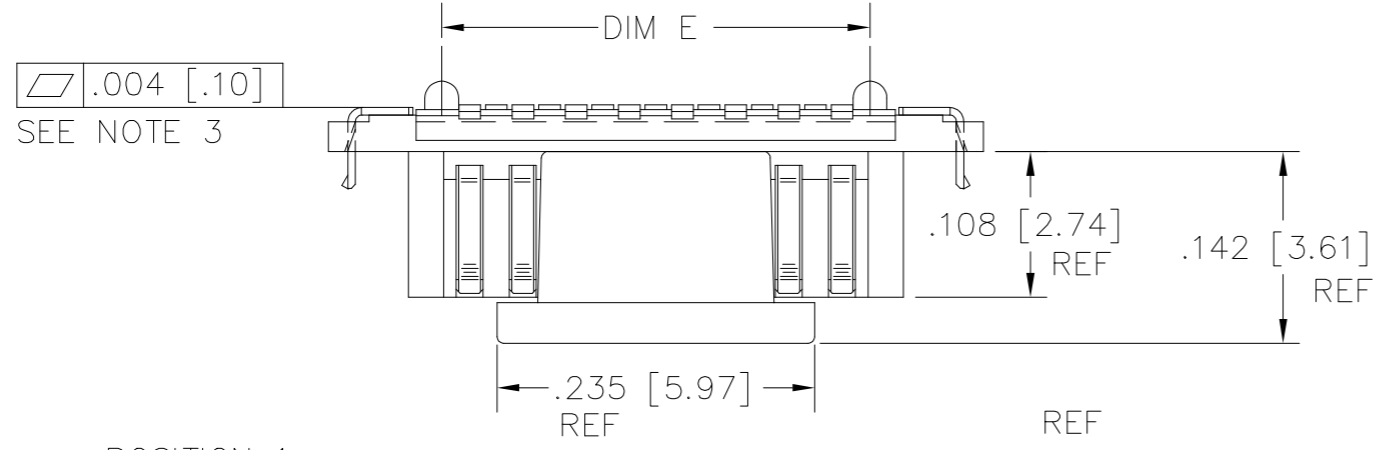
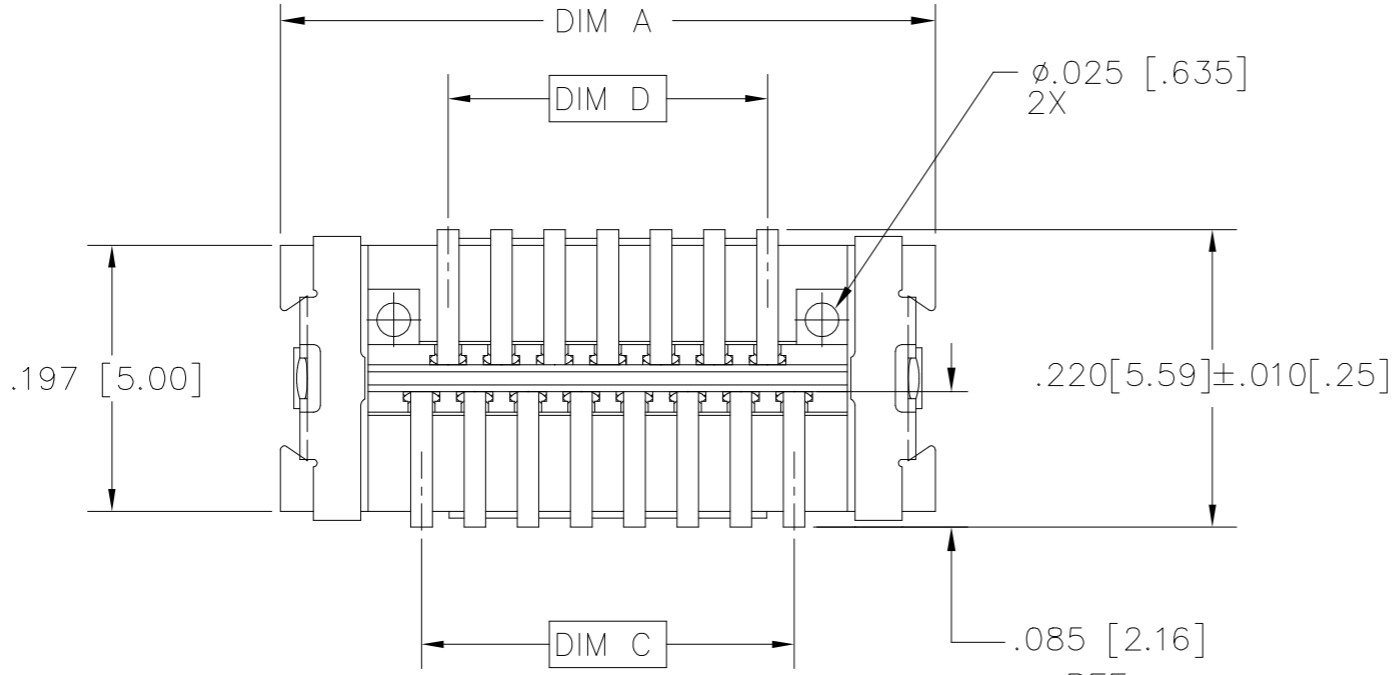


© 2016 AFCI

mat'l. code		surface		tolerance		projection		product family	
		ISO 1302 ✓		ISO 406 ISO 1101		1101		CONAN®	
ltr		ecn no		dr		date		title	
AP								CONAN® CONNECTOR ASSEMBLY	
				angles		linear		INCH/MM	
				0°±x'		.00±.10		scale 1:1	
		dr		Eric Huang		2019-12-17		dwg no	
		engr		Alan Ni		2023-07-12		sheet 3 of 7	
		chr		LQ Lei		2023-07-12		size	
		appd		Tim Yao		2023-07-12		A3	
sheet index		revision sheet						type	
								Product Customer Drawing	



PRODUCT NUMBER  
SEE TABLE



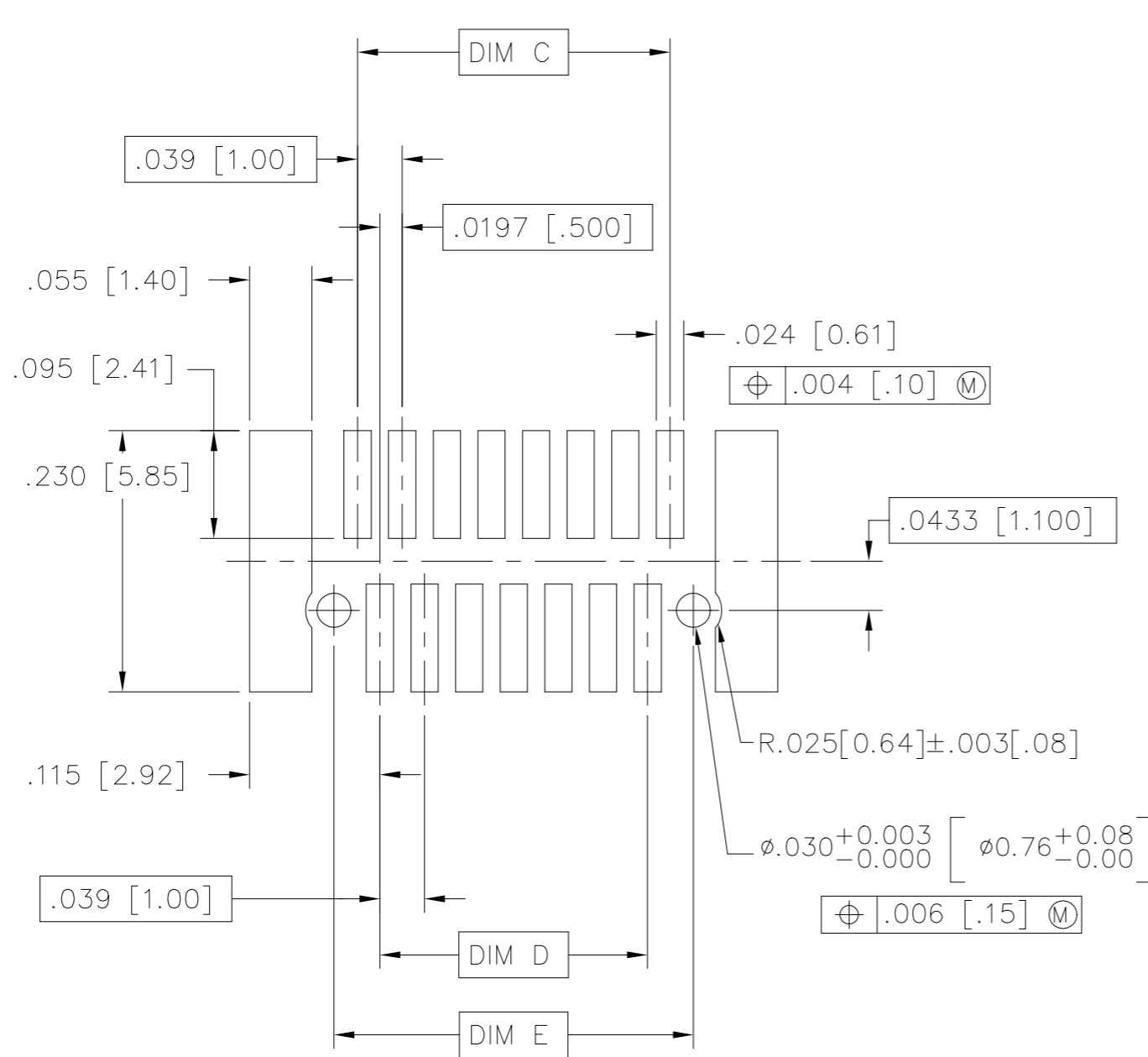
mat'l. code		surface		tolerance		projection		product family	
		ISO 1302 ✓		ISO 406 ISO		1101		CONAN®	
ltr		ecn no		dr		date		title	
AP								CONAN® CONNECTOR ASSEMBLY	
		angles		linear		INCH/MM		scale 1:1	
		0°±x'		.0±.30				dwg no	
				.00±.20				sheet 4 of 7 size	
				.000±.10				91900 A3	
		dr		Eric Huang		2019-12-17		type	
		engr		Alan Ni		2023-07-12		Product Customer Drawing	
		chr		LQ Lei		2023-07-12			
		appd		Tim Yao		2023-07-12			
sheet index		revision sheet							

Amphenol FCI

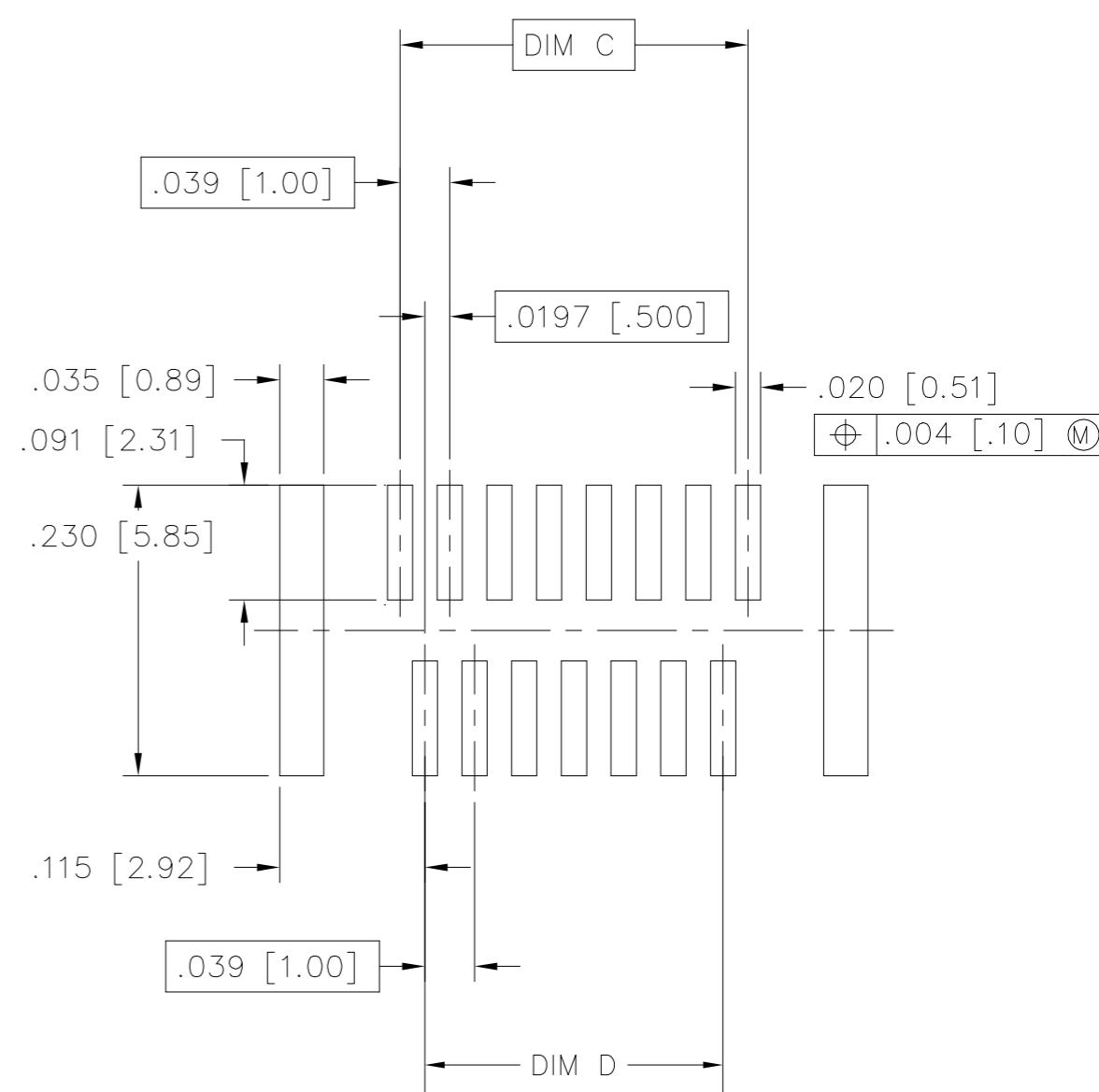
© 2016 AFCI



PRODUCT NUMBER  
SEE TABLE



RECOMMENDED  
PAD LAYOUT



RECOMMENDED  
STENCIL LAYOUT  
FOR HEADER



© 2016 AFCI

mat'l. code		surface ISO 1302 ✓		tolerance ISO 406 ISO 1101		projection 1101		product family CONAN®			
ltr	ecn no	dr	date	tolerances unless otherwise specified		INCH/MM		title CONAN® CONNECTOR ASSEMBLY			
AP				angles	linear	.0±.30		dwg no		sheet 5 of 7	size
				0°±x°		.00±.20		91900			A3
				dr	Eric Huang	2019-12-17	Amphenol FCI	type		Product Customer Drawing	
				engr	Alan Ni	2023-07-12					
				chr	LQ Lei	2023-07-12					
				appd	Tim Yao	2023-07-12					
sheet index	revision sheet										


PRODUCT NUMBER	POS	DIM "A"	DIM "C"	DIM "D"	DIM "E"
919TC-WXY09	9	.366 [9.30]	.157 [4.00]	.118 [3.00]	.1990 [5.055]
↑ -WXY09LF					
-WXY11	11	.406 [10.30]	.197 [5.00]	.157 [4.00]	.2380 [6.045]
-WXY11LF					
-WXY15	15	.484 [12.30]	.276 [7.00]	.236 [6.00]	.3170 [8.052]
-WXY15LF					
-WXY21	21	.602 [15.30]	.394 [10.00]	.354 [9.00]	.4350 [11.049]
-WXY21LF					
-WXY25	25	.681 [17.30]	.472 [12.00]	.433 [11.00]	.5140 [13.056]
-WXY25LF					
-WXY31	31	.800 [20.30]	.591 [15.00]	.551 [14.00]	.6320 [16.053]
-WXY31LF					
-WXY41	41	.996 [25.30]	.787 [20.00]	.748 [19.00]	.8290 [21.057]
-WXY41LF					
-WXY51	51	1.193 [30.30]	.984 [25.00]	.945 [24.00]	1.0260 [26.060]
-WXY51LF					
-WXY69	69	1.547 [39.30]	1.339 [34.00]	1.299 [33.00]	1.3800 [35.052]
↓ -WXY69LF					

NOTES:

1. MATERIALS:  
 RECEPTACLE HOUSING - LCP, UL-94V-0. COLOR: NATURAL.  
 RECEPTACLE TERMINALS - COPPER ALLOY, PLATED WITH 15u"/.38u GXT™ IN CONTACT AREA AND 100u"/2.54u Sn ON SOLDER LEGS WITH AN OVERALL 50u"/1.27u Ni UNDERPLATE.  
 HEADER HOUSING - LCP, UL-94V-0. COLOR: NATURAL.  
 HEADER TERMINALS - COPPER ALLOY, PLATED WITH 15u"/.38u GXT™ IN CONTACT AREA AND 100u"/2.54u Sn ON SOLDER LEGS WITH AN OVERALL 50u"/1.27u Ni UNDERPLATE.  
 RETENTION DEVICE - BRASS, PLATED WITH 100u"/2.54u Sn OVER NICKEL.
2. REFERENCE GS-12-006 FOR PRODUCT PERFORMANCE DATA.
3. SEE TA-774 FOR FURTHER DESCRIPTION OF HOW THIS DIMENSION IS APPLIED.
4. PICK AND PLACE CAP OR TAPE IS ONLY AVAILABLE WITH OPTION 3 PACKAGING. (PSA ADHESIVE SEALED). ALSO, PSA PACKAGING REQUIRES A PICK AND PLACE CAP.
5. RECOMMENDED SOLDER PASTE THICKNESS IS .006 TO .008 INCHES THICK.
6. THE TOE HEIGHT OF THE SOLDER TAIL SHALL BE MEASURED FROM THE LOWEST POINT OF THE .004 CO-PLANARITY GRAVITY PLANE. THIS MEASUREMENT IS NOT TO EXCEED A WINDOW OF .000 TO .007 INCHES.
7. THREE SLOTS MAY BE LOCATED AT EITHER END OF HOUSING.
8. 5.50mm MATED HEIGHT IS ONLY AVAILABLE IN 9, 15 AND 31 POS.
9. 7.50mm MATED HEIGHT IS ONLY AVAILABLE IN 9 POS.
10. APPLIES TO 91921-3XYZZ AND 91931- 3XYZZ OPTIONS ONLY.
11. THE HOUSING WILL WITHSTAND EXPOSURE TO 260°C PEAK TEMPERATURE FOR 30 SECONDS IN A CONVECTION INFRA RED OR VAPOR PHASE REFLOW OVEN. SEE APPLICATION/PROCEDURES IF THEY ARE AVAILABLE
12. PRODUCT WITH "F" AT THE END MEETS EUROPEAN UNION DIRECTIVES AND OTHER COUNTRY REGULATION AS DESCRIBED IN GS-22-008.

Amphenol FCI

© 2016 AFCI

mat'l. code		surface ISO 1302 ✓		tolerance ISO 406 ISO 1101		projection 		product family CONAN®	
ltr	ecn no	dr	date	tolerances unless otherwise specified		INCH/MM		title	
AP				angles	.0±.30	INCH/MM		CONAN® CONNECTOR ASSEMBLY	
				linear	.00±.20	scale 1:1		dwg no 91900 sheet 6 of 7 size A3	
				0°±x'	.000±.10	Amphenol FCI		type Product Customer Drawing	
				dr	Eric Huang	2015-10-11			
				engr	Alan Ni	2023-07-12			
				chr	LQ Lei	2023-07-12			
				appd	Tim Yao	2023-07-12			
sheet index	revision sheet								

Amphenol FCI  
 © 2016 AFCI

# CONAN® ASSEMBLY PART NUMBER

919 T C - W X Y ZZ L F

LEAD FREE OPTION  
SEE NOTE 12

TYPE	T
HEADER WITH NO PEGS	0
HEADER WITH PEGS	1
RECEPTACLE WITH NO PEGS	2
RECEPTACLE WITH PEGS	3

L	MANDATORY CODE
L	STANDARD, NOT MANDATORY P/N
A	ONLY FOR DEDICATED CUSTOMER

PICK AND PLACE CAP OR TAPE (NOTE 4)	C
WITHOUT CAP OR TAPE	0
WITH CAP	1
WITH TAPE (RECEPTACLE ONLY)	2

PACKAGING	W
TUBE	2
PRESSURE SEALED TAPE & REEL	3

NOTE 4

Y	HEADER HEIGHT	RECEPTACLE HEIGHT	MATED HEIGHT +.010 -.008 [+.25] [-.20]
1	.034 [.86]	.129 [3.28]	.163 [4.15]
2	.048 [1.23]	SEE Y=1 FOR ALL RECEPTACLES	.177 [4.50]
3	.068 [1.73]		.197 [5.00]
4	.107 [2.72]		.236 [6.00]
5	.1465 [3.721]		.276 [7.00]
* 6	.088 [2.23]		.216 [5.50]
* * 7	.1665 [4.229]		.296 [7.52]

\* NOTE 8  
\* \* NOTE 9

ZZ	NUMBER OF POSITIONS
09	9
11	11
15	15
21	21
25	25
31	31
41	41
51	51
69	69

X	PLATING
1	15u"/.38u GXT™
2	30u"/.76u GXT™
3	Au 30u"/.76u

EXAMPLE: 91921-31125LF  
IS A CONAN® RECEPTACLE ASSEMBLY, HAVING NO PEGS AND WITH A PICK AND PLACE CAP. IT ALSO HAS GXT™ PLATING, IS .13 [3.2] HIGH AND 25 POSITIONS AND IS PACKAGED IN PRESSURE SEALED TAPE, REEL AND LEAD FREE.

mat'l. code				surface	tolerance	projection	product family
				ISO 1302 ✓	ISO 406 ISO	1101	CONAN®
ltr	ecn no	dr	date	tolerances unless otherwise specified		INCH/MM	title
AP				angles	.0±.30	← →	CONAN® CONNECTOR ASSEMBLY
				linear	.00±.20	← →	
				0°±x°	.000±.10	scale 1:1	
		dr	Eric Huang	2015-10-11		Amphenol FCI	dwg no
		engr	Alan Ni	2023-07-12			sheet 7 of 7
		chr	LQ Lei	2023-07-12			size
		appd	Tim Yao	2023-07-12			A3
sheet index	revision sheet						type Product Customer Drawing