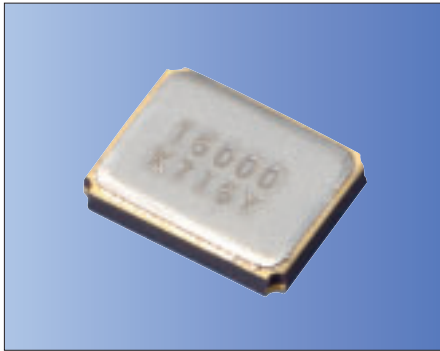


3.2×2.5mm for Consumer Products/ Mobile Communications



RoHS Compliant

Features

- Crystal unit for Consumer Products
- Miniature and low profile (3.2×2.5×0.55mm)
- Ceramic package
- Reflow compatible

Applications

- Digital Electronics
- Consumer Products
- Mobile Communications, Bluetooth®, Wireless LAN

* Bluetooth® Trademarks are owned by Bluetooth SIG Inc.

How to Order

CX3225SB 12000 DO G □ J CC
① ② ③ ④ ⑤ ⑥ ⑦

① Series	② Frequency
③ Load Capacitance	④ Frequency Tolerance
DO 8 pF	G ±15×10 ⁻⁶
⑤ Operating Temp. Range	⑥ Frequency Temp. Stability
EJ -10 to +70°C	±15×10 ⁻⁶
LJ -30 to +85°C	±15×10 ⁻⁶

⑦ Individual Specification (STD Specification is "CC")

Packaging (Tape & Reel 3000 pcs./ reel)

Specifications

Item	Symbol	Specification	Units	Remarks
Frequency Range	f _{nom}	12000 to 54000	kHz	
Overtone Order	OT	Fundamental	—	
Load Capacitance	CL	8	pF	Please contact us for other Load Capacitance.
Frequency Tolerance	f _{tol}	±15	×10 ⁻⁶	25°C±3°C
Motional Series Resistance	R1	Table 1	ohm	
Drive Level	DL	Table 2	μW	
Operating Temp. Range	T _{use}	-10 to +70	-30 to +85	°C
Storage Temp. Range	T _{stg}	-40 to +85		°C
Frequency Temp. Characteristics	f _{tem}	±15	×10 ⁻⁶	Freq. deviation from the value at 25°C

Please contact us for other specifications.

Table1 Motional Series Resistance

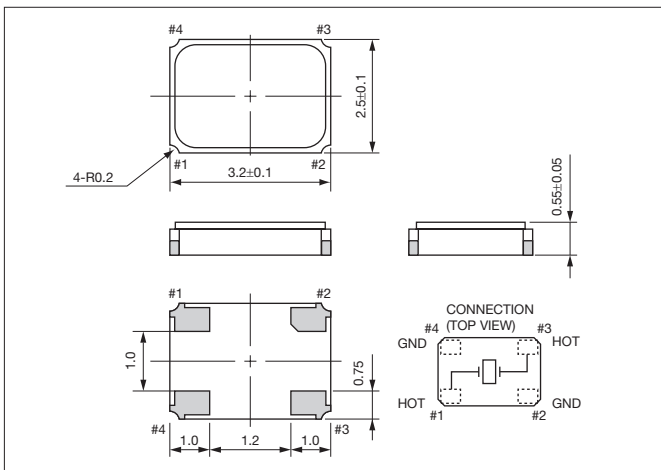
Frequency Range	Motional Series Resistance
12000 ≤ f _{nom} < 13000kHz	150Ω max.
13000 ≤ f _{nom} < 20000kHz	80Ω max.
20000 ≤ f _{nom} ≤ 54000kHz	50Ω max.

Table2 Level of Drive

Frequency Range	Level of Drive
12000 ≤ f _{nom} ≤ 54000kHz	10μW (100μW max.)

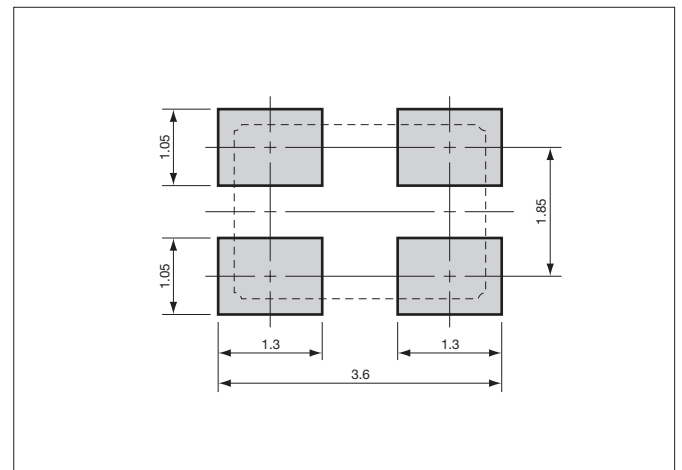
Dimensions

(Unit: mm)



Recommended Land Pattern

(Unit: mm)



Mouser Electronics

Authorized Distributor

Click to View Pricing, Inventory, Delivery & Lifecycle Information:

Kyocera:

[CX3225SB27000D0FEJZZ](#) [CX3225SB16000E0FPZ25](#) [CX3225SB12000D0FLJZZ](#) [CX3225SB12288D0FLJZ1](#)
[CX3225SB13560D0FLJ14](#) [CX3225SB27000H0FZF33](#) [CX3225SB26000D0FLJZZ](#) [CX3225SB16000D0FLJZZ](#)
[CX3225SB25000D0FPLCC](#) [CX3225SB40000D0FPLCC](#) [CX3225SB38400D0FPLCC](#) [CX3225SB40000D0FFFCC](#)
[CX3225SB16000D0FPLCC](#) [CX3225SB12000D0FFJCC](#) [CX3225SB13560D0FPLCC](#) [CX3225SB16000D0FFJCC](#)
[CX3225SB19200D0FPLCC](#) [CX3225SB48000D0FFFCC](#) [CX3225SB30000D0FPLCC](#) [CX3225SB12000D0FPNCC](#)
[CX3225SB24000D0FFJCC](#) [CX3225SB48000D0FPLCC](#) [CX3225SB27000D0FFFCC](#) [CX3225SB38400D0FFFCC](#)
[CX3225SB32000D0FFFCC](#) [CX3225SB27000D0FPLCC](#) [CX3225SB25000D0FFFCC](#) [CX3225SB20000D0FPLCC](#)
[CX3225SB54000D0WPSC1](#) [CX3225SB48000D0WPSC1](#) [CX3225SB54000D0WPSC2](#) [CX3225SB54000D0FPJC2](#)
[CX3225SB54000D0FPJC1](#) [CX3225SB48000D0WPTC1](#) [CX3225SB54000D0WPTC1](#) [CX3225SB54000D0WPSC3](#)
[CX3225SB49152F0HELC1](#) [CX3225SB40000H0WLLC1](#) [CX3225SB12000H0FLJCC](#) [CX3225SB20000H0FLJCC](#)
[CX3225SB54000H0FLJCC](#) [CX3225SB24000D0FLJCC](#) [CX3225SB25000D0FLJCC](#) [CX3225SB32000H0FLJCC](#)
[CX3225SB40000H0FLJCC](#) [CX3225SB48000D0FLJCC](#) [CX3225SB25000H0FLJCC](#) [CX3225SB30000H0FLJCC](#)
[CX3225SB24576H0FLJCC](#) [CX3225SB26000H0FLJCC](#) [CX3225SB13560H0FLJCC](#) [CX3225SB12000D0FLJCC](#)
[CX3225SB16000D0FLJCC](#) [CX3225SB16000E0EGFCC](#) [CX3225SB16000E0FPKCC](#) [CX3225SB26000E0FGGCC](#)
[CX3225SB16000M0DFDCC](#) [CX3225SB25000P0FLFCC](#) [CX3225SB12000F0KFSCC](#) [CX3225SB24000P0FGFCC](#)