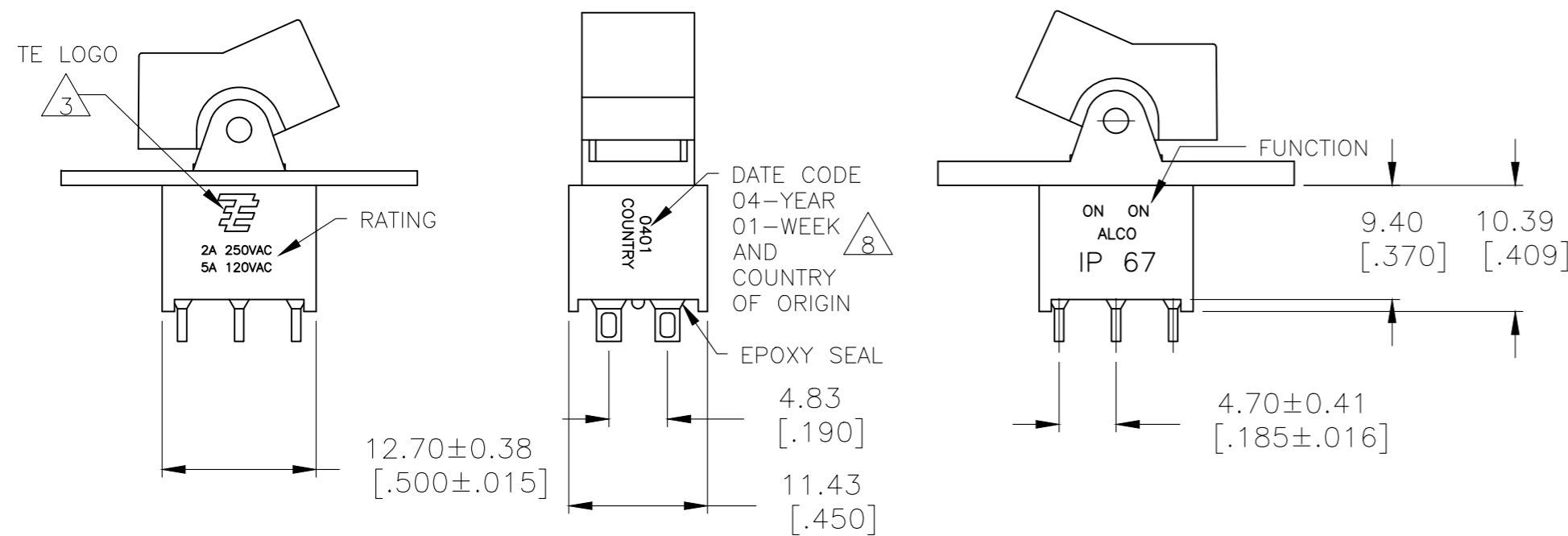


THIS DRAWING IS UNPUBLISHED. RELEASED FOR PUBLICATION
 © COPYRIGHT - By - ALL RIGHTS RESERVED.

REVISIONS					
P	LTR	DESCRIPTION	DATE	DWN	APVD
	A7	REVISED PER ECO-17-001761	10MAY2017	RK	AS



- ALL MATERIALS AND FINISHES SHALL COMPLY WITH EU DIRECTIVE 2002/95/EC OF 27JAN2003 (ROHS).
- G CONTACT OPTION CAN BE USED FOR SIGNAL OR POWER LEVEL SWITCHING. IF SWITCH IS USED AT LEVELS EXCEEDING .4VA @ 20V AC/DC, SWITCH IS RENDERED FOR POWER SWITCHING ONLY DUE TO ARC REMOVAL OF GOLD PLATING. RATING MARKED ON THE SWITCH IS 2A 250VAC, 5A 120VAC.
- TE LOGO
- SWITCHES MEET REQUIREMENTS OF IP67
- PANEL MOUNT ACTUATOR PIVOT SUPPLIED WITH C, W, W4, Z & Z3 TERMINATIONS. PC MOUNT ACTUATOR PIVOT SUPPLIED WITH A, AV2, V3 & V4 TERMINATIONS
- SP3T FUNCTION ACHIEVED WITH FUNCTIONS 11, 13 & 15 BY CUSTOMER APPLIED JUMPER BETWEEN TERMINALS 3 AND 5.
- DATE CODE AND COUNTRY OF ORIGIN MAY APPEAR ON EITHER SIDE OF SWITCH.
- ALL LOGO, RATING, DATE CODE, AND FUNCTION MARKINGS TO BE LASER MARKED.

FUNCTION CHART

FUNCTION			
	1 2 3 4 5 6	1 2 3 4 5 6	1 2 3 4 5 6
01	ON	NONE	ON
03	ON	OFF	ON
05	(ON)	OFF	(ON)
07	ON	OFF	(ON)
08	ON	NONE	(ON)
TERMINALS CONNECTED	2-3, 5-6	---	1-2, 4-5
11	ON	ON	ON
13	ON	ON	(ON)
15	(ON)	ON	(ON)
TERMINALS CONNECTED	2-3, 5-6	2-3, 4-5	1-2, 4-5
SP3T SCHEMATIC (11, 13 & 15 ONLY) NOTE 7			
	IN 2, OUT 6	IN 2, OUT 4	IN 2, OUT 1

NONE: NO MECHANICAL POSITION
 OFF: MECHANICAL POSITION WITH NO ELECTRICAL CONNECTION
 (ON): MOMENTARY ACTION

SPECIFICATIONS

RATING, B CONTACTS	.4VA MAX @20V MAX. AC OR DC
RATING, G CONTACTS--SEE NOTE 2	.4VA MAX @20V MAX. AC OR DC OR 5A @120 VAC OR 28 VDC (RESISTIVE) 2A @250 VAC (RESISTIVE)
RATING, Q CONTACTS	5A @120 VAC OR 28 VDC (RESISTIVE) 2A @250 VAC (RESISTIVE)
ELECTRICAL LIFE	6,000 CYCLES AT RATED LOAD
CONTACT RESISTANCE	10 MILLIOHMS MAX INITIAL @ 2-4VDC, 100MA
INSULATION RESISTANCE	1,000 MEGOHMS MIN
DIELECTRIC WITHSTANDING VOLTAGE	1,000 V RMS AT SEA LEVEL
OPERATING TEMPRATURE	-30C TO 85C

PART NUMBER SEQUENCE						
MODEL	FUNCTION	TOGGLE	TERMINAL	CONTACT	ACTUATOR COLOR	ROHS
AE2						04
	01	J1	A	B	0 BLACK (STD)	
	03	J50	AV2	G	1 BROWN	
	05	J2	C	Q	2 RED	
	07	J60	V3		3 ORANGE	
	08		V4		4 YELLOW	
	11		W		5 GREEN	
	13		W4		6 BLUE	
	15		Z		8 GRAY	
			Z3		9 WHITE	

THIS DRAWING IS A CONTROLLED DOCUMENT.

DWN	M.BINNER	06JAN05
CHK	M.ZITTO	06JAN05
APVD	M.ZITTO	06JAN05

STE TE Connectivity

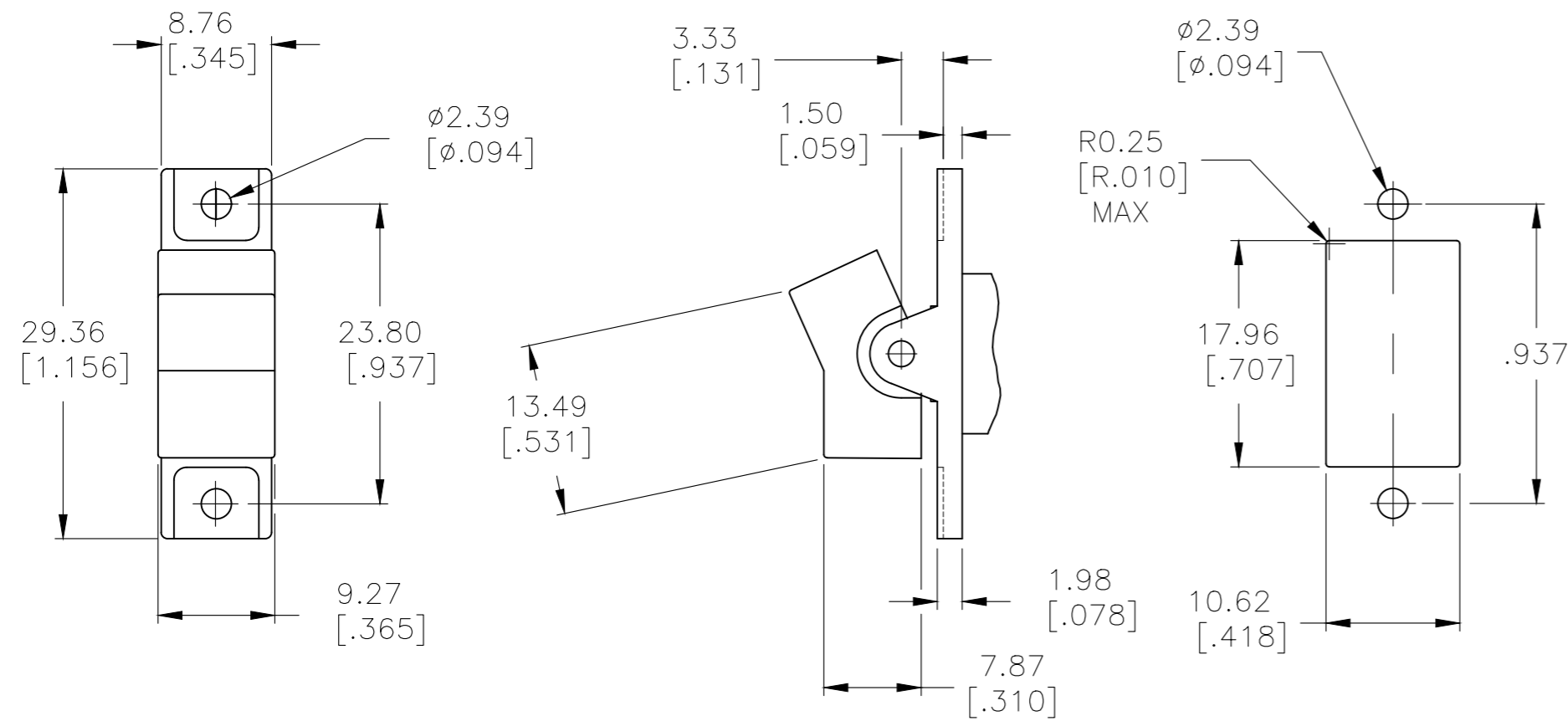
GEMINI AE SERIES ROCKER SWITCH
DOUBLE POLE

SIZE	CAGE CODE	DRAWING NO	RESTRICTED TO
A2	00779	C-1571989	-

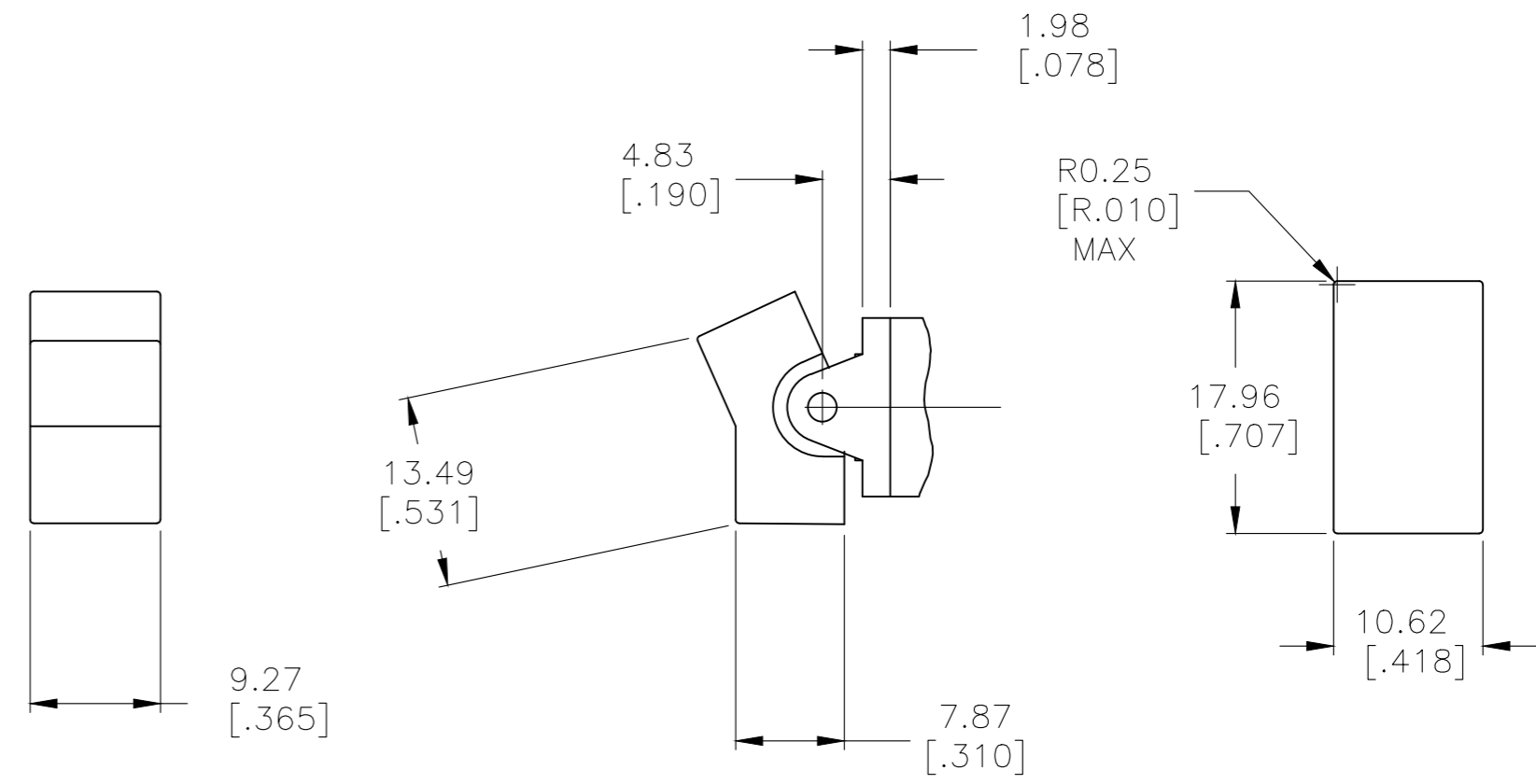
CUSTOMER DRAWING SCALE 2:1 SHEET 1 of 5 REV A7

THIS DRAWING IS UNPUBLISHED. RELEASED FOR PUBLICATION
 © COPYRIGHT - By - ALL RIGHTS RESERVED.

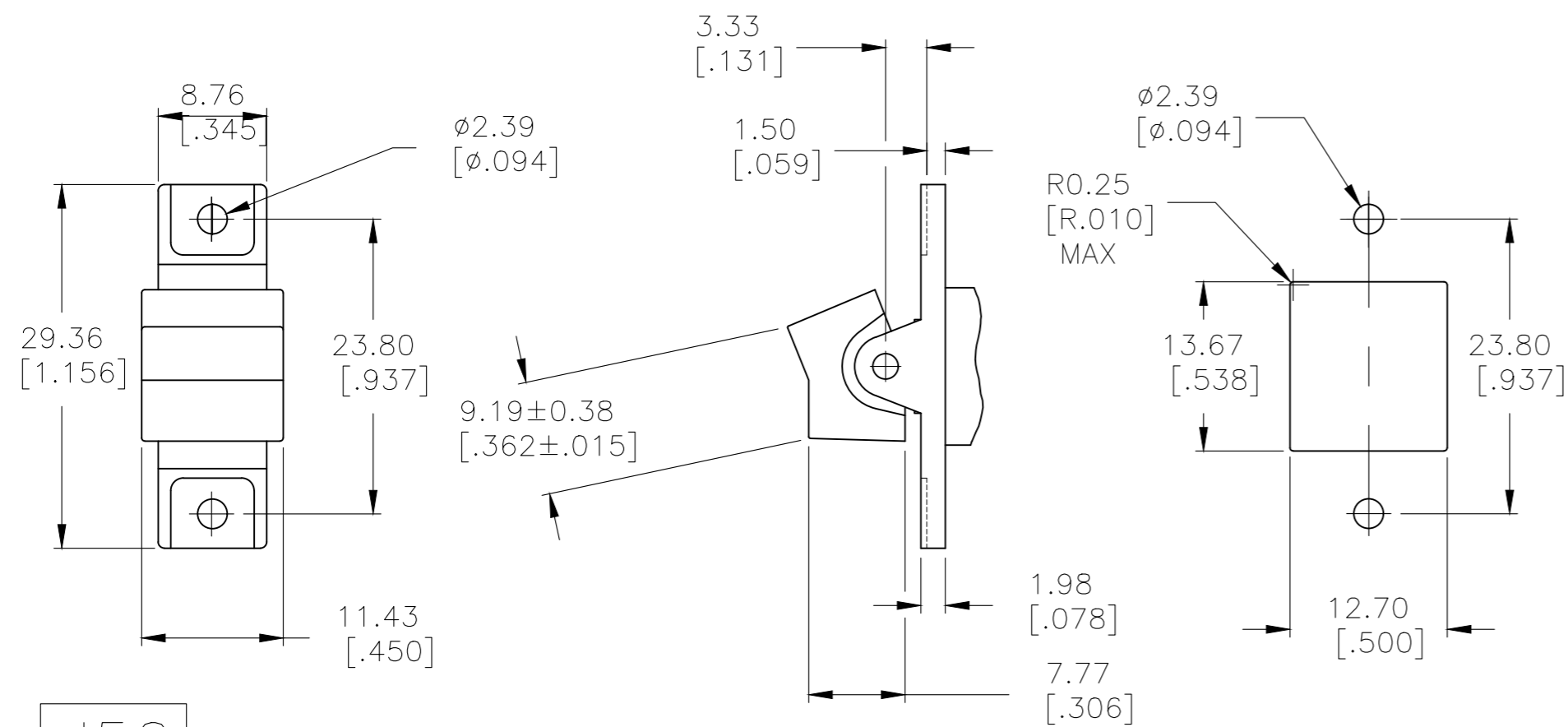
REVISIONS					
P	LTR	DESCRIPTION	DATE	DWN	APVD
-	-	SEE SHEET 1	-	-	-



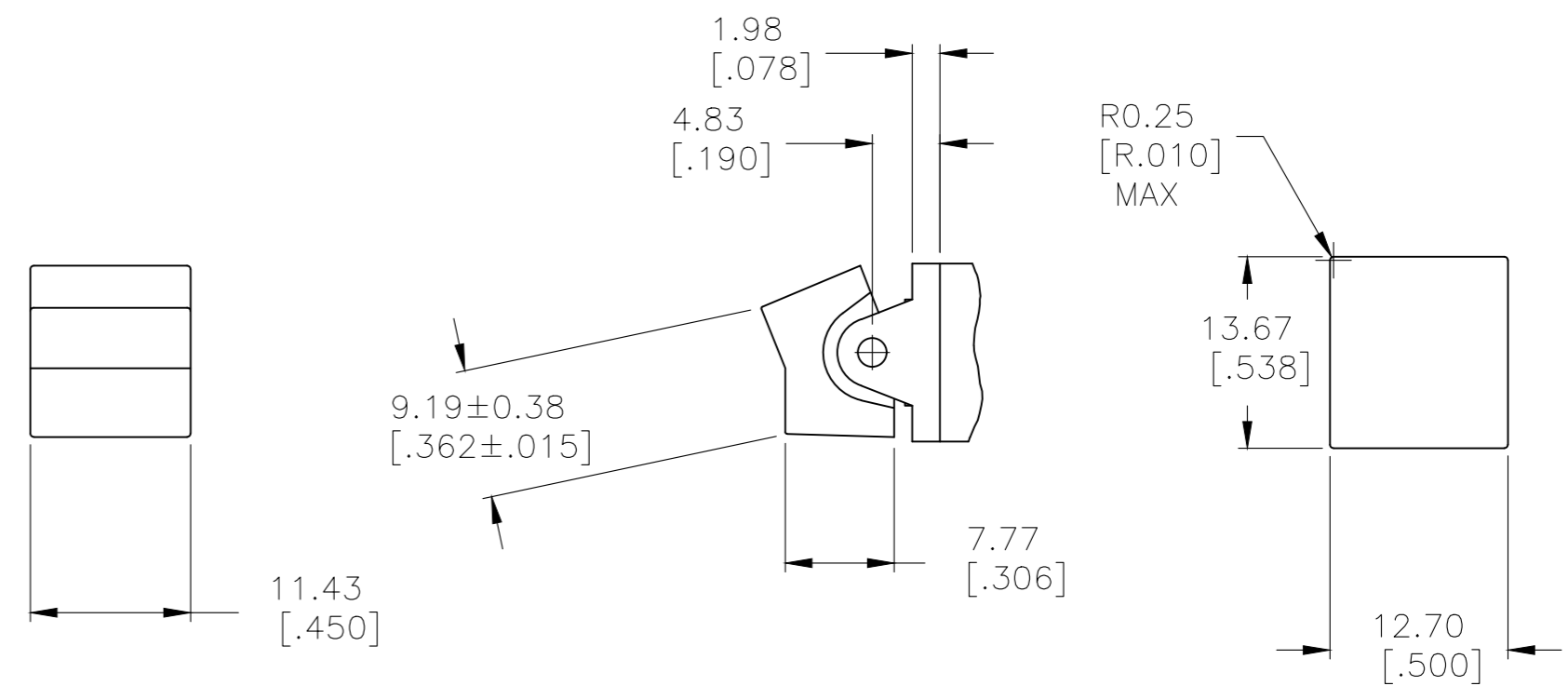
J1 SHOWN WITH PANEL MOUNT ACTUATOR PIVOT



J1 SHOWN WITH PC MOUNT ACTUATOR PIVOT



J50 SHOWN WITH PANEL MOUNT ACTUATOR PIVOT



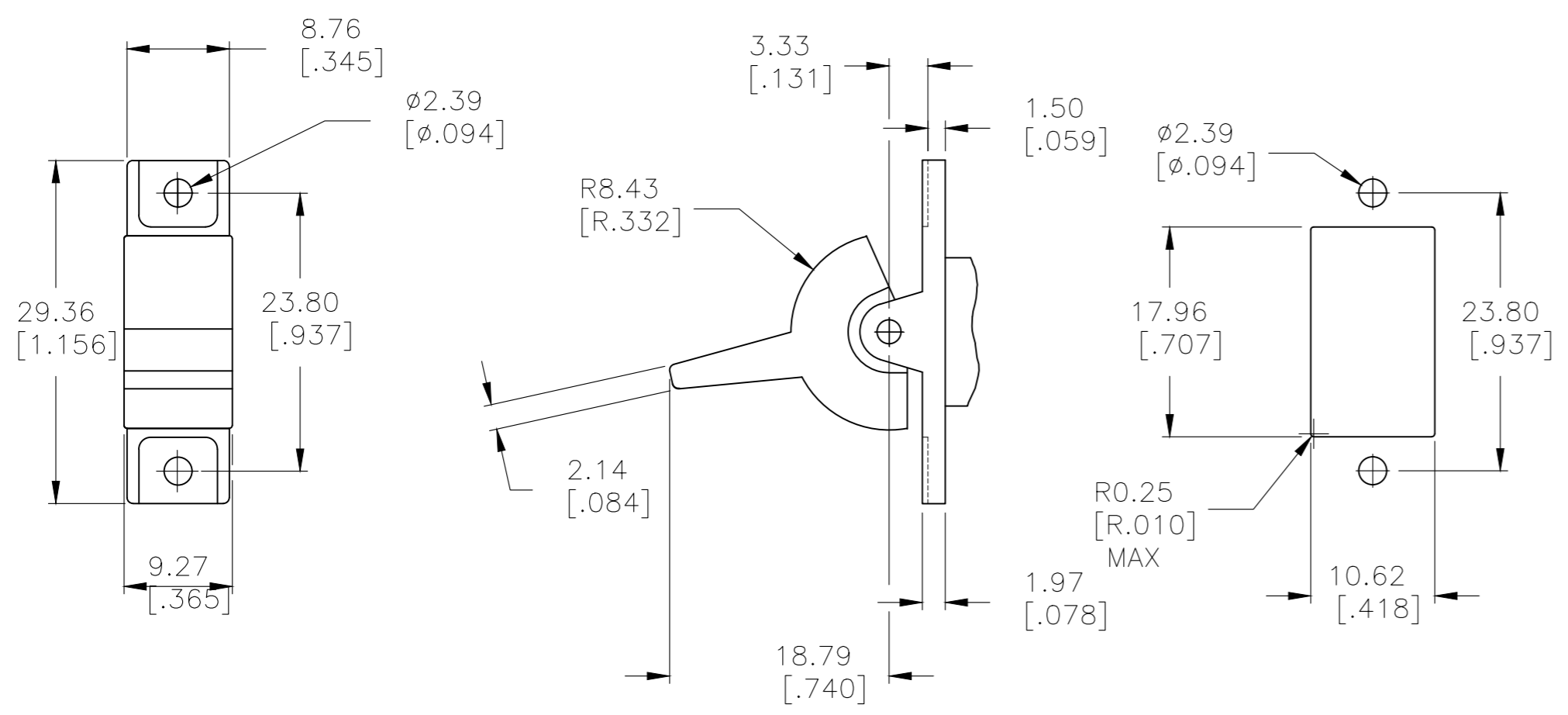
J50 SHOWN WITH PC MOUNT ACTUATOR PIVOT

1.52-3.17 [.060-.125]	15.75-15.87 [.620-.625]
1.19-1.50 [.047-.059]	15.72 [.619]
PANEL THICKNESS	
DIM "A"	

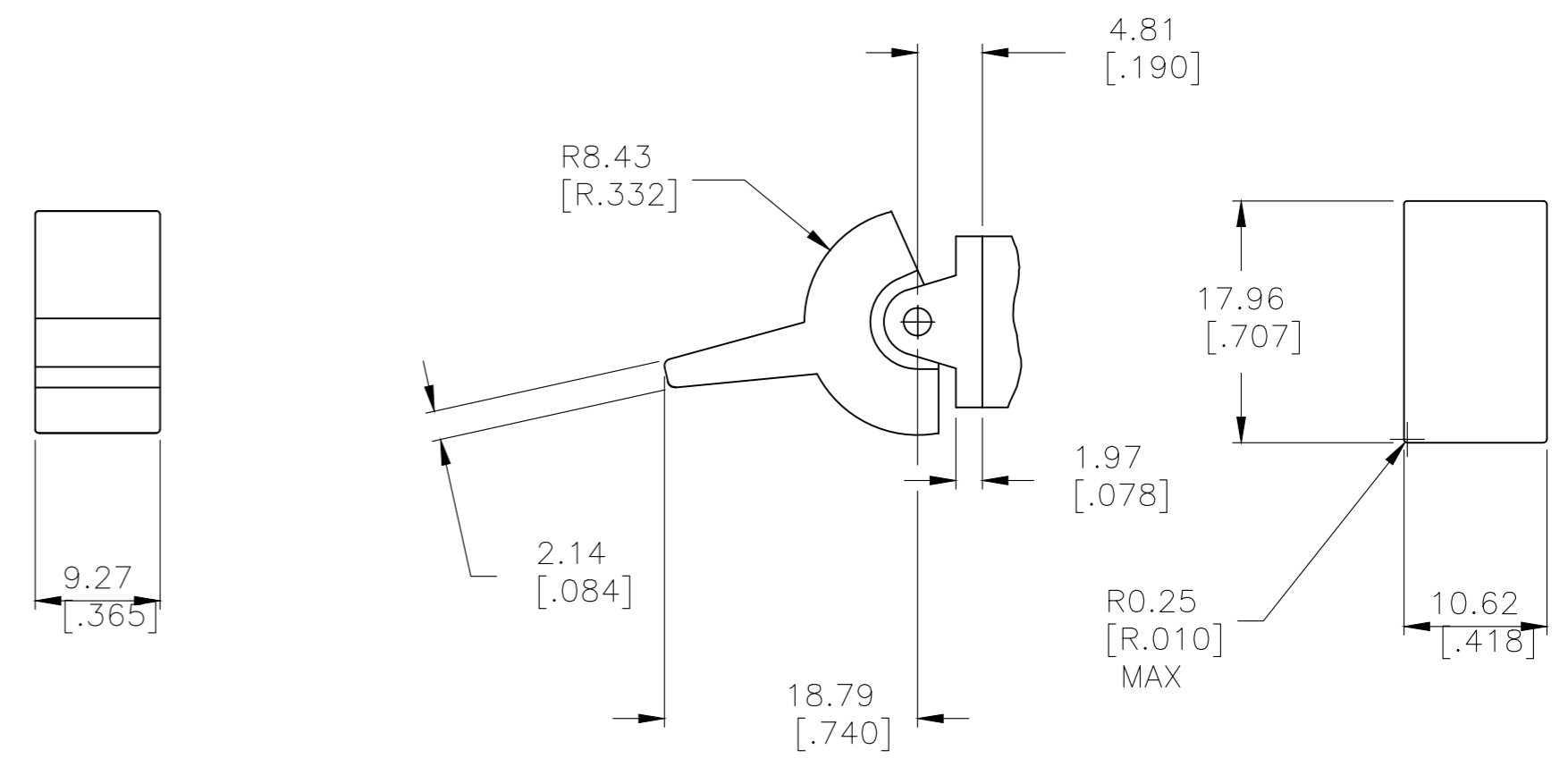
THIS DRAWING IS A CONTROLLED DOCUMENT.		DWN M.BINNER 06JAN05	TE Connectivity	
DIMENSIONS: mm [INCHES]		CHK M.ZITTO 06JAN05		
TOLERANCES UNLESS OTHERWISE SPECIFIED:		APVD M.ZITTO 06JAN05	NAME GEMINI AE SERIES ROCKER SWITCH DOUBLE POLE	
0 PLC ± -		PRODUCT SPEC	SIZE CAGE CODE DRAWING NO RESTRICTED TO	
1 PLC ± -		APPLICATION SPEC	A2 00779 C-1571989 -	
2 PLC ± -		WEIGHT	SCALE SHEET REV	
3 PLC ± .010		-	2:1 2 OF 5 A7	
4 PLC ± -		CUSTOMER DRAWING		
ANGLES ± 4°				
FINISH				

THIS DRAWING IS UNPUBLISHED. RELEASED FOR PUBLICATION
 © COPYRIGHT - By - ALL RIGHTS RESERVED.

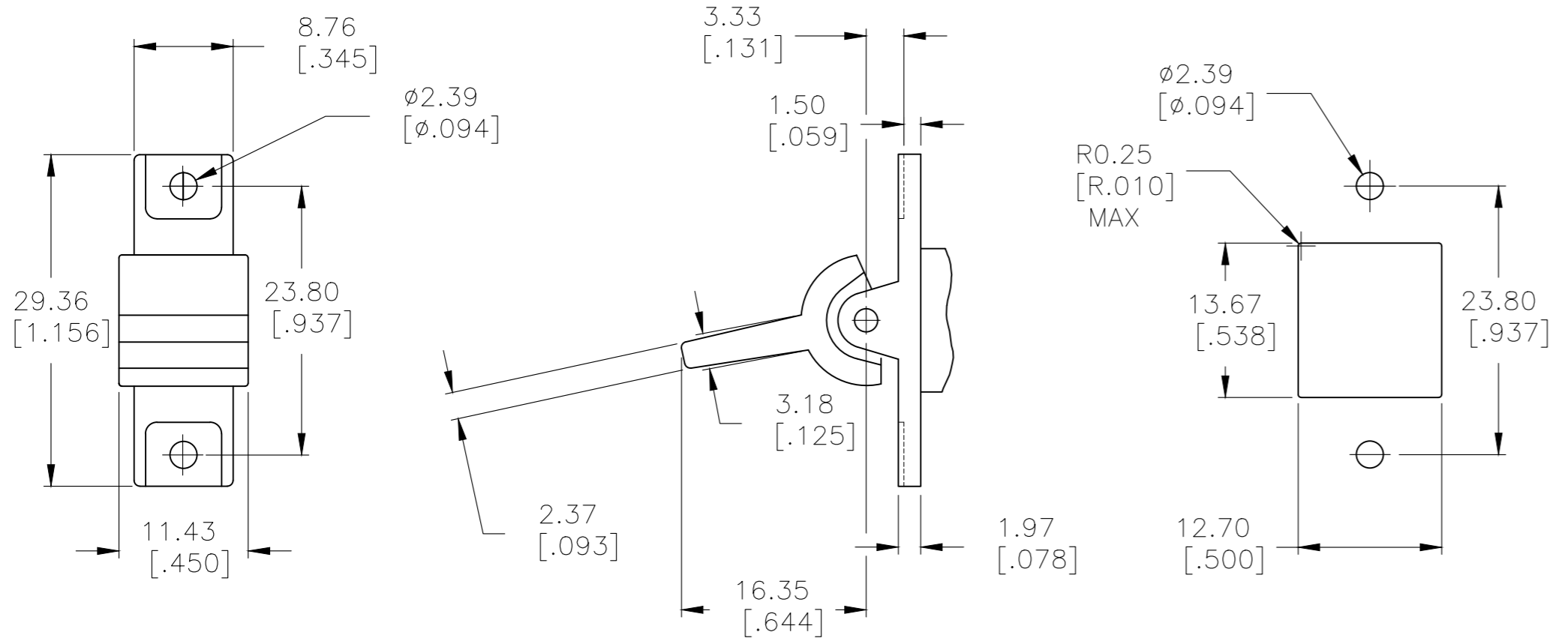
REVISIONS					
P	LTR	DESCRIPTION	DATE	DWN	APVD
-	-	SEE SHEET 1	-	-	-



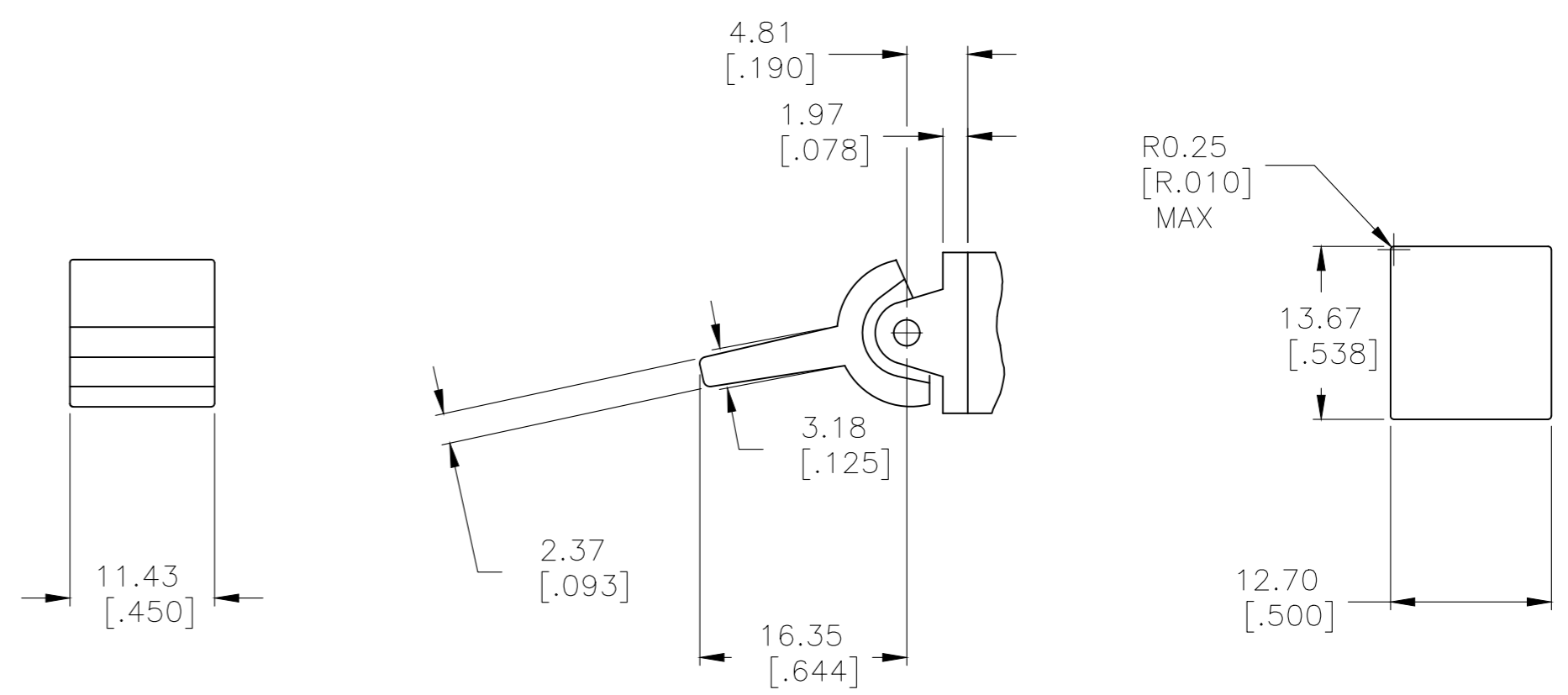
J2 SHOWN WITH PANEL MOUNT ACTUATOR PIVOT



J2 SHOWN WITH PC MOUNT ACTUATOR PIVOT



J60 SHOWN WITH PANEL MOUNT ACTUATOR PIVOT



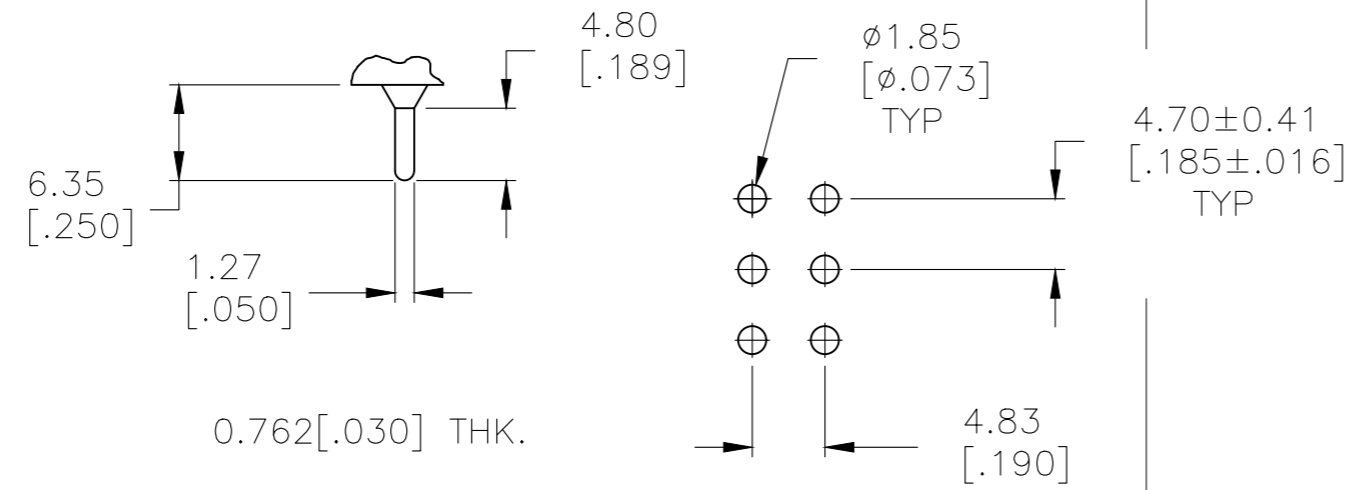
J60 SHOWN WITH PC MOUNT ACTUATOR PIVOT

1.52-3.17 [.060-.125]	15.75-15.87 [.620-.625]
1.19-1.50 [.047-.059]	15.72 [.619]
PANEL THICKNESS	DIM "A"

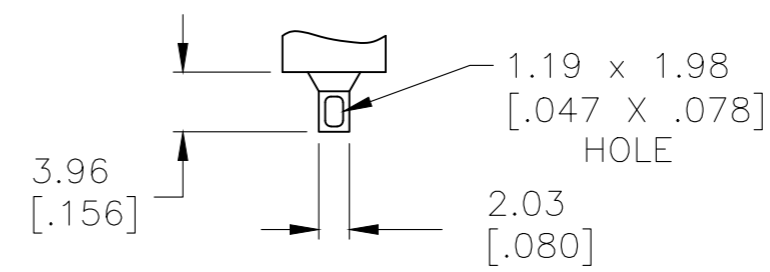
THIS DRAWING IS A CONTROLLED DOCUMENT.		DWN M.BINNER 06JAN05	TE Connectivity	
DIMENSIONS: mm [INCHES]		CHK M.ZITTO 06JAN05		
TOLERANCES UNLESS OTHERWISE SPECIFIED:		APVD M.ZITTO 06JAN05	NAME GEMINI AE SERIES ROCKER SWITCH DOUBLE POLE	
0 PLC ± -		PRODUCT SPEC	SIZE A2	
1 PLC ± -		APPLICATION SPEC	CAGE CODE 00779	
2 PLC ± -		WEIGHT	DRAWING NO C-1571989	
3 PLC ± .010		RESTRICTED TO	REV A7	
4 PLC ± -		CUSTOMER DRAWING	SCALE 2:1	
ANGLES ± 4°		SCALE 2:1	SHEET 3 OF 5	
FINISH		REV A7		

THIS DRAWING IS UNPUBLISHED. RELEASED FOR PUBLICATION
 © COPYRIGHT - By - ALL RIGHTS RESERVED.

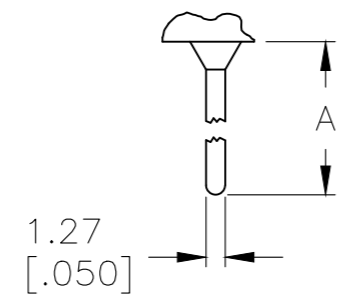
REVISIONS				
P	LTR	DESCRIPTION	DATE	APVD
-	-	SEE SHEET 1	-	-



C PRINTED CIRCUIT



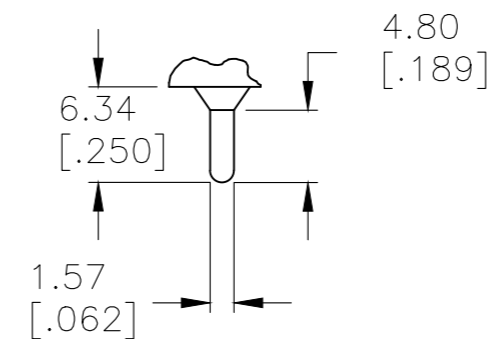
Z WIRE LUG



OPTION	DIM A
W	18.69 [.736]
W4	26.97 [1.062]

0.762 [.030] THK.

W **W4** WIRE WRAP



Z3 QUICK CONNECT

MATERIALS CHART

COMPONENT NAME	BASE MATERIAL	FINISH
CASE & BUSHING	NYLON, RED, UL94 V-0	
O-RING	PVC, BLACK	
B TERMINALS & CONTACTS	COPPER	GOLD NICKEL
G TERMINALS & CONTACTS	COPPER	GOLD OVER SILVER
Q TERMINALS & CONTACTS	COPPER	GOLD FLASH OVER SILVER
ACTUATOR	PHENOLIC, BLACK, UL94 V-1	
ACTUATOR LEVER	ZINC ALLOY	NICKEL
SPRING	MUSIC WIRE	
PIVOT PIN	STEEL	NICKEL
MOUNTING BRACKET	NYLON, UL94 V-1	
ROCKER CAP	NYLON, UL94 V-1	
TERMINAL SEAL	EPOXY, UL94V-0	
MARKING	INK, BLACK	
SUPPORT BRACKET	BRASS	TIN
RETAINER	STAINLESS STEEL	

OBSOLETE	AE208J50V3B004	1571989-8
	AE205J60V3B004	1571989-7
	AE205J50V3B004	1571989-6
	AE203J1AQ004	1571989-5
	AE201J2AQ204	1571989-4
OBSOLETE	AE201J1V3B004	1571989-3
	AE201J1AV2Q004	1571989-2
	AE201J1AQ004	1571989-1
	ALCO P/N	PART NO.

THIS DRAWING IS A CONTROLLED DOCUMENT.		DWN M.BINNER 06JAN05	TE Connectivity GEMINI AE SERIES ROCKER SWITCH DOUBLE POLE
DIMENSIONS: mm [INCHES]		CHK M.ZITTO 06JAN05	
TOLERANCES UNLESS OTHERWISE SPECIFIED: 0 PLC ± - 1 PLC ± - 2 PLC ± - 3 PLC ± .010 4 PLC ± - ANGLES ± 4°		APVD M.ZITTO 06JAN05	
MATERIAL		PRODUCT SPEC	
		APPLICATION SPEC	NAME
		WEIGHT	SIZE
		CUSTOMER DRAWING	CAGE CODE
		SCALE 2:1	DRAWING NO
		SHEET 5 of 5	RESTRICTED TO
		REV A7	

Mouser Electronics

Authorized Distributor

Click to View Pricing, Inventory, Delivery & Lifecycle Information:

[TE Connectivity:](#)

[AE205J60V3B004](#)