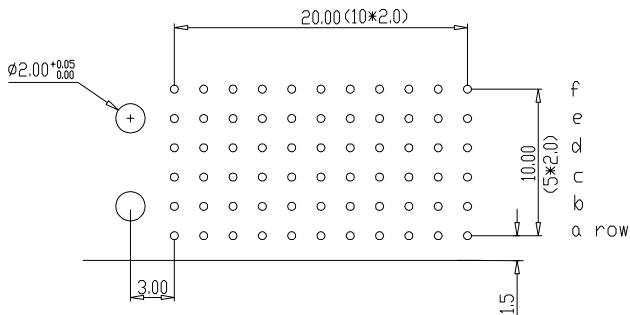
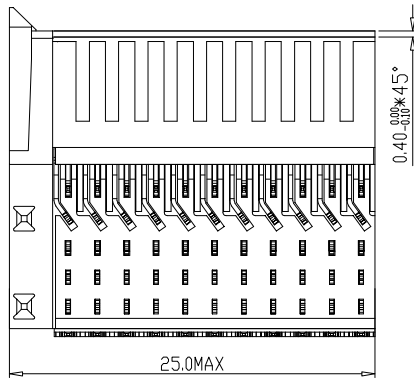
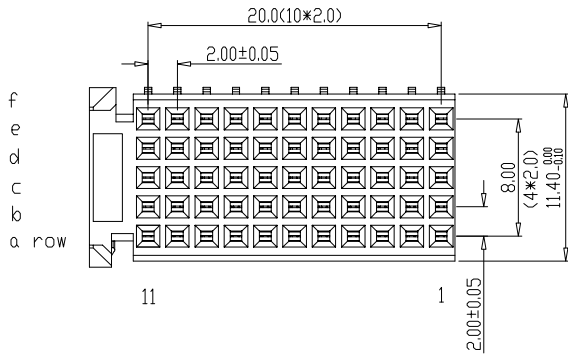


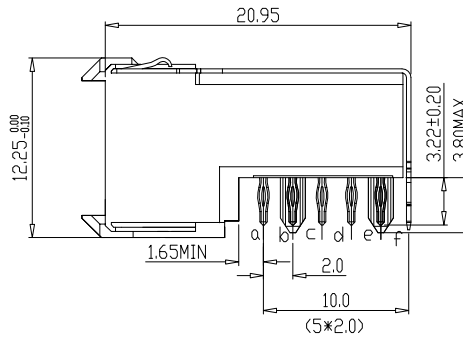


Tous droits strictement reserves. Reproduction ou communication a des tiers interdite sous quelque forme que ce soit sans autorisation ecrite du proprietaire. Propriete de c FCI. Droits de reproduction FCI.

All rights strictly reserved. Reproduction or issue to third parties in any form whatever is not permitted without written authority from the proprietor. Property of FCI. Copyright FCI.



LAY-OUT
P.C.B.- HOLE



PERFORMANCE CHARACTERISTICS

- CURRENT RATING 1.5A AT 20°C (FULLY LOADED)
- 1 A AT 70°C (FULLY LOADED)
- RATED VOLTAGE : 500 V AC (CONT /CONT)
- OPERATING TEMPERATURE : -55°C TO 125°C
- CONTACT RESISTANCE 20 MΩ MAX
- INSERTION FORCE : 0.75N MAX/CONT
- EXTRACTION FORCE : 0.15N MIN/CONT
- INSULATION RESISTANCE : 10⁴ MΩ MIN

- NOTES 1: LEAD FREE INDICATOR (LF=LEAD FREE)
- PERFORMANCE LEVEL INDICATOR (REF DWG NO.BSC 201844.003)
2. THIS PRODUCT IS CSA APPROVED. THIS PRODUCT IS UL RECOGNIZED.
 3. FOR RECOMMENDED PTH DIMENSIONS REFER DRAWING : BS.A.201572.001
 4. THIS PRODUCT (LF) MEETS EUROPEAN UNION DIRECTIVES AND OTHER COUNTRY REGULATIONS AS DESCRIBED IN GS-22-008

| rev | ecn no | dr | date |
|-----|------------------------|-------|----------|
| A | CONVERSION REVISION 05 | KN | 14-09-01 |
| B | DG05-0278 | Kason | 02-08-05 |
| C | DG07-0362 | Kason | 05-09-07 |
| D | DG10-0110 | NZ | 05-30-10 |
| - | - | - | - |
| - | - | - | - |

| Material | | Spec ref | |
|------------------|----------------|----------------------------------|---|
| Mat code | | ✓ | tolerance 1DEC ± 0.2 1DEC 2DEC ± 0.1 2DEC ANGLES ± 1° HOEKEN |
| Heattreat | | | |
| Plating/Finish | | | |
| Dr | W.Panis | 07-04-92 | projection |
| Eng | Product family | | size A4 |
| Chr | Model Name | | Scale 2.000 |
| Appr | Model Revision | | REL Level |
| | | title | |
| | | MPACS 5+2R RA RCP CONN TYPE C | |
| Pro/E file | | catalog no | dwg no |
| HM2R03PA510F---- | | CUSTOMER DRAWING | BSC201444034 |
| sheet 1 of 1 | | Rev. D | |

Mouser Electronics

Authorized Distributor

Click to View Pricing, Inventory, Delivery & Lifecycle Information:

[FCI / Amphenol:](#)

[HM2R03PA510FN9LF](#)