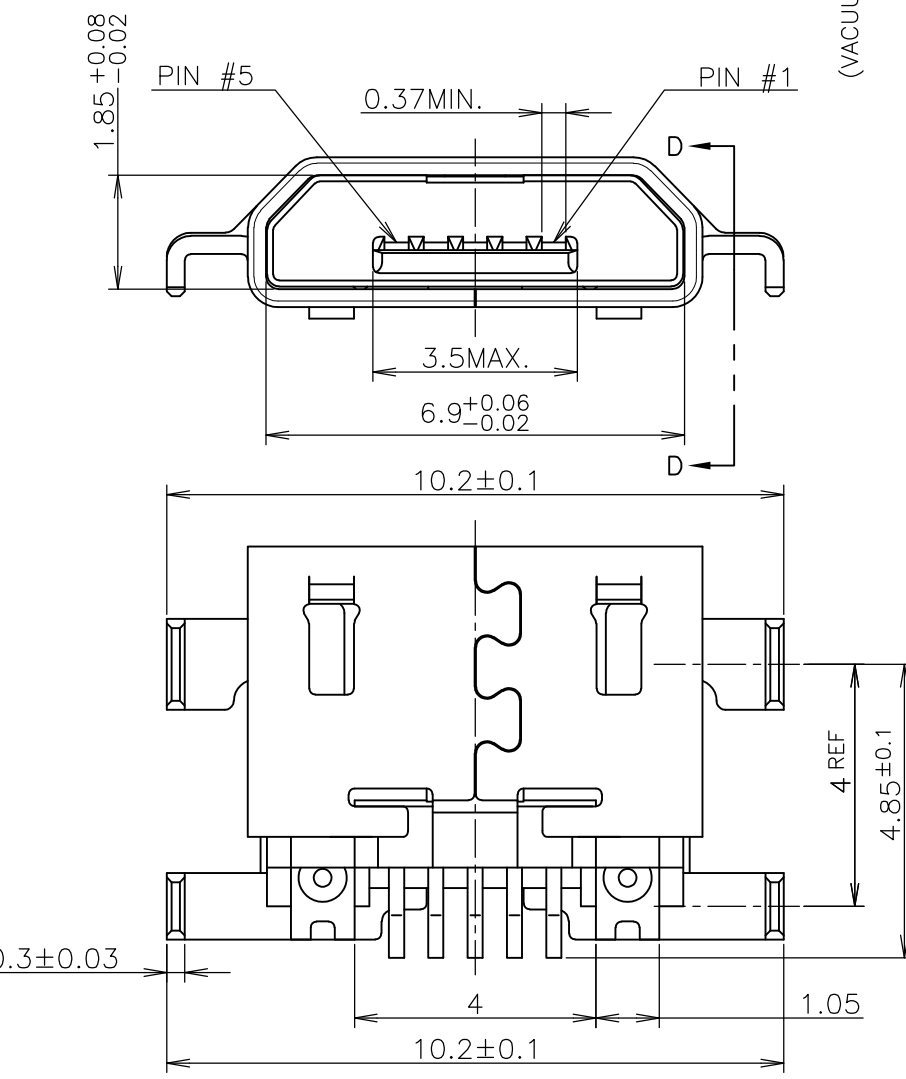
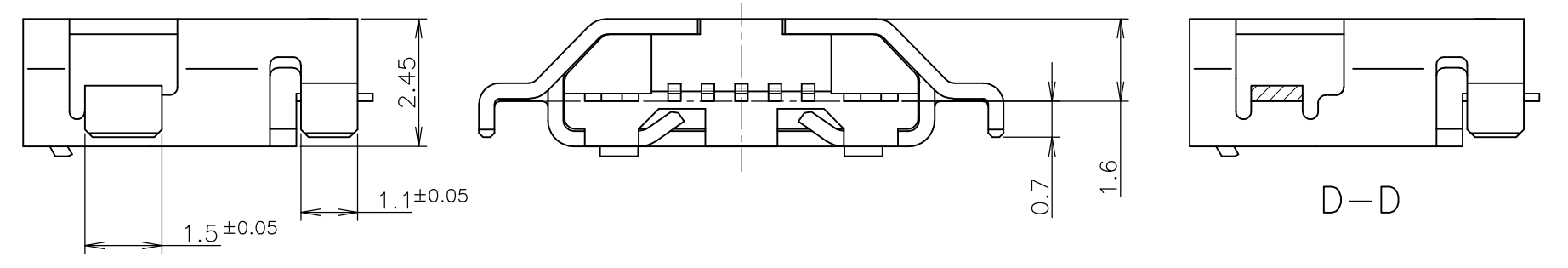
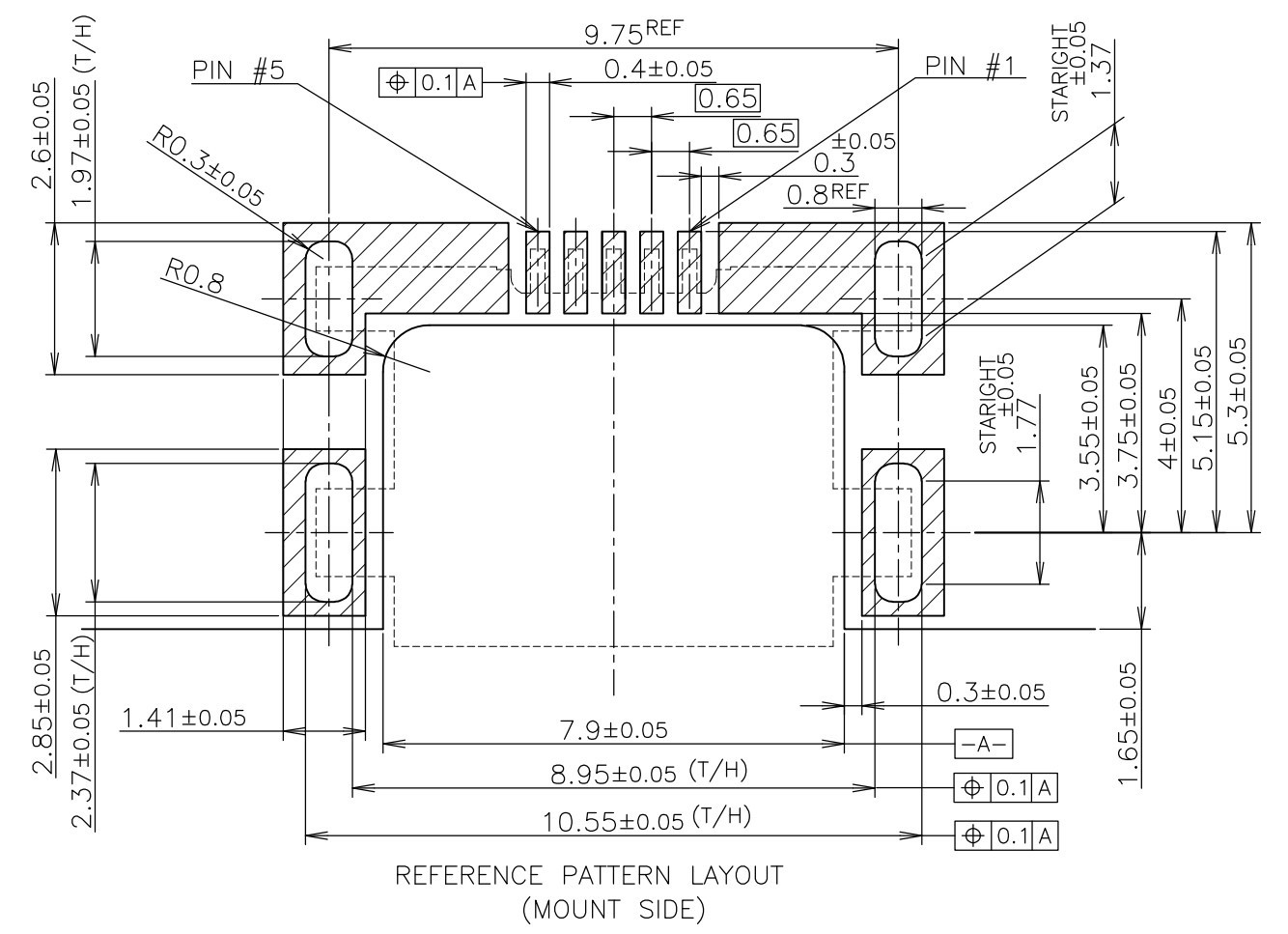
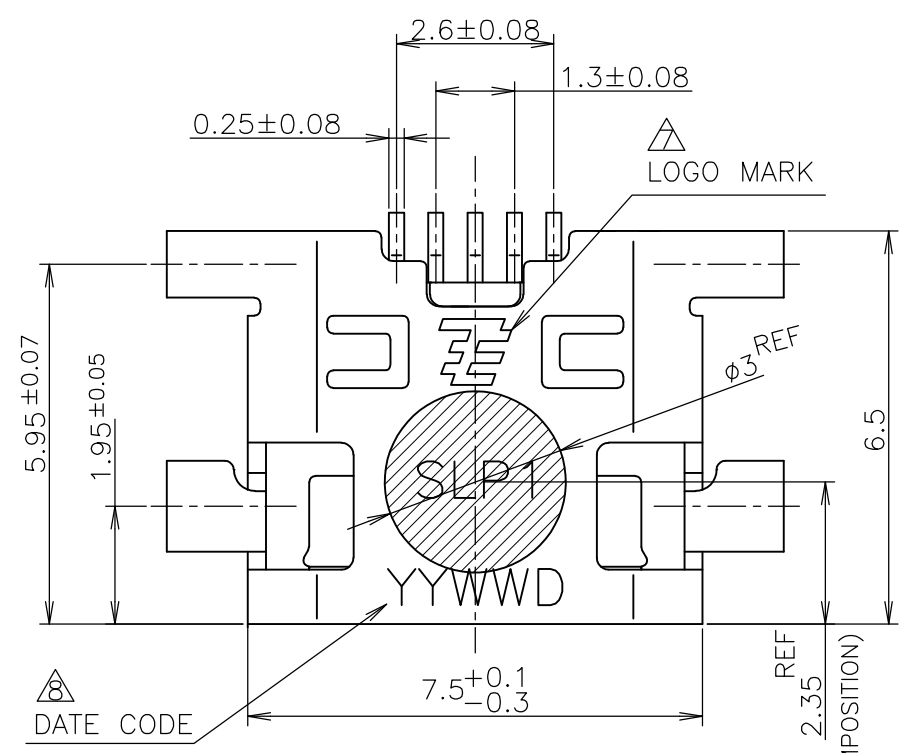


THIS DRAWING IS UNPUBLISHED. RELEASED FOR PUBLICATION JUL ,2011.
 © COPYRIGHT 2011 By Tyco Electronics Japan G.K. ALL RIGHTS RESERVED.

LOC	DIST	REVISIONS					
J	/	P	LTR	DESCRIPTION	DATE	DWN	APVD
		A		RELEASED	25JUL2011	C.O	T.K

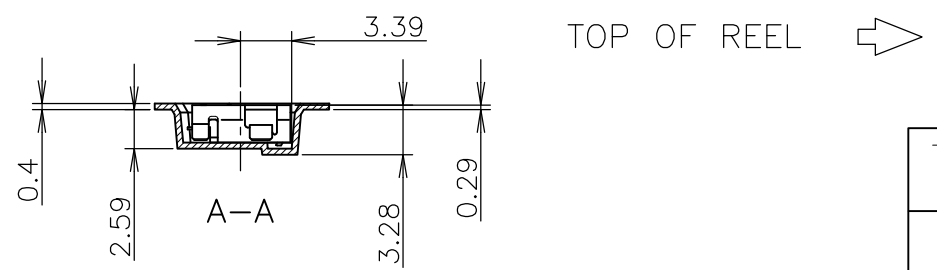
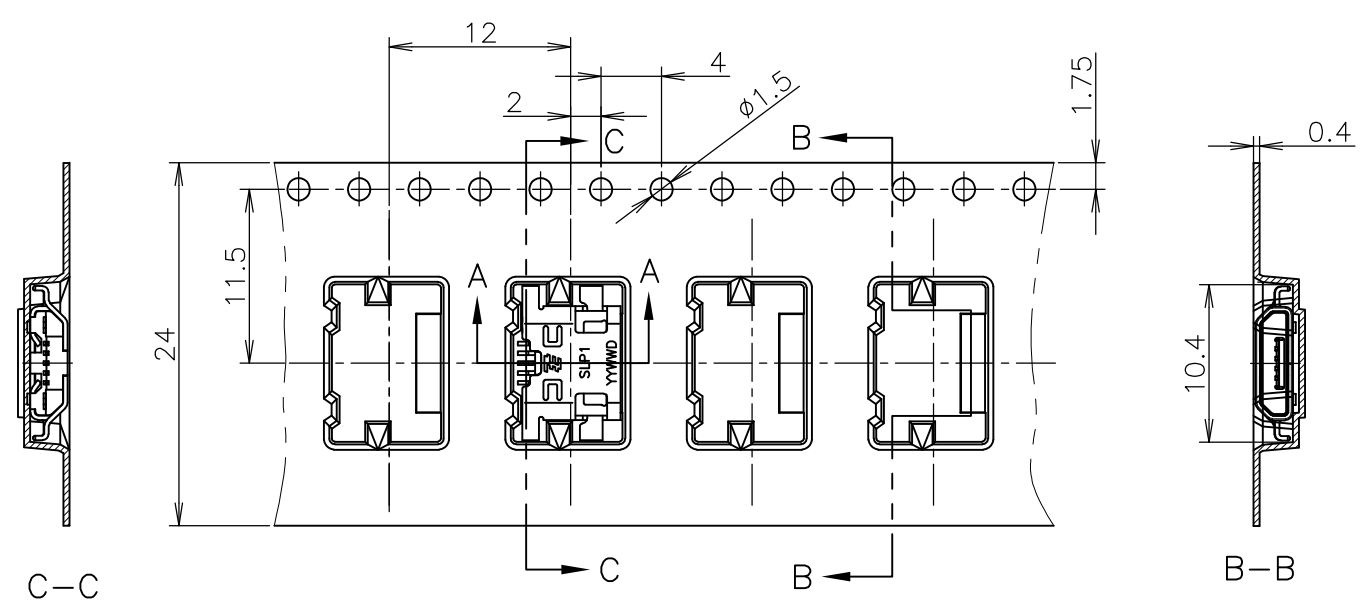
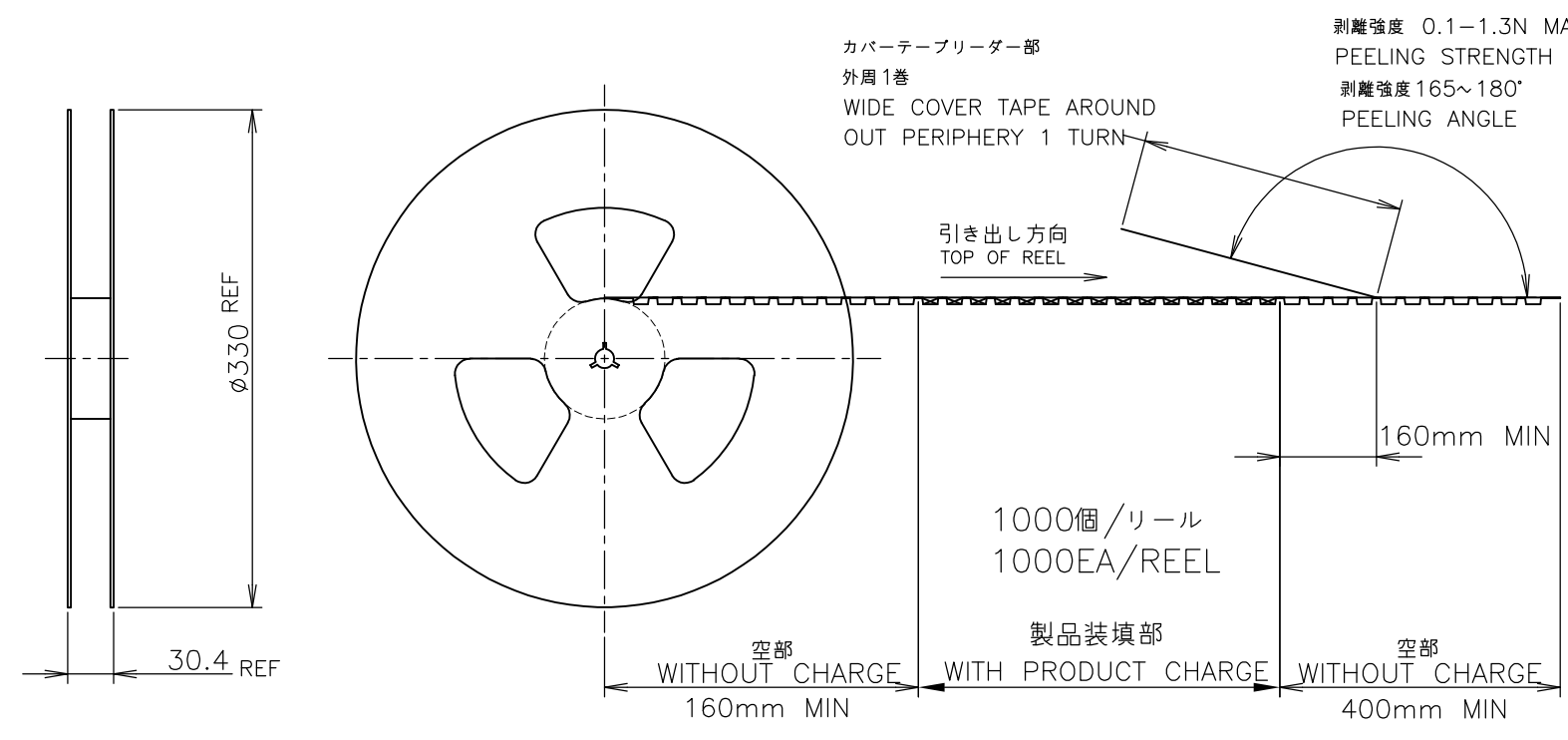
- 1 GENERAL TOLERANCE: ±0.3
- 2 CONTACT TINE COPLANALITY; 0.08mm MAX
- ③ MATERIAL HOUSING: THERMO PLASTIC RESIN
CONTACT: COPPER ALLOY
SHELL: STAINLESS STEEL
- ④ FINISH
CONTACT; Ni UNDER PLATING ALL OVER
Au PLATING ON SOLDERING AREA
Au PLATING ON CONTACT AREA
SHELL; Ni UNDER PLATING ALL OVER
Sn PLATING ALL OVER
- 5 PREVENTION OF WRENCHING
PLEASE HOLD THE TOP AND THE SIDE OF CONNECTOR BY THE CASE.
- 6 PREVENTION OF HITTING DURING PLUG INSERTION
PLEASE SET THE INSERTION GUIDE ALONG THE MATING SURFACE.
- △ LOGO MARK
- ⑧ DATE CODE: YYWWD
(YEAR, WEEK, DAY)
SLP1 (SHIFT, LINE, P1: REVISION CODE)



THIS DRAWING IS A CONTROLLED DOCUMENT.		DWN C.OHASHI 25JUL2011	TE Connectivity	
DIMENSIONS: 単位: 耗 mm		CHK A.KUBO 25JUL2011		
TOLERANCES UNLESS OTHERWISE SPECIFIED: 一般公差		APVD T.KUSUHARA 25JUL2011	NAME 名称	
0 PLC ± 0.3		PRODUCT SPEC 製品規格		
1 PLC ± 0.3		108-78434		
2 PLC ± 0.3		APPLICATION SPEC 取付適用規格		
3 PLC ± 0.3		SIZE A3	CAGE CODE 00779	DRAWING NO G-2134441
4 PLC ± 0.3		RESTRICTED TO		
ANGLES ± 3'		CUSTOMER DRAWING		
FINISH 仕上		SCALE 尺度 8:1		
MATERIAL 材料		SHEET 1 OF 2		
③		REV A		

THIS DRAWING IS UNPUBLISHED. RELEASED FOR PUBLICATION JUL ,2011.
 © COPYRIGHT 2011 By Tyco Electronics Japan G.K. ALL RIGHTS RESERVED.

LOC	DIST	REVISIONS					
J	/	P	LTR	DESCRIPTION	DATE	DWN	APVD
		-		SEE SHEET 1	-	-	-



THIS DRAWING IS A CONTROLLED DOCUMENT.		DWN		STE TE Connectivity	
DIMENSIONS: 単位: 耗 mm		TOLERANCES UNLESS OTHERWISE SPECIFIED: 一般公差			
		0 PLC ± 0.3		NAME 名称	
		1 PLC ± 0.3		MICRO USB CONNECTOR MID-MOUNT DIP, FLANGELESS REVERSE TYPE	
MATERIAL 材料		FINISH 仕上			
		2 PLC ± 0.3		CAGE CODE	
		3 PLC ± 0.3		DRAWING NO 番号	
		4 PLC ± 0.3		RESTRICTED TO	
		ANGLES ± 3'		A3 00779 C-2134441	
		WEIGHT		SCALE 尺度 NTS	
		CUSTOMER DRAWING		SHEET 2 OF 2	
				REV A	

Mouser Electronics

Authorized Distributor

Click to View Pricing, Inventory, Delivery & Lifecycle Information:

[TE Connectivity:](#)

[2134441-2](#)