

PART NAME

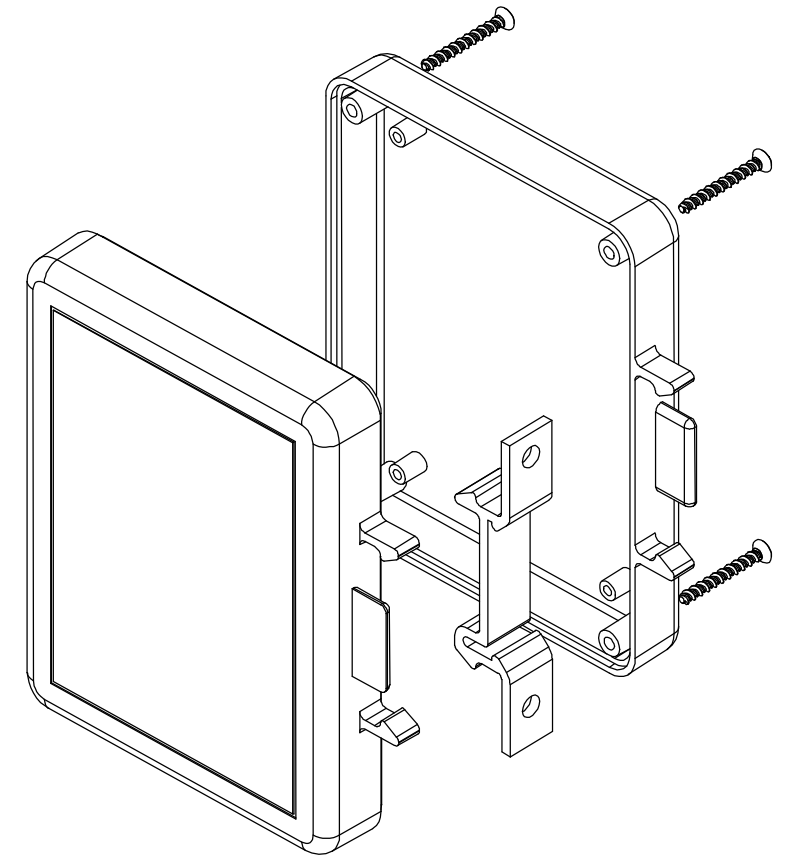
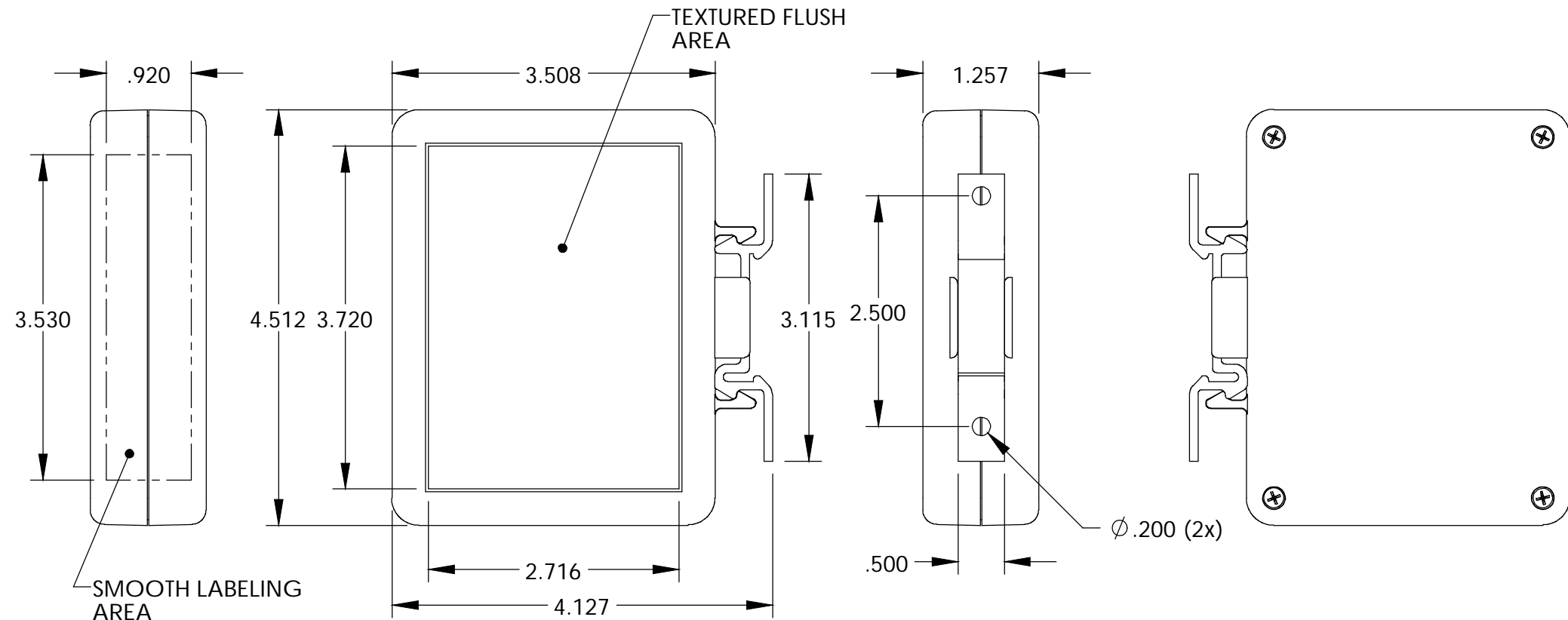
DIN RAIL MOUNT PLASTIBOX

PART NO.

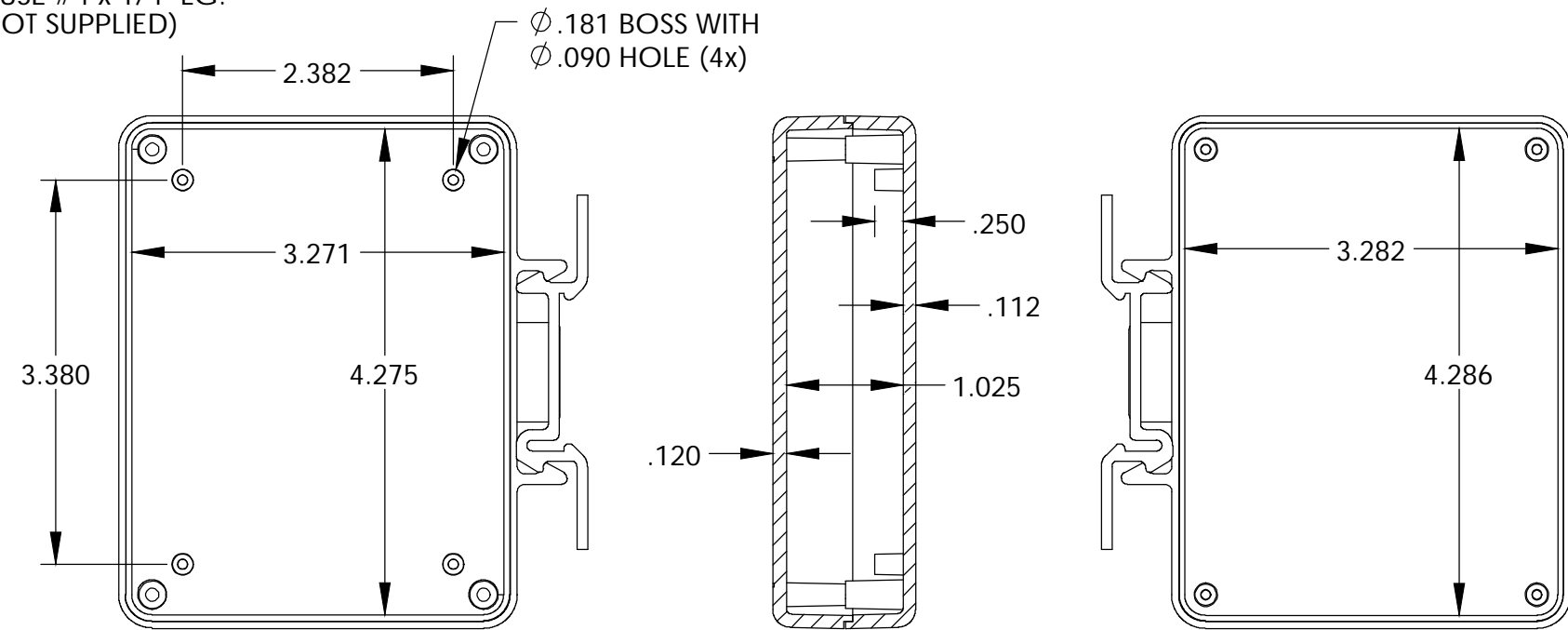
DPB-4760

REVISION DATE

-



NOTE: MOUNTING BOSSES USE #4 x 1/4" LG. SELF-TAPPING SCREWS (NOT SUPPLIED)



INSIDE VIEW OF BASE

INSIDE VIEW OF COVER

MATERIAL: ABS WITH UL94-5VA FLAMMABILITY RATING

FINISH: BASE & COVER - TEXTURED BLACK
MOUNTING CLIP - SMOOTH BLACK

FOUR (4) #4 x 31/32 LG. SELF-TAPPING BLACK SCREWS SUPPLIED FOR ASSEMBLY

UNIT FITS DIN-35 RAIL

ALL DIMENSIONS HAVE $\pm .015$ TOLERANCE

Mouser Electronics

Authorized Distributor

Click to View Pricing, Inventory, Delivery & Lifecycle Information:

[Bud Industries:](#)

[DPB-4760](#)