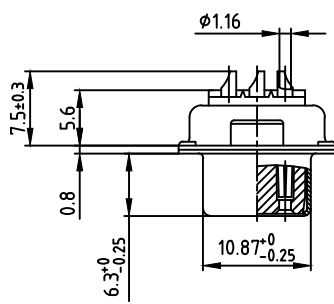
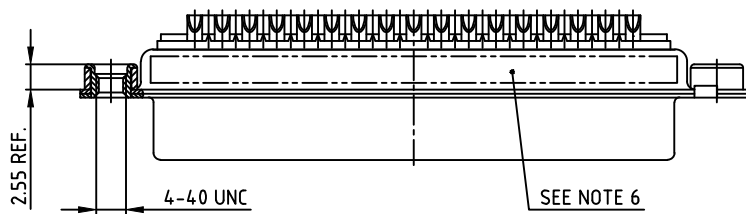
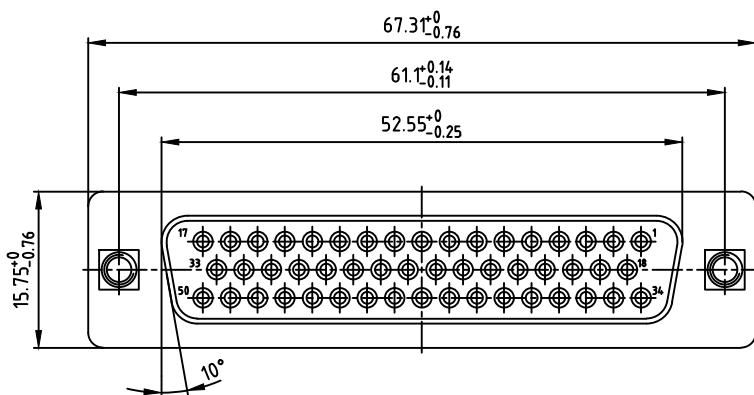


used for: D-SUB



- NOTES:
- METALSHELLS: STEEL; min. 320µin TIN
 - INSULATORS: PBT GF UL 94 V-0, BLACK
 - CONTACTS: COPPER ALLOY
PLATING: GOLD FLASH over NICKEL
SOLDER CUP ACCEPTS CABLE AWG 20
 - THREADED INSERT: COPPER ALLOY; min. 200µin TIN over 80µin NICKEL
 - MAXIMUM TORQUE VALUE FOR THREAD: 6in LBS
 - CONNECTOR IS PART MARKED: 164A10259X CONEC ABC

Directive 2002/95/EC RoHS compliant

APPROVAL # FREIGABE # DEBLOCAGE # AUTORIZACION # APPROVAL	
CUSTOMER APPROVAL DATE:	
NAME:	TITLE:
COMPANY NAME:	
APPROVAL # FREIGABE # DEBLOCAGE # AUTORIZACION # APPROVAL	

THIS DRAWING MAY NOT BE COPIED OR REPRODUCED IN ANY WAY, AND MAY NOT BE PASSED ON TO A THIRD PARTY WITHOUT WRITTEN PERMISSION. OWNERSHIP AND COPYRIGHT OF CONEC GmbH DO NOT ALTER CAD DRAWING BY HAND

rev.	description	date	name
a	Origin		

tolerance		scale:	2:1
	dim. in mm	material:	SEE NOTES
2006	date	name	title:
drawn	08.02.	Lehmenkühler	D-SUB FEMALE
appd.	08.02.	Mickenbecker	50pos. SOLDER CUP
	norm	DIN 41652	with threaded insert
	d-old		



dwg no:	AutoCAD 2004	DIN-A	3
	16K1A1741		sh:1/1
part no:	164A10259X		

Mouser Electronics

Authorized Distributor

Click to View Pricing, Inventory, Delivery & Lifecycle Information:

[CONEC:](#)

[164A10259X](#)