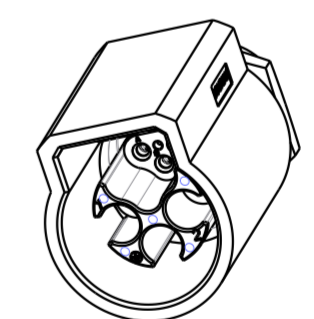
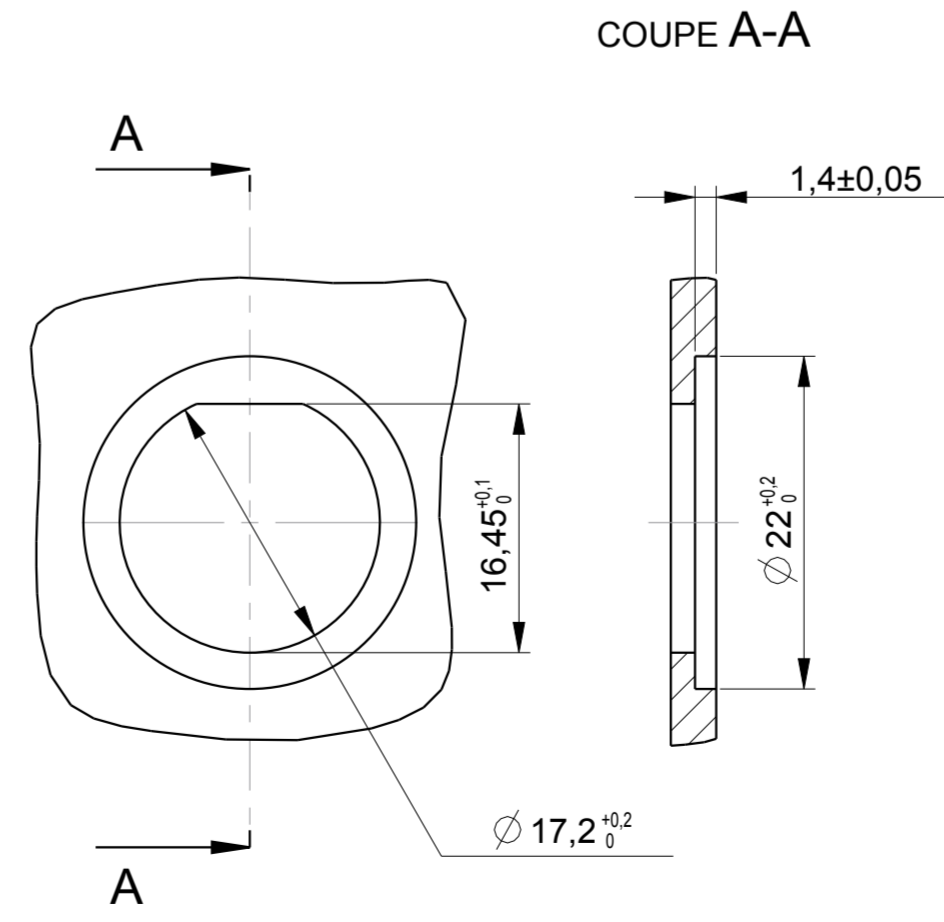
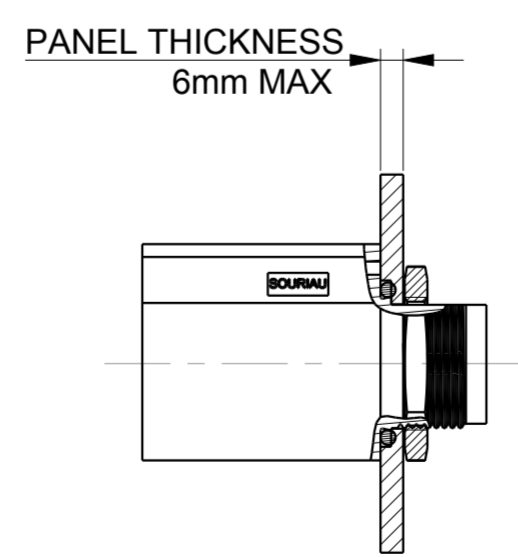
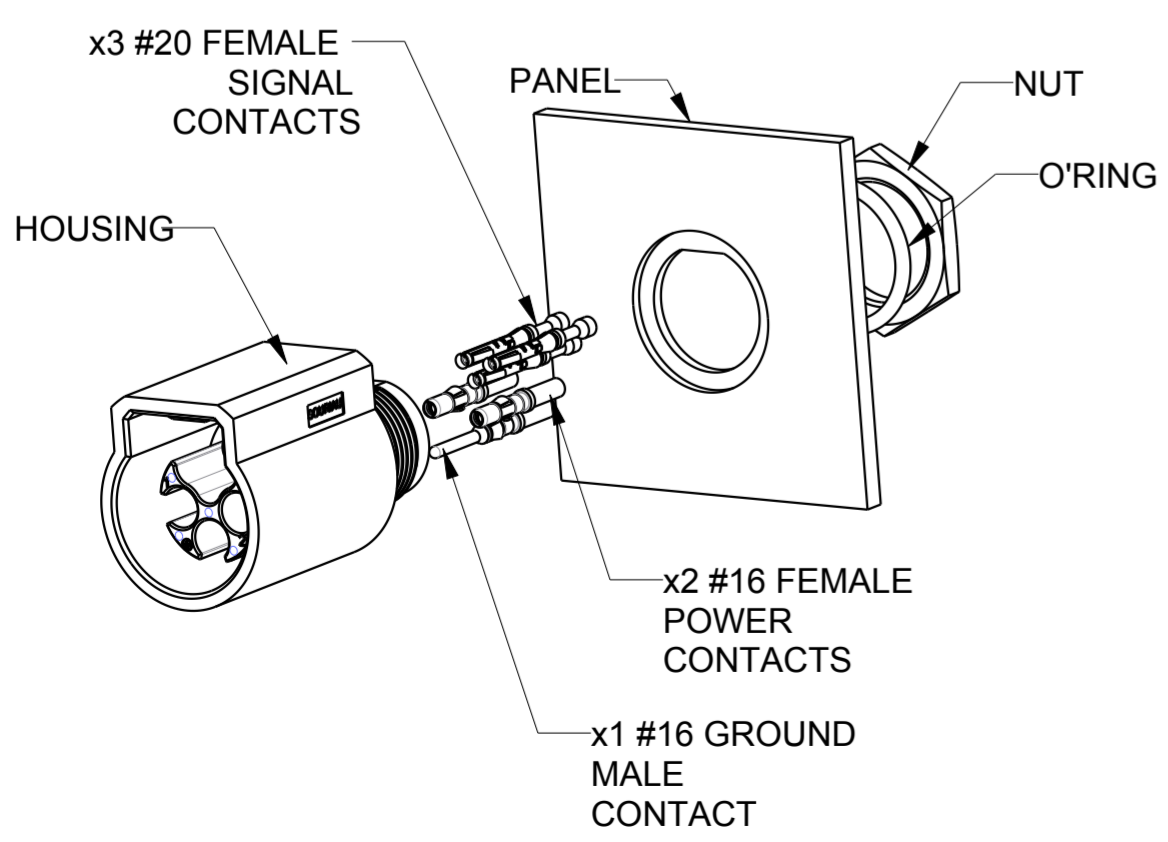


NOTES

| | | |
|---------------------------------|--------------------------------|---|
| MATERIALS | SEE TABLE | |
| HOUSING | NEOPREN | |
| O'RING | ALUMINIUM ALLOY BLACK ANODIZED | |
| NUT | | |
| PERFORMANCES CHARACTERISTICS | | |
| MECHANICAL | | |
| TEMPERATURE CLASS | IEC61984/UL1977 | -40°C TO 105°C |
| DURABILITY | IEC61984 | 500 MATE / UNMATE CYCLES |
| SEALING IN MATED CONDITIONS | IEC60529 | IP68 1BAR DURING 1WEEK |
| | DIN40050 | IP69K |
| SEALING IN UNMATED CONDITIONS | IEC60529 | IP67 WITH CAPS |
| POLLUTION DEGREE | IEC61984 | 4 |
| CORROSION SALT SPRAY | | MIN 1000H |
| FLAMMABILITY | UL94 | MATERIAL RATING: 5VA |
| OUTDOOR SUITABILITY (UV RESIST) | UL746C | MATERIAL RATING: (f1) |
| SCOOP PROOF | | |
| ELECTRICAL | | |
| TOUCH PROOF | IEC60529 | IP2X |
| POWER AND GROUND LINES: | | |
| NOMINAL CURRENT | UL1977 | 16A WITH AWG14 WIRE / 13A WITH AWG16 WIRE |
| NOMINAL CURRENT | IEC61984 | 16A WITH 2.5MM² WIRE / 13A WITH 1.5MM² WIRE AT 60°C |
| NOMINAL VOLTAGE | | |
| NOMINAL VOLTAGE | UL1977 | 600V |
| | IEC61984 | 250VAC 4KV 4 FOR CLASS II |
| | IEC61984 | 500VAC 6KV 4 FOR CLASS I |
| SIGNAL CONTACT (a,b,c) LINES: | | |
| NOMINAL VOLTAGE | IEC61984 | 48V AC |
| NOMINAL CURRENT | IEC61984 | 5A |

- ROHS COMPLIANT
- COUNTERPART REFERENCE UTL PLUG
 - CONNECTORS ARE DELIVERED AS PRE-ASSEMBLED KIT
 - CONNECTOR BLOCKS ACCEPTS TRIM TRIO CONTACTS #16 AND #20, R*M* OR S*M* TYPES
 - CONTACTS TO BE ORDERED SEPARATELY.
 - WARNING: PHASE CONTACTS AND SIGNAL CONTACT ARE FEMALE VERSION AND GROUND CONTACT IS MALE VERSION
 - UNIT IN MM

| P/N | HOUSING' S MATERIAL |
|----------------|-----------------------------------|
| UTL7102G1W3S | PA GF REINFORCED BLACK COLOR |
| UTL7102G1W3S03 | PA GF REINFORCED LIGHT GREY COLOR |



| | | | |
|---|----------------|---|---|
| P/N : SEE TABLE | | | |
| C | 06/03/2015 | Clearances dimensions modification | 23869 |
| ISS | DATE | Latest modification - by: | MOD N° |
| | | Designed by: RAGAINÉ M. Date:23/07/2013 | COUTY L. |
| CUSTOMER DRAWING | | | |
| TITLE | | | |
| FEMALE RECEPTACLE SIZE 10 LAYOUT 6 CONTACTS | | | |
| UTL CONNECTOR | | | |
| Scale | 1/1 | General linear Tolerances: ± 0,2 | NPRDS / PROJECT UTL |
| SOURIAU | | WWW.SOURIAU.COM | This document is the property of SOURIAU It must not be reproduced or communicated without permission |
| FORMAT | SOURIAU DRG N° | | SHEET |
| A2 | UTL1-0048A-C01 | | 1/1 |

Mouser Electronics

Authorized Distributor

Click to View Pricing, Inventory, Delivery & Lifecycle Information:

[Souriau:](#)

[UTL7102G1W3S](#)