

L-Series Switch

The L-Series rocker switch is an innovative product offering total design flexibility, while at the same time setting new standards for performance and reliability. Its versatile design features include a neatly proportioned size that fits into an industry standard mounting hole of 1.734 x .867 (44.0mm x 22.0mm), countless unique choices for ratings, circuits, colors, illuminations and laser etched legends. These single or double pole switches also feature a broad choice of actuator styles, colors, and lenses with up to twelve terminals offering an extensive range of switch and lamp circuit options, including LED or incandescent illumination. Additionally, an optional plug-in terminal connector enables pre-wiring of wire your harness.

Typical Applications:

- ◆ Construction machinery
- ◆ Agricultural equipment
- ◆ On-highway transportation equipment



Performance Features:

- ◆ IP67 certified sealed front panel components
- ◆ Withstands temperatures from -40°C to +85°C
- ◆ Vibration, shock, thermoshock, moisture and salt spray resistant



Carling Technologies™
Innovative Designs. Powerful Solutions.

L-Series Switch

DESIGN FEATURES

LED LAMPS

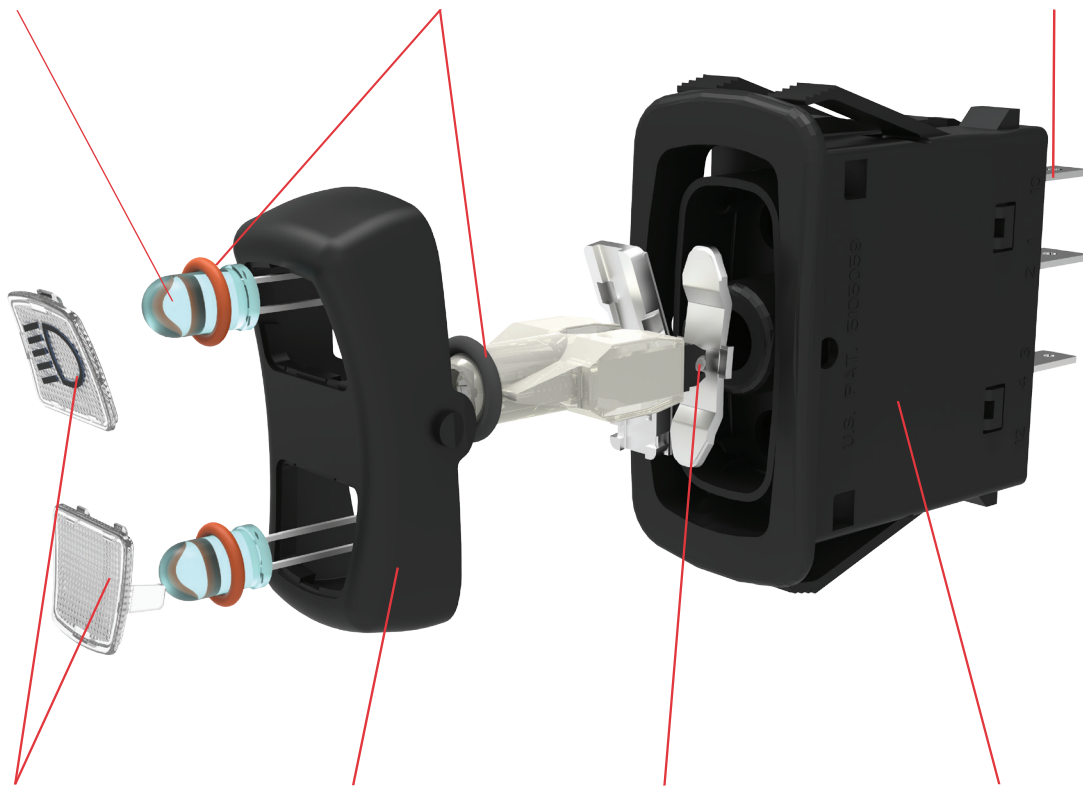
Utilize less current and are not affected by vibration, providing long lasting illumination. Available in 3 standard colors.

SEAL PROTECTION

Locks out elements such as water, dust & debris. Certified to IP67 for front panel components.

TERMINALS

Available with 2 industry standard termination options: .250 or .187 tabs with up to 12 terminal options.



LENS & LEGENDS

Lens available in 2 sizes and 6 standard colors in either translucent or transparent materials. Numerous symbols and text available for imprinting or laser etching.

ACTUATOR

Available in rocker or paddle styles. Several standard color options also available.

ROLLER PIN

Eliminates need for lubricants, increasing the temperature range of the switch from -40° C to +85° C [-40° F to 185° F].

BASE

Fits into industry standard mounting hole of 1.734 x .867 in [44.0mm x 22.0mm].

Electrical

| | |
|----------------------------|---|
| Contact Rating | .4VA @ 24VDC (MAX) resistive 15 amps, 125VAC 10 amps, 250VAC 20 amps, 4-14VDC 15 amps, 15-28VDC |
| Dielectric Strength | 1250 Volts RMS between pole to pole 3750 Volts RMS between live parts and accessible surfaces |
| Insulation Resistance | 50 Megaohms |
| Initial Contact Resistance | 10 milliohms max. @ 4 VDC |
| Life | 100,000 cycles maintained, 50,000 cycles momentary at rated voltage and current |
| Contacts | 90/10 silver-nickel, silver tin-oxide, gold |
| Terminals | Brass or copper/silver plate 3/16" (4.76mm) & 1/4" (6.3mm) Quick Connect terminations standard. |

Mechanical

| | |
|-----------|------------------------|
| Endurance | 250,000 cycles minimum |
|-----------|------------------------|

Physical

| | |
|-----------|--|
| Lighted | Incandescent - rated 10,000 hours LED - rated 100,000 hours 1/2 life (LED is internally ballasted for voltages to 24 VDC) |
| Seals | Rocker, base & bracket are sealed. |
| Base | Nylon 66 GF rated to 85°C with a flammability rating of 94V0. |
| Actuator | Basic actuator structure molded of thermoplastic polycarbonate with a hard Nylon 66 thermoplastic surface overlay. |
| Lock | Acetal |
| Lens | Polycarbonate rated at 100°C |
| Function | 2 & 3 Position Rocker Style |
| Bracket | Nylon Zytel |
| Connector | Nylon 66 rated at 85°C. Polarized. |

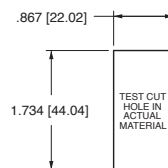
Actuator Travel (Angular Displacement)

| | |
|-------------|-----------------|
| 2 position | 26° |
| 3 positions | 13° from center |

Environmental

| | |
|-----------------------|--|
| Environmental | IP67 for above panel components of the actual switch, representing an index of protection as applied to electrical equipment in accordance with IEC 529, BS 5490, DIN 400 50 & NFC 20 010. |
| Corrosion | Mixed Flowing Gas MFG Class III per ASTM B-827 & B-845, Method H, with 3 years exposure. |
| Operating Temperature | -40°C to + 85°C |
| Vibration 1 | Per Mil-Std 202F, Method 204D Test Condition A 0.06 DA or 10G's 10-500 Hz. Tested with VCH connector. Test criteria - No loss of circuit during test and pre and post test contact resistance. Resonance search 24-50 Hz 0.40 DA 50-2000 ±10 G's peak Results Horizontal Axis 3-5 G's max. Random 24 Hz 0.06 PSD-Gsq/Hz 60 Hz 0.50 100 Hz 0.50 200 Hz 0.025 2000 Hz 0.025 |
| Vibration 2 | No loss of circuit during test; <10µ chatter. |
| Shock | Per Mil-Std 202F, Method 213B, Test Condition K @ 30G's. Tested with VCH connector. Test criteria - No loss of circuit during test, pre, and post test contact resistance. |
| Salt Spray | Per Mil-Std 202F, Method 101D, Test Condition A, 48 Hrs. |
| Thermal Shock | Per Mil-Std 202F, Method 107F, Test Condition A, -55°C to 85°C. Test criteria - pre and post test contact resistance. |
| Moisture Resistance | Per Mil-Std 202F, Method 106F, Test Criteria - pre and post test contact resistance. |

Mounting Specifications



MOUNTING HOLE

Panel Thickness Range
Acceptable Panel Thickness
.030 to .156 (.76mm to 3.96mm)
Recommended:
.030, .062, .093, .125 and .156

*Manufacturer reserves the right to change product specification without prior notice.

L 11 E 3 C H N 1 - 3 A A 45 - 1 48

1 Series 2 Circuit 3 Rating 4 Termination Illumination 5 Lamp 6 Lamp 7 Lamp 8 Bracket 9 Actuator 10 Lens Style & Color 11 Lens Style & Color 12 Legend 13 Legend Orientation 14 Actuator Lens Legend

1 SERIES
L

2 CIRCUIT²
Terminal Orientation () - momentary



| Position: | 1 | 2 | 3 |
|-----------|-----------------|---------------------|--------------|
| SP | DP 2 & 4, 6 & 8 | Connected Terminals | 1 & 2, 5 & 6 |
| 11 | 21 ON | NONE | OFF |
| 12 | 22 (ON) | NONE | OFF |
| 13 | 23 ON | NONE | (OFF) |
| 14 | 24 ON | NONE | ON |
| 15 | 25 ON | NONE | (ON) |
| 16 | 26 ON | OFF | ON |
| 17 | 27 ON | OFF | (ON) |
| 18 | 28 (ON) | OFF | (ON) |

SP - single pole - uses terminals 1, 2 & 4.
DP - double pole uses terminals 5, 6 & 8.
Terminals 9, 10 & 11 for lamp circuit only.

CIRCUITS WITH JUMPER TERMINALS
30* (2,4&5), (1,6&8) OFF, OFF (1,2&8), (4,5&6)
31 1, 2 & 5 2, 3 & 7 2, 4 & 8

PROGRESSIVE CIRCUITS

| | 1 | 2 | 3 |
|-----|-----------------|--------------|------------------|
| 51 | 3 & 4 | 2 & 3 | 1 & 2 |
| 52 | 3 & 4 | 2 & 3 | OFF |
| 53 | (3 & 4) | 2 & 3 | 1 & 2 |
| 54 | (3 & 4) | 2 & 3 | OFF |
| 55 | (3 & 4) | 2 & 3 | (1 & 2) |
| 56 | (3 & 4) | 2 & 3 | (OFF) |
| 57 | 3 & 4 | 2 & 3 | (OFF) |
| 58* | 2 & 4 | 2 & 3 | 1 & 2 |
| 61 | 3 & 4, 7 & 8 | 2 & 3, 6 & 7 | 1 & 2, 5 & 6 |
| 62 | 3 & 4, 7 & 8 | 2 & 3, 6 & 7 | OFF, OFF |
| 63 | (3&4), (7&8) | 2 & 3, 6 & 7 | 1 & 2, 5 & 6 |
| 64 | (3&4), (7&8) | 2 & 3, 6 & 7 | OFF, OFF |
| 65 | (3&4), (7&8) | 2 & 3, 6 & 7 | (1 & 2), (5 & 6) |
| 66 | (3&4), (7&8) | 2 & 3, 6 & 7 | (OFF, OFF) |
| 67 | 3 & 4, 7 & 8 | 2 & 3, 6 & 7 | (OFF, OFF) |
| 68 | 2 & 4, 7 & 8 | 2 & 4, OFF | OFF, OFF |
| 69* | 2 & 4, 1, 7 & 8 | 2 & 4, OFF | OFF, OFF |
| 70 | (2&4), (7&8) | 2 & 4, 5 & 7 | (1 & 2), (5 & 7) |
| 71 | (2&4), (7&8) | 2 & 4, 5 & 7 | 1 & 2, 5 & 7 |
| 72 | 2 & 4, 7 & 8 | 2 & 4, 5 & 7 | 1 & 2, 5 & 7 |
| 73 | (2&4), (7&8) | 2 & 4, OFF | OFF, OFF |
| 80 | 2 & 4, 6 & 8 | 2 & 4, OFF | OFF, 5 & 6 |

HAZARD WARNING CIRCUITS
A2 6, 7 & 8, 3 & 4 NONE OFF, 1 & 2
A3 6, 7 & 8, 2 & 4 NONE OFF, 1 & 2
* Available with ratings 1, 4, & E only.

3 RATING²

| | |
|---|---|
| 1 | .4VA @ 28VDC Resistive |
| 4 | 10A 250VAC 1/2 HP, 15A 125VAC 1/2 HP, No Listings |
| B | 15A 24V |
| C | 20A 18V |
| D | 20A 12V |
| E | 15A 12V |
| G | 20A 6V |
| H | 20A 3V |

4 TERMINATION^{2,3}

| | |
|---|-----------------------|
| 1 | .250 (6.4mm) TAB (QC) |
| 3 | .187 (4.7mm) TAB (QC) |

- Notes:
Consult factory to verify horsepower rating for your particular circuit choice.
1 Custom colors are available. Consult factory.
2 Circuits 30, 31, 58, 69 are not available with rating codes 4, C, D, G or H.
3 Termination 3 only available with rating codes 1, B, and E.
4 Not available with circuits 11-18, 51-57 and 69.

5 ILLUMINATION

Lamp #1: above terminals 9 & 10 end of switch.; Lamp #2 above terminals 11 & 12 end of switch. Positive (+) and negative (-) symbols apply to LED lamps only.

| S | Lamps | Illumination Type | Lamp wired to Terminals |
|----------------|-----------|------------------------------|-------------------------|
| A | # 1 | Independent | 10+ 9- |
| B | # 2 | Independent | 12+ 11- |
| C | # 1 & # 2 | Independent | 10+ 9- |
| D | # 1 | Dependent | 12+ 9- |
| E | # 1 | Independent | 4+ 9- |
| F ⁴ | # 1 | Independent | 10+ 9- |
| | & # 2 | Dependent | 8+ 9- |
| G | # 1 | Dependent | 4+ 9- |
| H | # 1 & # 2 | Both Independent (in series) | 10+ 9- |
| J | # 1 | Dependent | 4+ 9- |
| | & # 2 | Dependent | 1+ 9- |
| 1 | # 2 | Hazard | 6+ 10- 12- |
| 2 | # 1 | Hazard | 6+ 10- 12- |

6.7 LAMP (SAME CODING FOR BOTH SELECTIONS)

Selection 6: above terminals 10 & 9; Selection 7: above terminals 12 & 11

| | | | | | |
|--------------|------|-------|-------|-------|-------|
| No lamp | 0 | | | | |
| Incandescent | 4 3V | 5 6V | 6 12V | 7 18V | 8 24V |
| LED* | Red | Amber | Green | | |
| 2VDC | A | L | F | | |
| 6VDC | B | M | G | | |
| 12VDC | C | N | H | | |
| 24VDC | D | P | J | | |

* Consult factory for "daylight bright", blue/green and white LED options.
Typical current draw for LED is 20ma.

8 BRACKET COLOR¹

| | Black | White | Gray | Red |
|-----------------------|-------|-------|------|-----|
| Standard Bracket | 1 | 2 | 3 | 4 |
| Rockerguard at Lamp 1 | A | B | C | D |
| Rockerguard at Lamp 2 | E | F | G | H |

9 ACTUATOR STYLE AND COLOR¹

| | Black | White | Gray | Red | Laser Etched |
|--------|-------|-------|------|-----|--------------|
| Rocker | A | B | C | D | 3 |
| Paddle | J | N | K | M | 4 |

10 & 11 LENS STYLE AND COLOR

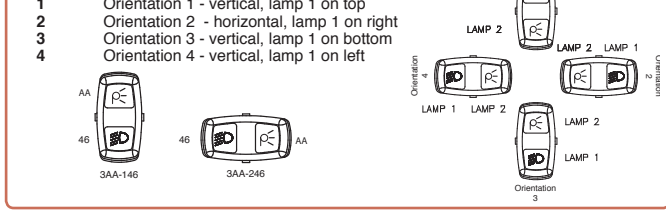
Lens color for LEDs must be clear, white, or match color of LED.
0 - No Actuator Z - No Lens

| Clear | White | Amber | Green | Red | Blue |
|-------|-------|-------|-------|-----|-------------------------------|
| 1 | - | B | G | M | T Large Transparent |
| - | 7 | C | H | N | U Large Translucent |
| 3 | - | D | J | P | V Bar Transparent |
| - | 9 | E | K | R | W Bar Translucent |
| 5 | A | - | - | - | Laser Etched background color |

12 LASER ETCHED, LENS OR BODY LEGEND

00 No legend this location / no actuator
For legend options & codes, visit us at carlingtech.com

13 LEGEND ORIENTATION



14 ACTUATOR LENS LEGEND

00 No legend this location / no actuator
For legend options & codes, visit us at carlingtech.com

L 11 D 1 S W C J - P M H 00 - 0

1 Series 2 Circuit 3 Rating 4 Termination 5 Illumination 6 Lock 7 Lamp 8 Bracket 9 Actuator 10 Lens 11 Lock 12 Legend 13 Legend Orientation

1 SERIES
L

2 CIRCUIT⁵
Terminal Orientation () - momentary



SP - single pole - uses terminals 1, 2 & 4.
DP - double pole uses terminals 5, 6 & 8.
Terminals 9, 10 & 11 for lamp circuit only.

| Position: | 1 | 2 | 3 (Lock location) |
|-----------|--------------|---------------------|-------------------|
| SP | 2 & 4, 6 & 8 | Connected Terminals | 1 & 2, 5 & 6 |
| 11 | 21 ON | NONE | OFF |
| 14 | 24 ON | NONE | ON |
| 16 | 26 ON | OFF | ON |
| 17 | 27 ON | OFF | (ON) |
| 18 | 28 (ON) | OFF | (ON) |

CIRCUITS WITH JUMPER TERMINALS

| | | | |
|-----------------|------------------|----------|------------------|
| 30 ² | (2,4&5), (1,6&8) | OFF, OFF | (1,2&8), (4,5&6) |
| 31 ² | 1, 2 & 5 | 2, 3 & 7 | 2, 4 & 8 |

PROGRESSIVE CIRCUITS

| | | | |
|----|------------------|--------------|------------------|
| 51 | 3 & 4 | 2 & 3 | 1 & 2 |
| 52 | 3 & 4 | 2 & 3 | OFF |
| 53 | (3 & 4) | 2 & 3 | 1 & 2 |
| 54 | (3 & 4) | 2 & 3 | OFF |
| 55 | (3 & 4) | 2 & 3 | (1 & 2) |
| 56 | (3 & 4) | 2 & 3 | (OFF) |
| 57 | 3 & 4 | 2 & 3 | (OFF) |
| 58 | 2 & 4 | 2 & 3 | 1 & 2 |
| 61 | 3 & 4, 7 & 8 | 2 & 3, 6 & 7 | 1 & 2, 5 & 6 |
| 62 | 3 & 4, 7 & 8 | 2 & 3, 6 & 7 | OFF, OFF |
| 63 | (3 & 4), (7 & 8) | 2 & 3, 6 & 7 | 1 & 2, 5 & 6 |
| 64 | (3 & 4), (7 & 8) | 2 & 3, 6 & 7 | OFF, OFF |
| 65 | (3 & 4), (7 & 8) | 2 & 3, 6 & 7 | (1 & 2), (5 & 6) |
| 66 | (3 & 4), (7 & 8) | 2 & 3, 6 & 7 | (OFF, OFF) |
| 67 | 3 & 4, 7 & 8 | 2 & 3, 6 & 7 | (OFF, OFF) |
| 68 | 2 & 4, 7 & 8 | 2 & 4, OFF | OFF, OFF |
| 69 | 2 & 4, 1, 7 & 8 | 2 & 4, OFF | OFF, OFF |
| 70 | (2 & 4), (7 & 8) | 2 & 4, 5 & 7 | (1 & 2), (5 & 7) |
| 71 | (2 & 4), (7 & 8) | 2 & 4, 5 & 7 | 1 & 2, 5 & 7 |
| 72 | 2 & 4, 7 & 8 | 2 & 4, 5 & 7 | 1 & 2, 5 & 7 |
| 73 | (2 & 4), (7 & 8) | 2 & 4, OFF | OFF, OFF |
| 80 | 2 & 4, 6 & 8 | 2 & 4, OFF | OFF, 5 & 6 |

3 RATING⁵

1 .4VA @ 28VDC Resistive
4 10A 250VAC 1/2 HP, 15A 125VAC 1/2 HP, No Listings
B 15A 24V
C 20A 18V
D 20A 12V
E 15A 12V
G 20A 6V
H 20A 3V

4 TERMINATION⁴

1 .250 (6.4mm) TAB (QC)
3 .187 (4.7mm) TAB (QC)

5 ILLUMINATION²

Lamp #1: above terminals 9 & 10 end of switch.; Lamp #2 above terminals 11 & 12 end of switch. Positive (+) and negative (-) symbols apply to LED lamps only.

| Lamps | Illumination Type | Lamp wired to Terminals |
|-------|-------------------|-------------------------|
| S | NONE | |
| B | # 2 | 12+ 11- |

Notes:
Consult factory to verify horsepower rating for your particular circuit choice.
1 Custom colors are available. Consult factory.
2 Additional lamp circuits available. Consult factory.
3 Available only with 3 position circuits.
4 Termination 3 only available with ratings 1, B and E.
5 Circuits 30, 31, 58 and 69, are not available with rating codes 4, C, D, G or H.

6 LOCK
W Lock above terminals 10 & 9.

7 LAMP

Above terminals 12 & 11

| | | | | | |
|--------------|------|-------|-------|-------|-------|
| No lamp | 0 | | | | |
| Incandescent | 4 3V | 5 6V | 6 12V | 7 18V | 8 24V |
| LED* | Red | Amber | Green | | |
| 2VDC | A | L | F | | |
| 6VDC | B | M | G | | |
| 12VDC | C | N | H | | |
| 24VDC | D | P | J | | |

* Consult factory for "daylight bright", blue/green and white LED options.
Typical current draw for LED is 20ma.

8 BRACKET COLOR¹
J Black

9 ACTUATOR STYLE AND COLOR¹

| | | |
|----------------|-------|-----|
| | Black | Red |
| Locking Rocker | P | R |

10 LENS STYLE AND COLOR

Lens color for LEDs must be clear, white, or match color of LED.

0 - No Actuator Z - No Lens

| | Clear | White | Amber | Green | Red | Blue |
|---|-------|-------|-------|-------|-----|-------------------|
| 1 | - | B | G | M | T | Large Transparent |
| - | 7 | C | H | N | U | Large Translucent |
| 3 | - | D | J | P | V | Bar Transparent |
| - | 9 | E | K | R | W | Bar Translucent |

11 LOCK FUNCTION AND COLOR

Locking Position

| Up | Down | Up & Down | Center ³ | Lock Color |
|----|------|-----------|---------------------|----------------|
| A | H | R | 1 | Match Actuator |
| B | J | S | 2 | Black |
| C | K | T | 3 | White |
| D | L | V | 4 | Red |
| E | M | W | 5 | Safety Orange |

12 LASER ETCHED, LENS OR BODY LEGEND

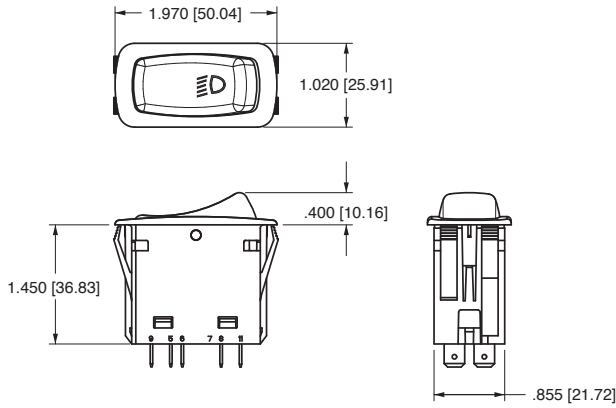
00 No legend this location / no actuator
For legend options & codes, visit us at carlingtech.com

13 LEGEND ORIENTATION

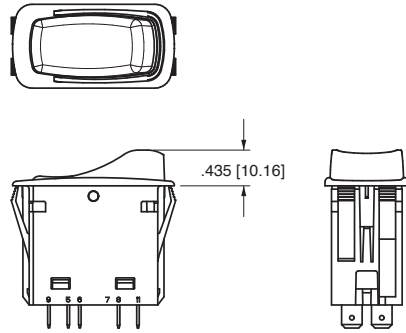
0 No legend (used with codes 11-18 in selection 12)
1 Orientation 1 - vertical, lamp 1 on top
2 Orientation 2 - horizontal, lamp 1 on right
3 Orientation 3 - vertical, lamp 1 on bottom
4 Orientation 4 - vertical, lamp 1 on left

Dimensional Specifications: in. [mm]

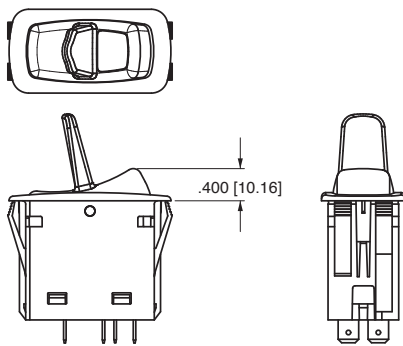
L-SERIES
SHOWN WITH LASER ETCHED
ACTUATOR



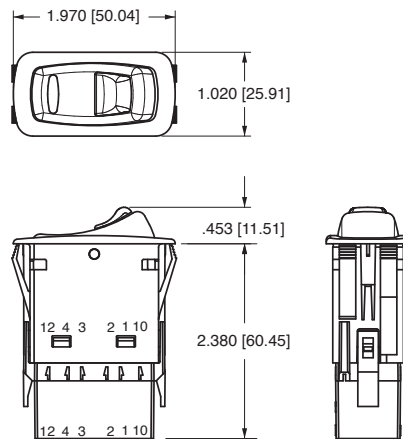
L-SERIES
SHOWN WITH ROCKER GUARD



L-SERIES
SHOWN WITH LARGE LENS
AND PADDLE ACTUATOR



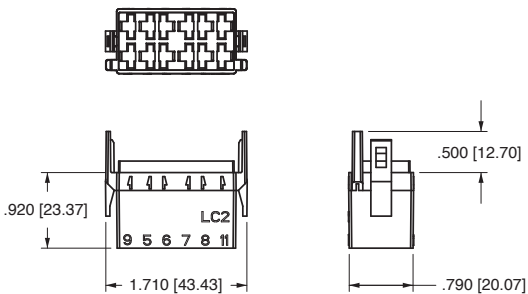
L-SERIES
SHOWN WITH BAR LENS, LOCK
AND CONNECTOR



Connector

L-SERIES
CONNECTOR

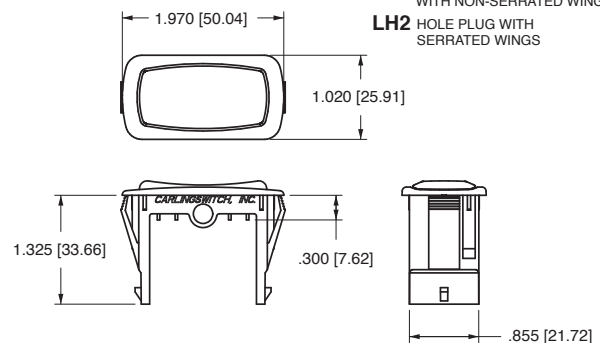
- LC1-01** BLACK .250 TAB CONNECTOR (PACKARD 630 SERIES)
- LC2-01** BLACK .187 TAB CONNECTOR (PACKARD 480 SERIES)
- LC3-01** BLACK .250 TAB CONNECTOR (AMP ONLY)



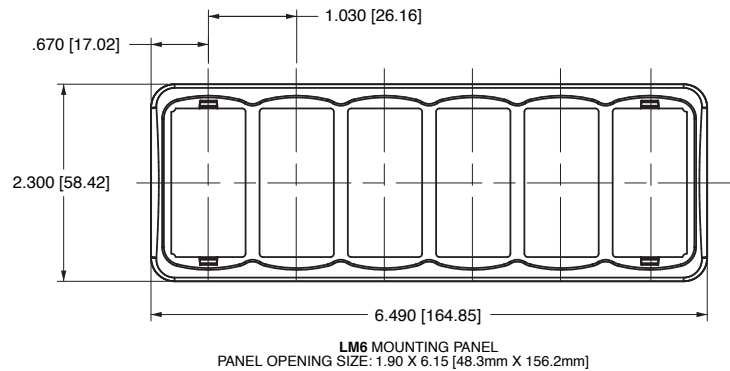
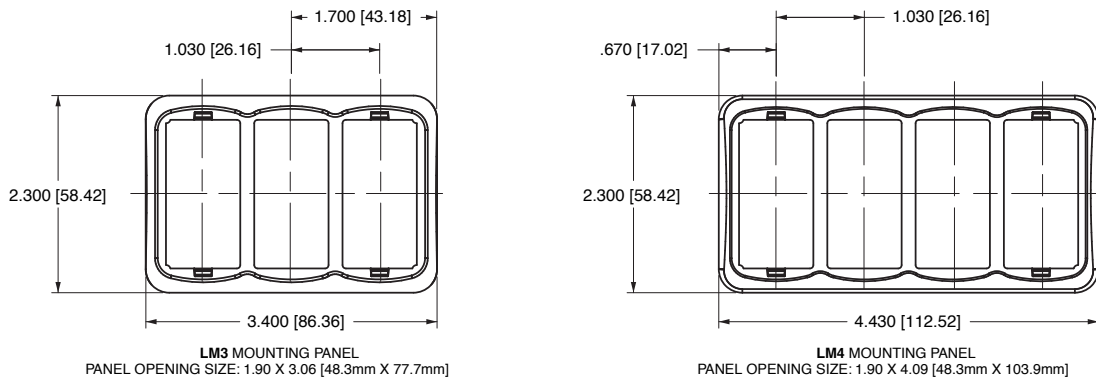
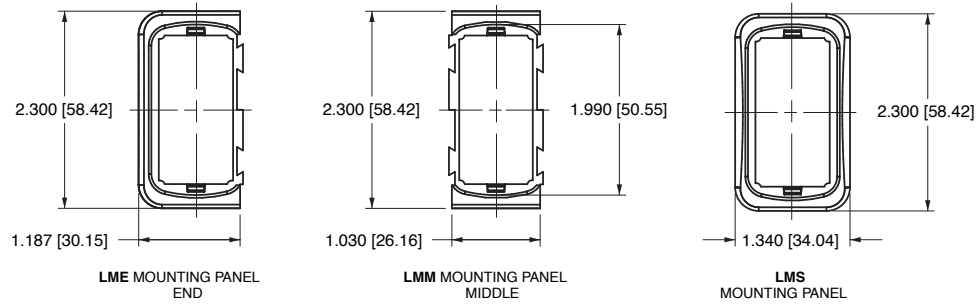
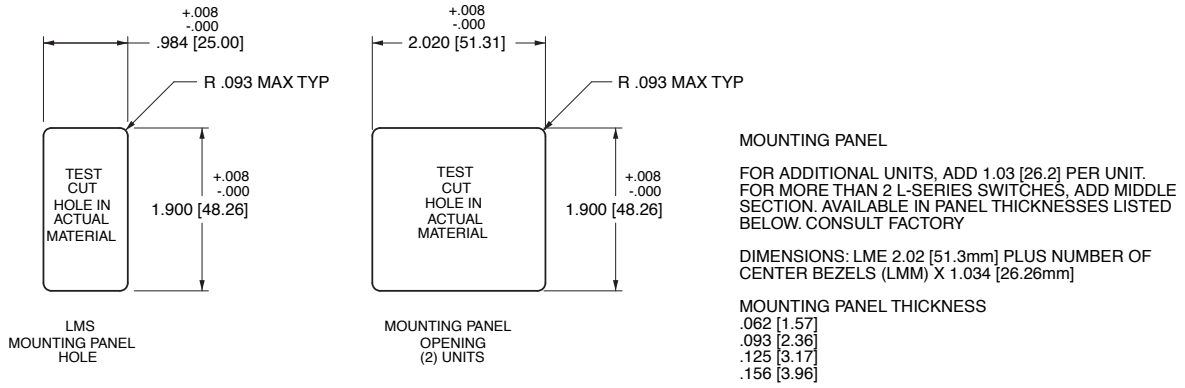
Hole Plug

L-SERIES
HOLE PLUG

- LH1** REMOVABLE HOLE PLUG WITH NON-SERRATED WINGS
- LH2** HOLE PLUG WITH SERRATED WINGS



Dimensional Specifications: in. [mm]



| CIRCUIT CODE | SCHEMATIC | CIRCUIT CODE | SCHEMATIC | CIRCUIT CODE | SCHEMATIC |
|--------------|-----------|--------------|-----------|--------------|-----------|
| 11 | | 22 | | 51 | |
| 12 | | 23 | | 52 | |
| 13 | | 24 | | 53 | |
| 14 | | 25 | | 54 | |
| 15 | | 26 | | 55 | |
| 16 | | 27 | | 56 | |
| 17 | | 28 | | 57 | |
| 18 | | 30 | | 58 | |
| 21 | | 31 | | 61 | |

| CIRCUIT CODE | SCHEMATIC | CIRCUIT CODE | SCHEMATIC |
|--------------|-----------|--------------|-----------|
| 62 | | 71 | |
| 63 | | 72 | |
| 64 | | 73 | |
| 65 | | 80 | |
| 66 | | 81 | |
| 67 | | 82 | |
| 68 | | A2 | |
| 69 | | A3 | |
| 70 | | | |

| ILLUMIN. CODE | SCHEMATIC |
|---------------|-----------|
| A | |
| B | |
| C | |
| D | |
| E | |
| F | |
| G | |
| H | |

| ILLUMIN. CODE | SCHEMATIC |
|---------------|-----------|
| J | |
| 1 | |
| 2 | |
| K | |

| LEGEND | |
|--------|---------------------------------------|
| SYMBOL | DEFINITION |
| | TERMINAL LOCATION |
| | LAMP LOCATION |
| | MAINTAINED CIRCUIT |
| | MOMENTARY CIRCUIT |
| | INTERNAL CONNECTION (JUMPER TERMINAL) |
| | 2 POSITION CONNECTION |
| | 2 POSITION |
| | 3 POSITION |

* Intentionally left blank

Worldwide Headquarters

Carling Technologies, Inc.
60 Johnson Avenue, Plainville, CT 06062
Phone: 860.793.9281 **Fax:** 860.793.9231
Email: sales@carlingtech.com

Northern Region Sales Office: nrsm@carlingtech.com
Southeast Region Sales Office: sersm@carlingtech.com
Midwest Region Sales Office: mrsm@carlingtech.com
West Region Sales Office: wrsm@carlingtech.com
Latin America Sales Office: larsm@carlingtech.com

Asia-Pacific Headquarters

Carling Technologies, Asia-Pacific Ltd.,
Kowloon, Hong Kong
Phone: Int + 852-2737-2277 **Fax:** Int + 852-2736-9332
Email: sales@carlingtech.com.hk

Shenzhen, China: shenzhen@carlingtech.com
Shanghai, China: shanghai@carlingtech.com
Pune, India: india@carlingtech.com
Kaohsiung, Taiwan: taiwan@carlingtech.com
Yokohama, Japan: japan@carlingtech.com

Europe | Middle East | Africa Headquarters

Carling Technologies LTD
4 Airport Business Park, Exeter Airport,
Clyst Honiton, Exeter, Devon, EX5 2UL, UK
Phone: Int + 44 1392.364422 **Fax:** Int + 44 1392.364477
Email: ltd.sales@carlingtech.com

Germany: gmbh@carlingtech.com
France: sas@carlingtech.com



Carling Technologies™

Innovative Designs. Powerful Solutions.

Mouser Electronics

Authorized Distributor

Click to View Pricing, Inventory, Delivery & Lifecycle Information:

Carling Technologies:

[L11B1A801-A7Z00-000](#) [L11B1AF01-00000-000](#) [L11B1AF01-AGZ00-000](#) [L11C1A701-00000-000](#) [L11C1D701-00000-000](#) [L11D1A601-00000-000](#) [L11D1AH01-A7Z00-000](#) [L11B1AJ01-3AZ4P-300](#) [L1111S001-AZZ00-000](#) [L1111S001-CZZ00-000](#) [L1113AN01-00000-000](#) [L1113CNN1-00000-000](#) [L1141S001-AZZ00-000](#) [L1141S002-BZZ00-000](#) [L11B1A801-AHZ00-000](#) [L11B1AD01-ANZ00-000](#) [L11B1AH01-A7Z00-000](#) [L11B1AJ01-A7Z00-000](#) [L11B1AJ01-AGZ00-000](#) [L11B1AJ01-AHZ00-000](#) [L11B1B0P1-AZC00-000](#) [L11B1C881-00000-000](#) [L11B1C881-A7700-000](#) [L11B1D801-ABZ00-000](#) [L11B1D801-AGZ00-000](#) [L11B1D801-AMZ00-000](#) [L11B1D801-ANZ00-000](#) [L11B1DD01-ARZ00-000](#) [L11B1DD0E-ARZ00-000](#) [L11B1DJ01-AGZ00-000](#) [L11B1EJJ1-AGJ00-000](#) [L11B1EJP1-A7900-000](#) [L11B1EJP1-AHC00-000](#) [L11B1EJP1-AHE00-000](#) [L11B1S001-JZZ00-000](#) [L11B1S004-MZZ00-000](#) [L11B3A801-AGZ00-000](#) [L11B3AJ01-AGZ00-000](#) [L11B3AP01-A7Z00-000](#) [L11B3CDD1-AMM00-000](#) [L11B3CPP1-A7700-000](#) [L11B3DJ01-AGZ00-000](#) [L11B3EPP1-A7700-000](#) [L11C1C771-00000-000](#) [L11C1D701-ABZ00-000](#) [L11C1D701-AGZ00-000](#) [L11C1D701-AMZ00-000](#) [L11C1D701-ARZ00-000](#) [L11C1D701-ATZ00-000](#) [L11C1D701-AWZ00-000](#) [L11C1E771-00000-000](#) [L11D1A601-ABZ00-000](#) [L11D1A601-AGZ00-000](#) [L11D1A601-AMZ00-000](#) [L11D1A601-AUZ00-000](#) [L11D1AC01-ANZ00-000](#) [L11D1AH01-00000-000](#) [L11D1AH01-A3Z00-000](#) [L11D1AN01-00000-000](#) [L11D1AN01-A9Z00-000](#) [L16D1EHN1-A7900-000](#) [L17D1EHN1-A7900-000](#) [L28D1EHN1-A7900-000](#) [L52D1EHN1-A7900-000](#) [L52D1S001-AZZ00-000](#) [L28E3S001-00000-000](#) [L28D1S001-JZZ00-000](#) [L62D1CHN1-A77XX-1XX-XAG1](#) [L28B1C881-A7700-000](#) [L26B1C881-A7700-000](#) [L24B1C881-A7700-000](#) [L18E1S001-3AAXX-1XX-XRSB1](#) [L18E1S001-3AAXX-1XX-XLSB1](#) [L28D1EXX1-A7900-000-XDAY1](#) [LXXE1S00X-XZZXX-1XX-XWEP1](#) [L24B1B0J1-AZH00-000](#) [L21B1GPP1-3AARU-3RW](#) [L68B1CPP1-3AAUW-3NY](#) [L27D1S001-JZZ00-000](#) [L24B1CXX1-A7700-000-XWHT1](#) [L21B1AP01-3AZUY-300](#) [L12B1AJ01-A1Z00-000](#) [L21B1GPP1-3AARU-3VZ](#) [L1111S00A-AZZ00-000](#) [L2411S001-AZZ00-0000](#) [L18B1S001-AZZ00-000](#) [L18E1S001-AZZ00-000](#) [L18E1S001-AZZ00-000-XAG1](#) [L70B1AD01-ARZ00-000](#) [L11D1D601-AGZ00-000](#) [L18B1S001-00000-000](#) [L24A1DP01-ACZ00-000-XMEL1](#) [L26D1CHH1-A1100-000](#) [L24D1DX01-AMZ00-000-XRD1](#) [L24D1S001-DZZ00-000](#) [L24E1C661-A7700-000](#) [L12D1XH01-00000-000-XVS1](#) [L12E3A601-3AZAG-100](#) [L13D1S001-AZZ00-000](#) [L70D1S001-AZZ00-000](#)