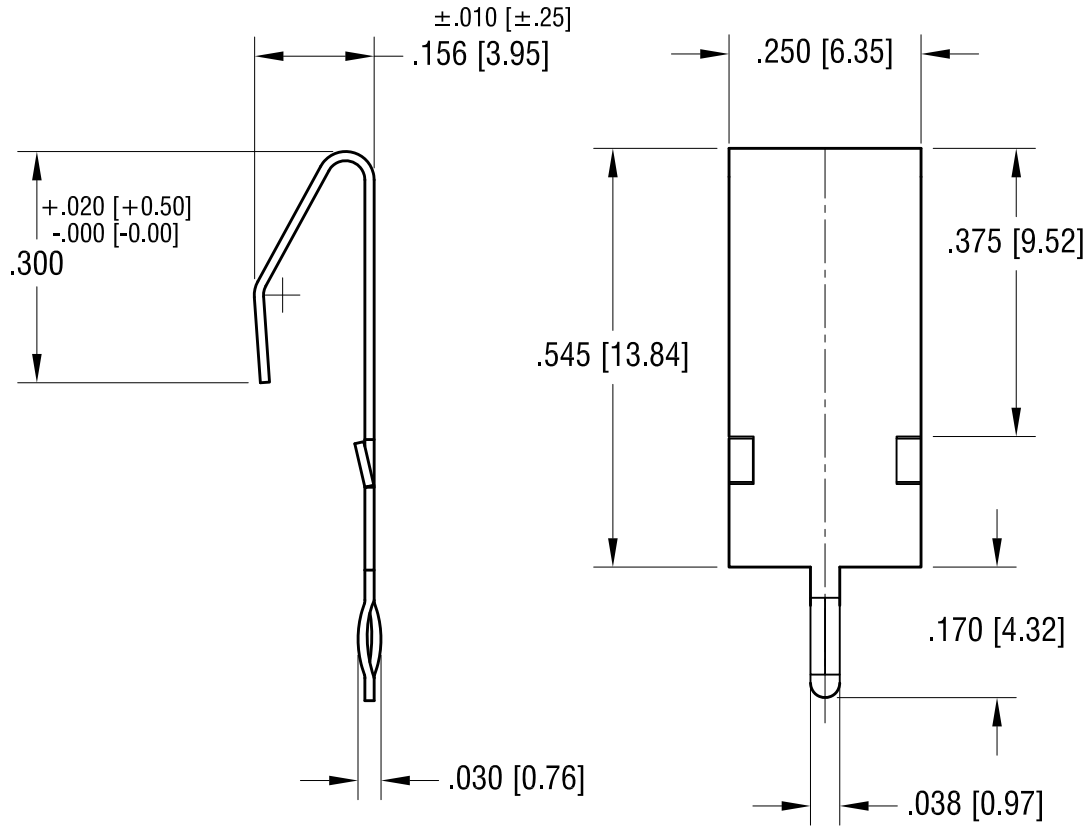


THIS DOCUMENT IS THE PROPERTY OF
KEYSTONE ELECTRONICS CORP. AND
SHALL NOT BE REPRODUCED, DISTRIBUTED
OR USED AS A BASIS FOR MANUFACTURE
WITHOUT PRIOR WRITTEN PERMISSION
FROM KEYSTONE ELECTRONICS CORP.

ACTUAL SIZE



KEYSTONE ELECTRONICS CORP.

www.keyelco.com • ASTORIA, N.Y. 11105-2017 • Tel (718) 956-8900

PART NAME		THM BATTERY CONTACT	
MATERIAL		.012[0.30] TH'K STAINLESS STEEL	
FINISH	TIN NICKEL PLATE	DRN BY	NT
		APP'D	LN
		DATE	1.06.11
		SCALE	4X
TOLERANCES	INCH [MM]	CODE	DWG NO.
DECIMAL	$\pm .005$ [± 0.13]	C	1017-1
ANGULAR	$\pm 1^\circ$		
UNLESS OTHERWISE SPECIFIED			

9.08.15	CHANGE AS PER ECN 15-088	B
10.10.13	CHANGE AS PER ECN 13-097	A
DATE	DESCRIPTION	REV.

Mouser Electronics

Authorized Distributor

Click to View Pricing, Inventory, Delivery & Lifecycle Information:

[Keystone Electronics:](#)

[1017-1](#)