

Features

LED DRIVER

- 20W Class II AC-DC LED Power Supply
- 350mA, 500mA, 700mA, 1050mA Output
- Universal AC Input (90-305VAC)
- Active Power Factor Correction
- Isolation Voltage 3.75kVAC
- Efficiency to 80%
- ENEC, UL, RCM and CB Certified
- Low Cost

Selection Guide

Part Number	Input Range (VAC)	Output Current (mA)	Output Voltage (VDC)	Efficiency (typ.)
RACD20-350/277	90 - 305	350	28 - 57	80%
RACD20-500/277	90 - 305	500	20 - 40	80%
RACD20-700/277	90 - 305	700	14 - 29	80%
RACD20-1050/277	90 - 305	1050	10.8 - 19	80%

Specifications

Input Voltage Range	90-305VAC or 130-430VDC	
Output Power Range	other types	10 Watts min., 20 Watts max.
	1050mA Version	12 Watts min., 20 Watts max.
Input Frequency Range	50/60 Hz typ.	
Power Factor	Full Load, 115VAC	>0.90
	Full Load, 230VAC	>0.90
	Full Load, 277VAC	>0.85
THD	Full Load, 115VAC/230VAC/277VAC	14% max.
Open Circuit Voltage	350mA Version	59 VDC
	500mA Version	44 VDC
	700mA Version	33 VDC
	1050mA Version	23 VDC
Input / Output Isolation	3750 VAC / 1 minute	
Operating Frequency	50/60 Hz	
Overload Protection	105% ~ 110%	
Weight	195g	
Dimension Drawing	80 x 74 x 26.5mm	
THD	<20%	
Temperature Coefficient	according to standards	
Operating Temperature Range (free air convection, according to CE/UL)	Ambient Temperature	-20°C to +50°C
	Case Temperature	80°C max.
Operating Temperature Range (free air convection, according to ENEC)	Ambient Temperature	-20°C to +50°C
	Case Temperature	85°C max.
Storage Temperature	-40°C to +80°C	
Acoustic Noise	30dB (10cm)	
IP Rating	IP66	
Certifications	ENEC CE Certification, General Safety	EN61347-2-13
	LED Lighting Safety (E340696)	UL1310 Class B, UL8750
	RCM (21378)	AS/NZS 61347.1:2002, IEC 61347-2-13
	Harmonics	EN61000-3-2 Class C
	EMC	EN55015 Class B
		FCC Part 18 Class B
	PSE	J61347-1(H20), J61347-2-13(H21), J55015(H20)
Design Lifetime	50 x 10 ³ hours	

LIGHTLINE
AC/DC-Converter
with 5 year Warranty

RECOM

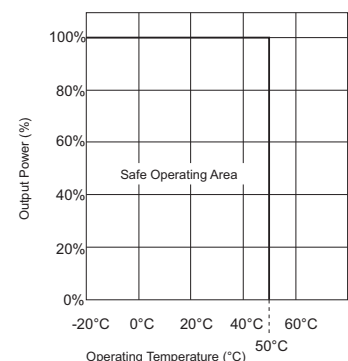
20 Watt PFC Single Output



UL 8750 Certified
ENEC 61347 Certified

RACD20/277

Derating-Graph (Ambient Temperature)

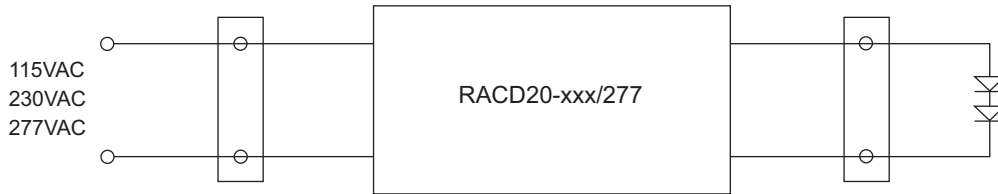


Note:

All LED Drivers may not be used without a load. They must be switched on the primary side only. Noncompliance may damage the LED or reduce its lifetime.

Refer to Application Notes

Standard Application Circuit



Notes:

- LED power supply is internally fused. No external fuse is required.
- Do not connect or disconnect LED load while the converter is on. This may damage the LED or reduce its life.
- Class 2 Power supply

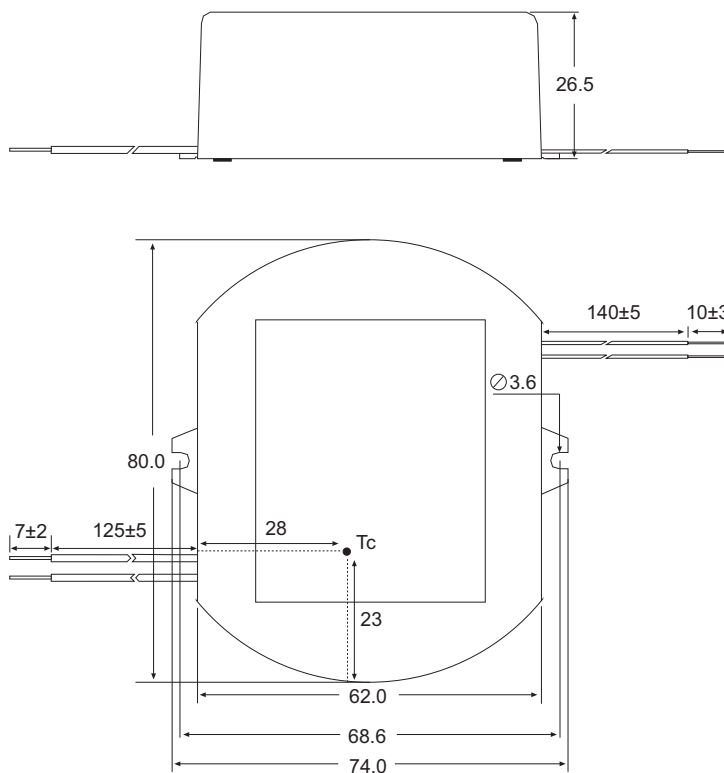
Characteristic

Maximum Number of LED drivers per circuit breakers

Condition	Circuit Breaker	Circuit Breaker Current			
		10A	16A	20A	25A
115VAC, 10hm 90° phase angle	Typ				
	C	47	68	84	105
230VAC, 10hm 90° phase angle	B	36	57	69	85
	C	57	87	109	134
277VAC, 10hm 90° phase angle	B	41	65	80	98
	C	65	99	125	154

RACD20/277

Standard Package Style & Pinning



Wire Connections

Wire	Function
Brown	VAC in (L)
Blue	VAC in (N)
Red	LED+
Black	LED-

Tolerance
 XX = +1mm/ -0.5mm
 XX.X = +/- 0.25mm

The product information and specifications are subject to change without prior notice. RECOM products are not authorized for use in safety-critical applications (such as life support) without RECOM's explicit written consent. A safety-critical application is defined as an application where a failure of a RECOM product may reasonably be expected to endanger or cause loss of life, inflict bodily harm or damage property. The buyer shall indemnify and hold harmless RECOM, its affiliated companies and its representatives against any damage claims in connection with the unauthorized use of RECOM products in such safety-critical applications.

Mouser Electronics

Authorized Distributor

Click to View Pricing, Inventory, Delivery & Lifecycle Information:

[RECOM:](#)

[RACD20-700/277](#) [RACD20-1050/277](#) [RACD20-350/277](#) [RACD20-500/277](#)