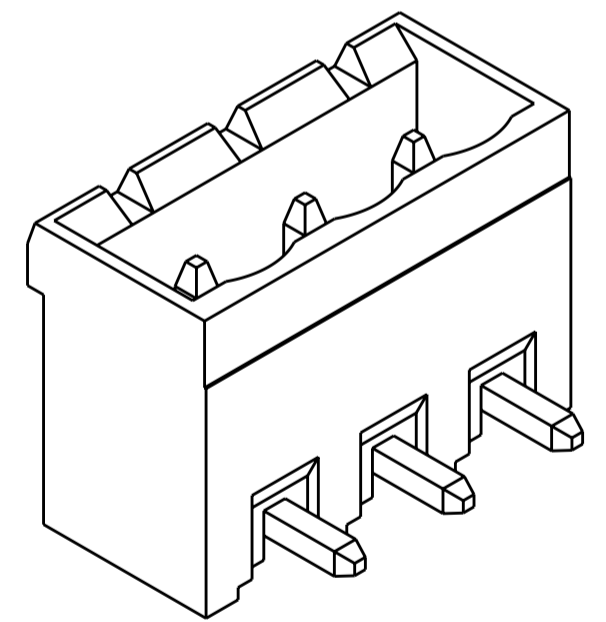
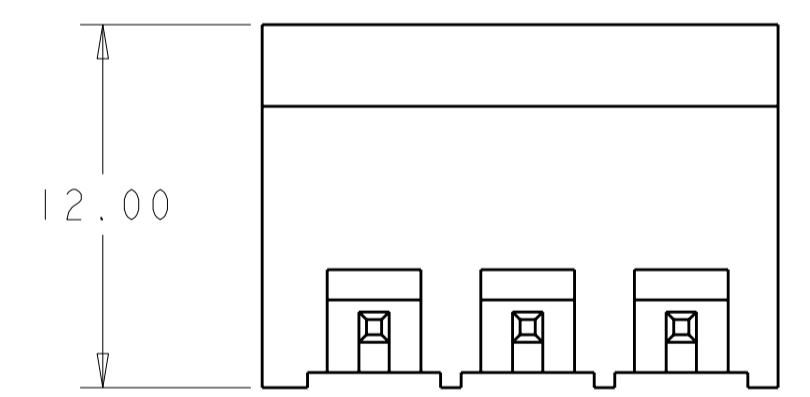
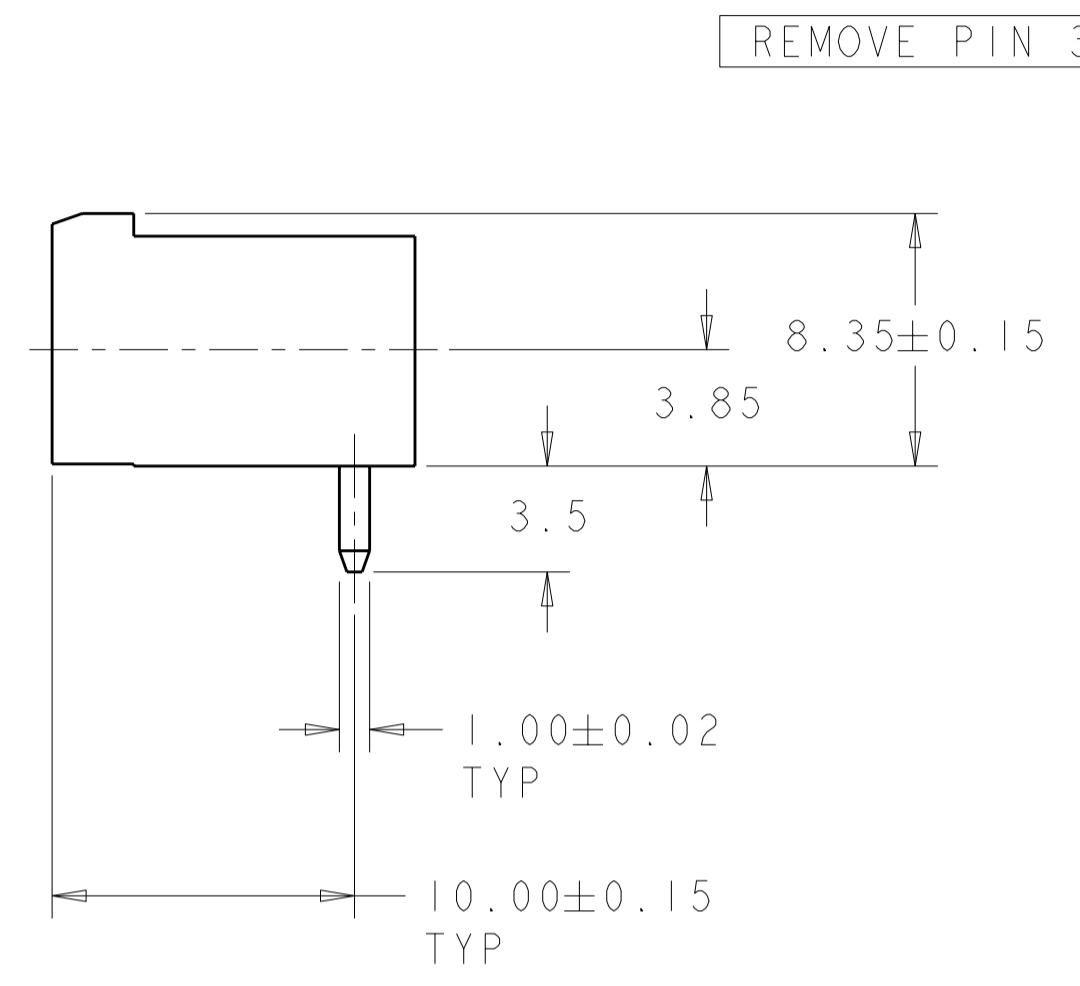
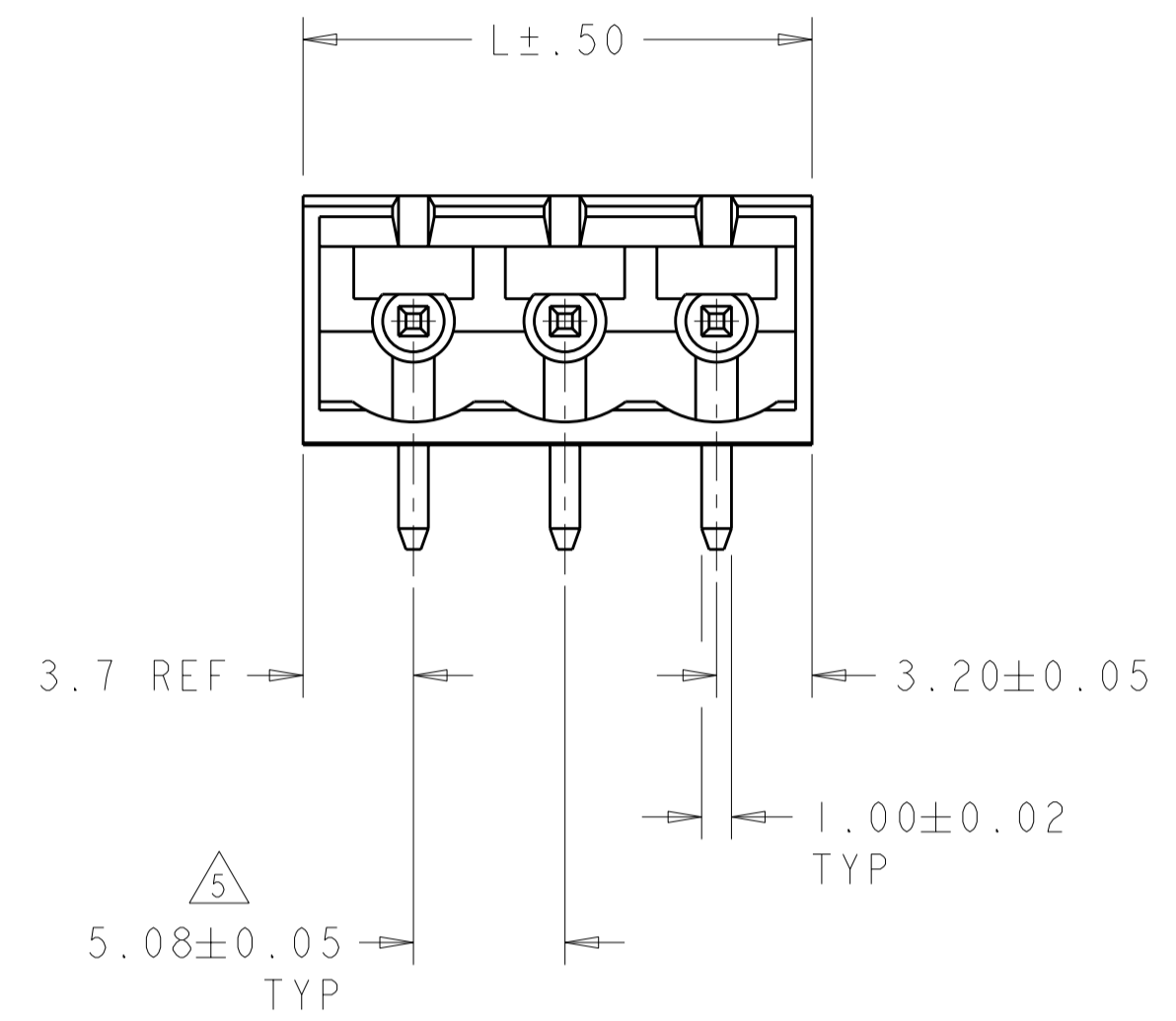
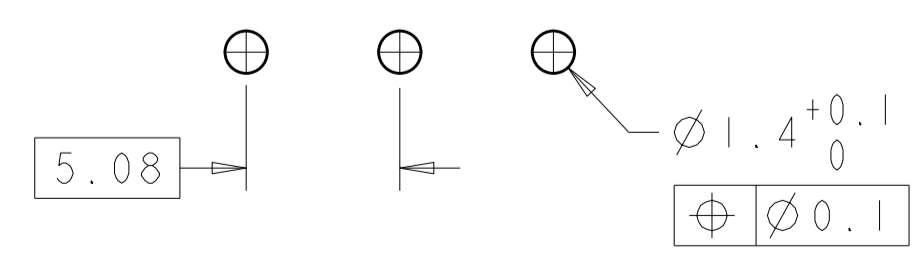


THIS DRAWING IS UNPUBLISHED. RELEASED FOR PUBLICATION 20
 © COPYRIGHT 20 BY - ALL RIGHTS RESERVED.

LOC		DIST		REVISIONS			
P	LTR	DESCRIPTION	DATE	DWN	APVD		
		C6	REVISED PER ECO-12-007711	25APR2012	KH	MS	



796638-3 AS SHOWN



RECOMMENDED PC BOARD LAYOUT

PLATING	MARKING	SPECIAL	DIM L	NO OF POSN	PART NUMBER
-	-	-	27.22	5	4-796638-1
-	-	-	108.50	21	4-796638-0
-	-	-	88.18	17	3-796638-9
-	-	-	72.94	14	3-796638-8
-	-	-	62.78	12	3-796638-7
-	-	-	52.62	10	3-796638-6
-	-	-	47.54	9	3-796638-5
-	-	-	42.46	8	3-796638-4
-	-	-	37.38	7	3-796638-3
-	-	-	32.30	6	3-796638-2
-	-	-	27.22	5	3-796638-1
-	-	-	22.14	4	3-796638-0
-	-	-	17.06	3	2-796638-9
-	-	-	11.98	2	2-796638-8
-	-	-	42.46	8	2-796638-7
-	-	-	52.62	10	2-796638-6
-	-	-	128.82	25	2-796638-5
-	-	-	123.74	24	2-796638-4
-	-	-	118.66	23	2-796638-3
-	-	-	113.58	22	2-796638-2
-	-	-	108.50	21	2-796638-1
-	-	-	103.42	20	2-796638-0
-	-	-	98.34	19	1-796638-9
-	-	-	93.26	18	1-796638-8
-	-	-	88.18	17	1-796638-7
-	-	-	83.10	16	1-796638-6
-	-	-	78.02	15	1-796638-5
-	-	-	72.94	14	1-796638-4
-	-	-	67.86	13	1-796638-3
-	-	-	62.78	12	1-796638-2
-	-	-	57.70	11	1-796638-1
-	-	-	52.62	10	1-796638-0
-	-	-	47.54	9	796638-9
-	-	-	42.46	8	796638-8
-	-	-	37.38	7	796638-7
-	-	-	32.30	6	796638-6
-	-	-	27.22	5	796638-5
-	-	-	22.14	4	796638-4
-	-	-	17.06	3	796638-3
-	-	-	11.98	2	796638-2

THIS DRAWING IS A CONTROLLED DOCUMENT.

DWN S.WELDON 19OCT2000
 CHK D.BIEVENOUR 19OCT2000
 APVD D.BIEVENOUR 19OCT2000

STE TE Connectivity

NAME: TERMI-BLOK HEADER ASSEMBLY, 90 DEGREE, CLOSED ENDS, 5.08mm PITCH

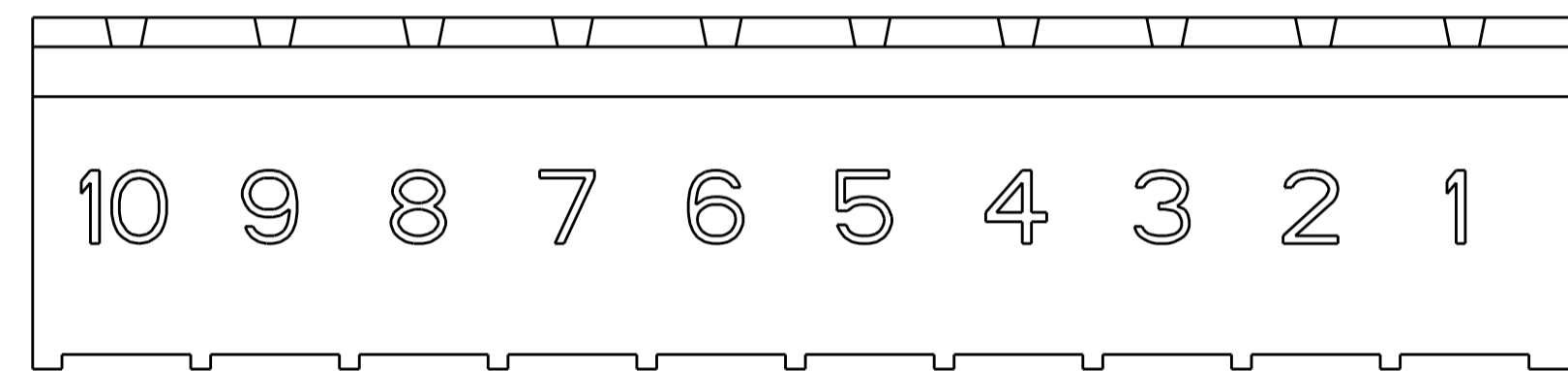
SIZE: A2 CAGE CODE: 00779 DRAWING NO: 796638

MATERIAL: CUSTOMER DRAWING

SCALE: 4:1 SHEET 1 OF 2 REV C6

THIS DRAWING IS UNPUBLISHED. RELEASED FOR PUBLICATION 20
 © COPYRIGHT 20 BY - ALL RIGHTS RESERVED.

LOC	DIST	REVISIONS			
P	LTR	DESCRIPTION	DATE	DWN	APVD
FT	0	-	SEE SHEET 1	-	-



DETAIL L

- 1. MATERIALS AND FINISH:
 HOUSING: PA 6-6, UL 94-V0, COLOR: GREEN.
 TERMINAL: COPPER ALLOY, SEE TABLE.
- 2. SUITABLE FOR 1,6-2, 4mm PC BOARD THICKNESS.
- 3. RECOGNIZED UNDER THE COMPONENT PROGRAM OF UNDERWRITERS LABORATORIES INC. FILE N° E60677.
- 4. IMQ CERTIFICATE WITH SURVEILLANCE IN CONFORMITY WITH IEC 998-1/998-2-1.)
- 5. NOT CUMULATIVE TOLERANCE
- 6. INK MARKED WHITE.
- 7. BUCHANAN LOGO TO APPEAR ON HOUSING, LOCATION OPTIONAL WHERE SPACE PERMITS.
- 8. CONTACTS SELECTIVELY LOADED IN POSITIONS 1,2,4,5,7,8.
- 9. TIN PLATED WITH 6-7 µm, ALL OVER 2-3 µm NICKEL.
- 10. GOLD PLATED WITH 0.76µm, ALL OVER 2-3 µm NICKEL.
- 11. PRELIMINARY - NOT FOR PRODUCTION.

THIS DRAWING IS A CONTROLLED DOCUMENT.		DWN S. WELDON	19OCT2000	STE TE Connectivity
DIMENSIONS: mm		CHK D. BIEVENOUR	19OCT2000	
		APVD D. BIEVENOUR	19OCT2000	
		NAME TERMI-BLOK HEADER ASSEMBLY, 90 DEGREE, CLOSED ENDS, 5.08mm PITCH		
TOLERANCES UNLESS OTHERWISE SPECIFIED:		PRODUCT SPEC		SIZE A200779
0 PLC ±-		APPLICATION SPEC		CAGE CODE C-796638
1 PLC ±0.3		WEIGHT	-	DRAWING NO 796638
2 PLC ±0.25		RESTRICTED TO		
3 PLC ±-		CUSTOMER DRAWING		SCALE 4:1
4 PLC ±-		SHEET 2 OF 2		REV C6
ANGLES ±-				
FINISH				

Mouser Electronics

Authorized Distributor

Click to View Pricing, Inventory, Delivery & Lifecycle Information:

[TE Connectivity:](#)

[796638-4](#)