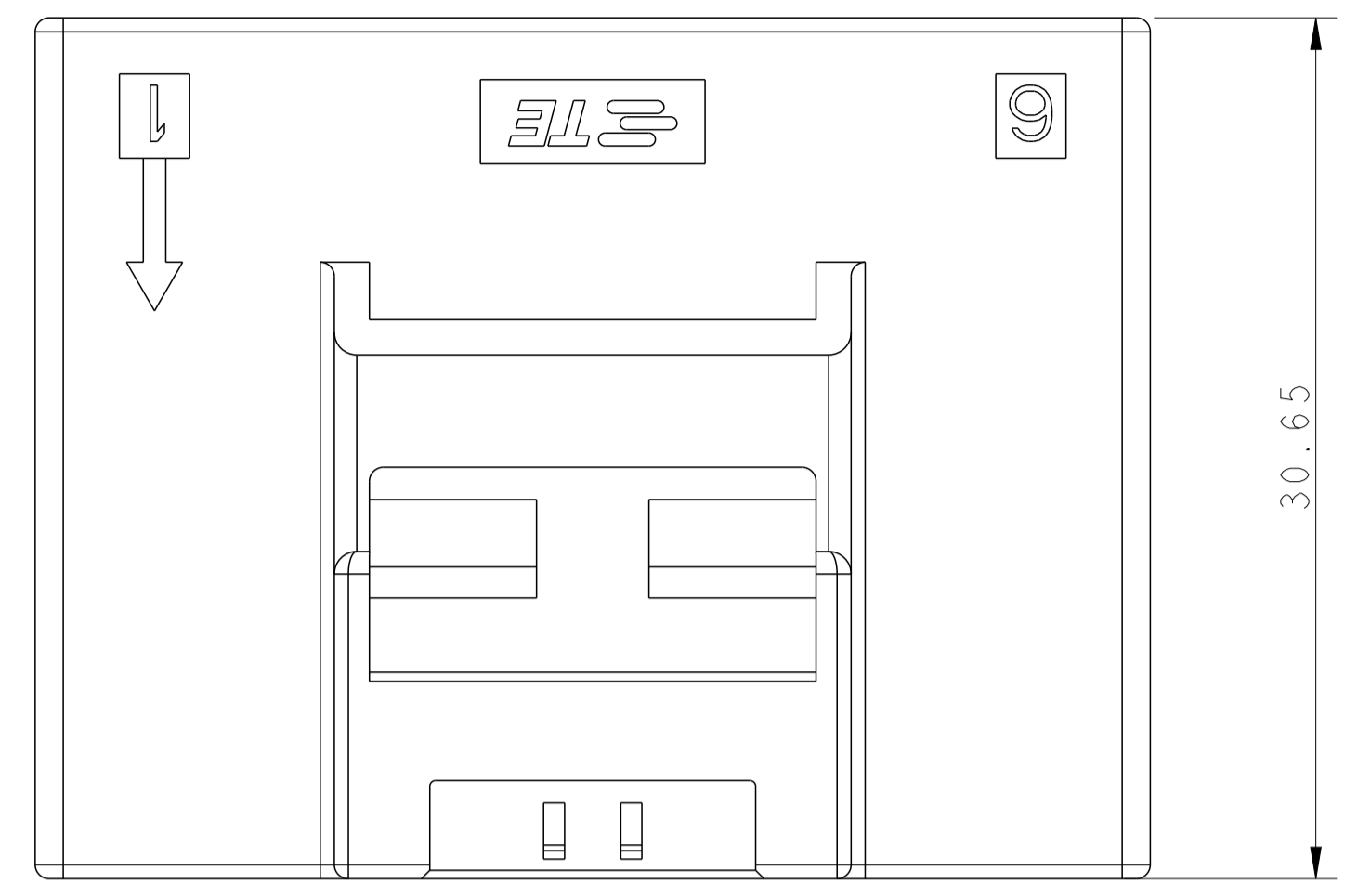
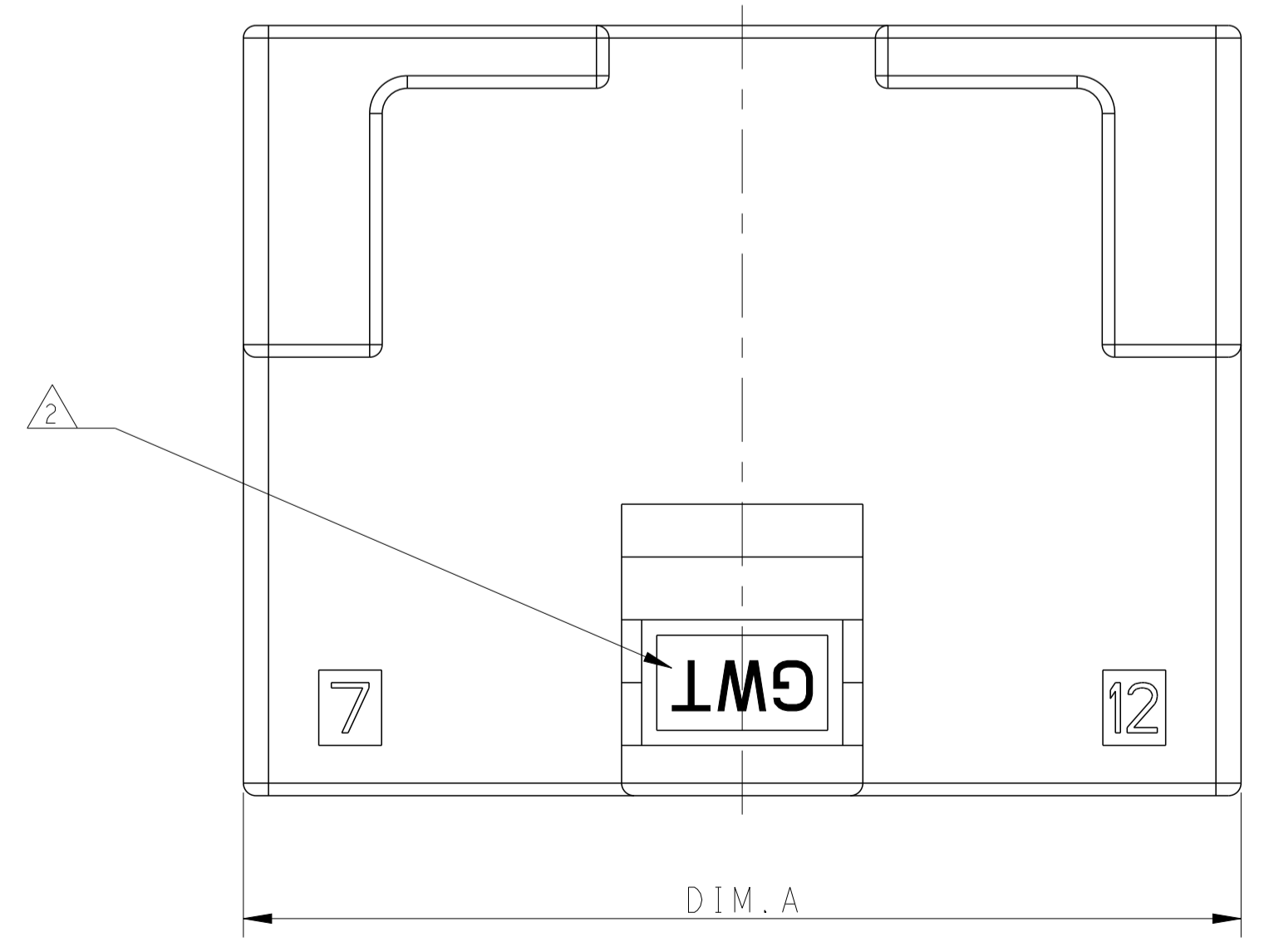
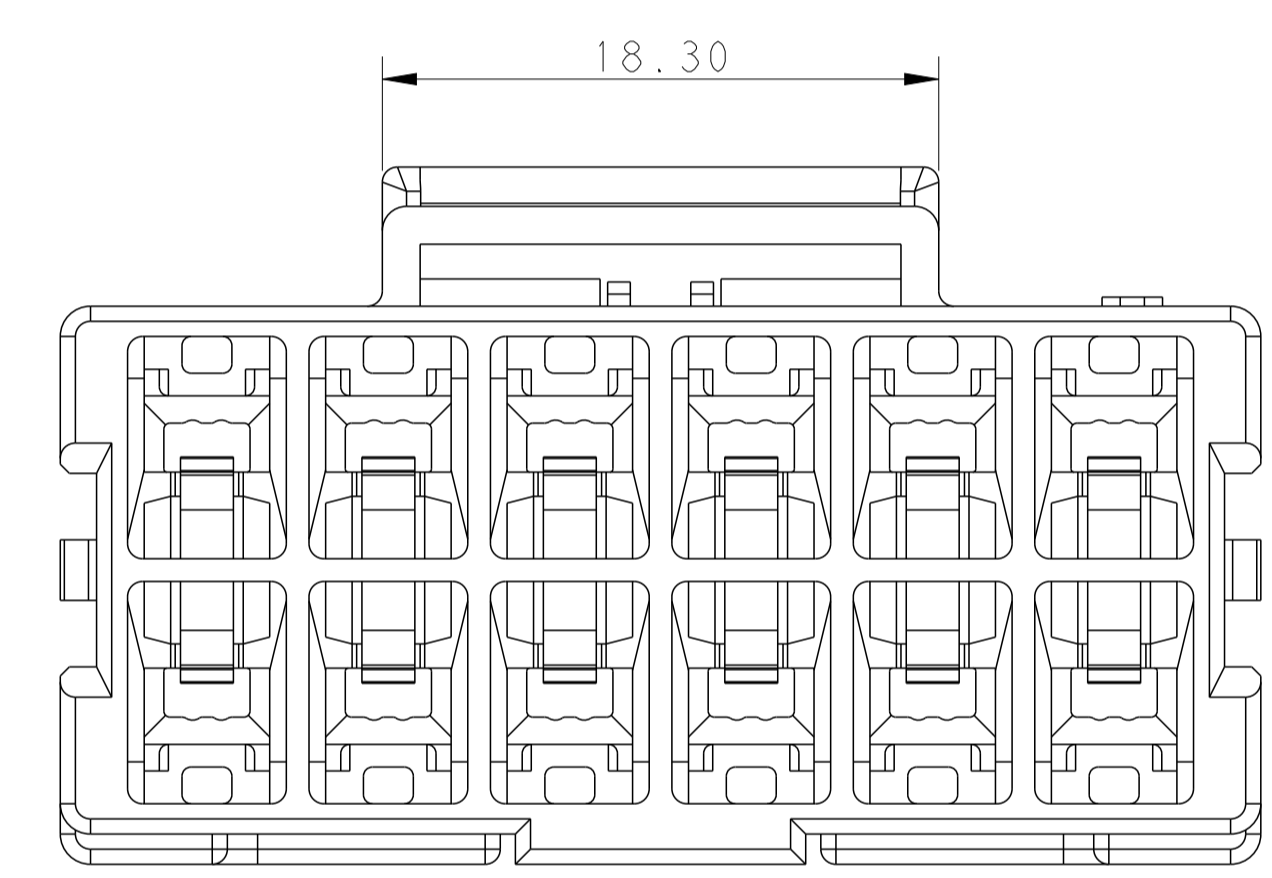
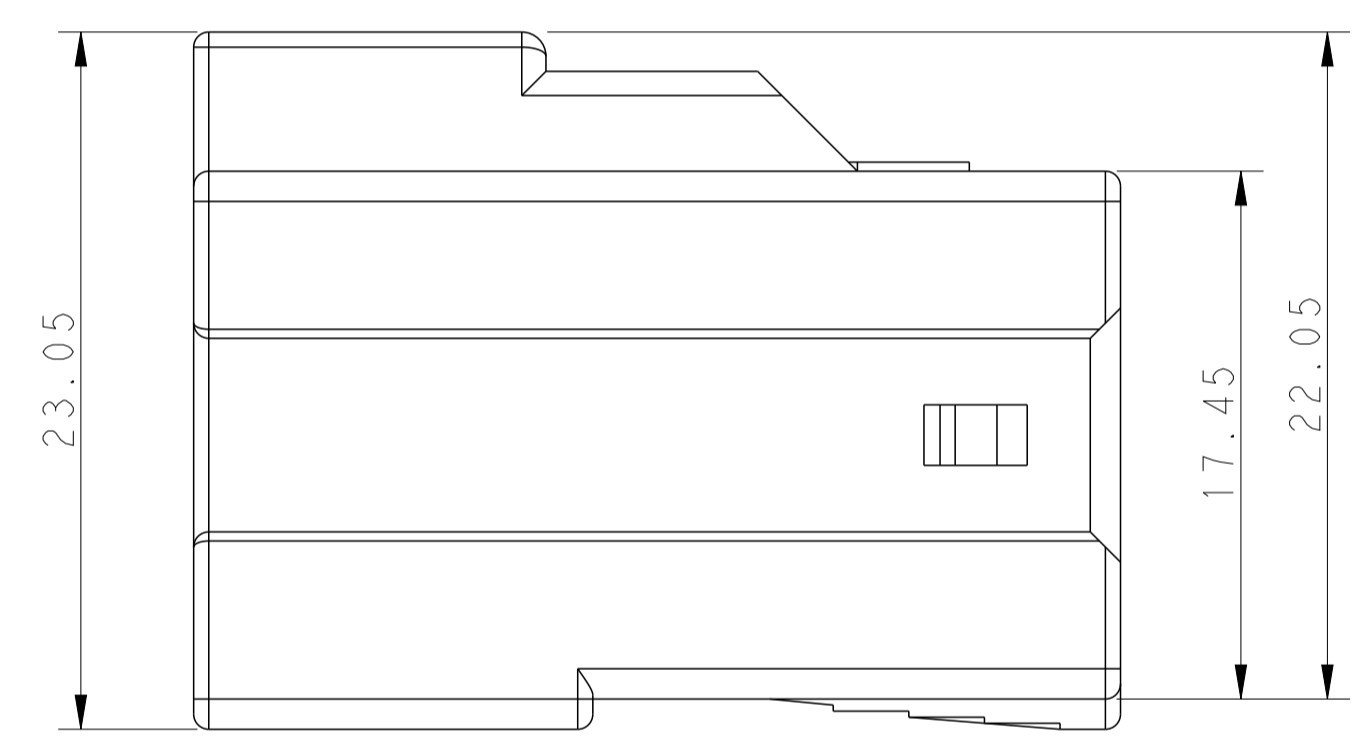
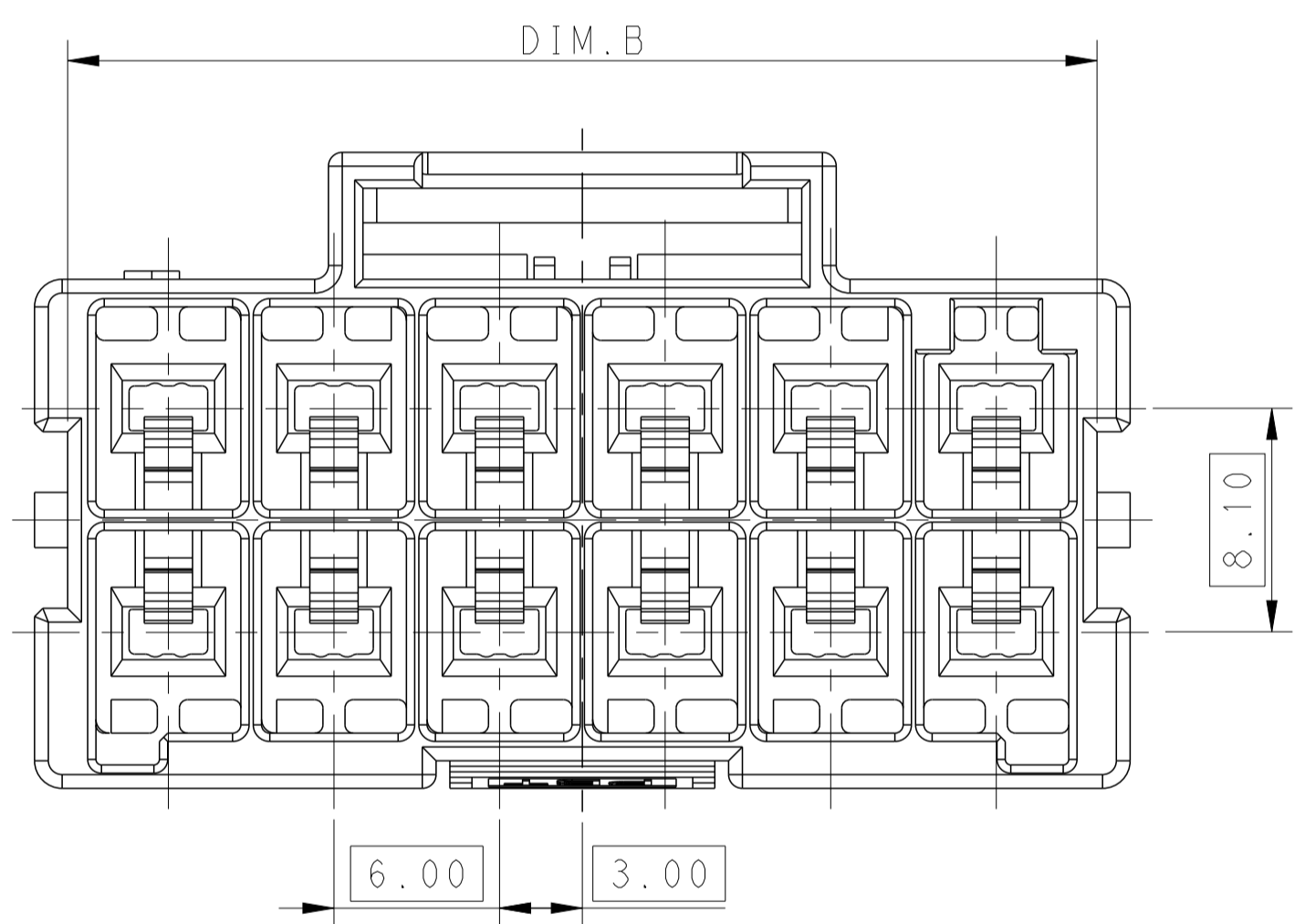


| LOC | | DIST | | REVISIONS | | | |
|-----|-----|---------------------------|-----------|-----------|------|--|--|
| P | LTN | DESCRIPTION | DATE | DWN | APVD | | |
| B | | REVISED PER ECR-16-003314 | 18JUL2016 | BW | GJ | | |



| POS. | DIM. A | DIM. B |
|------|--------|--------|
| 2*6 | 39.70 | 37.30 |
| 2*5 | 33.70 | 31.30 |
| 2*4 | 27.70 | 25.30 |
| 2*3 | 21.70 | 19.30 |



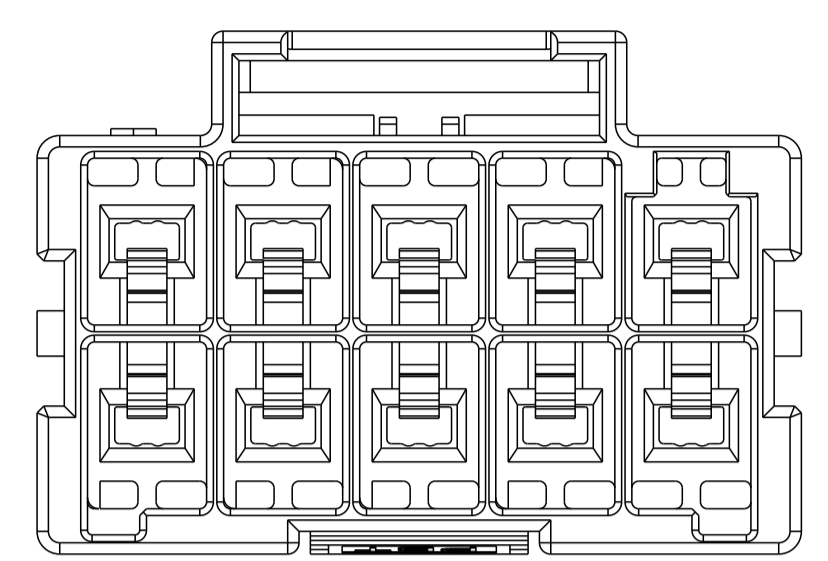
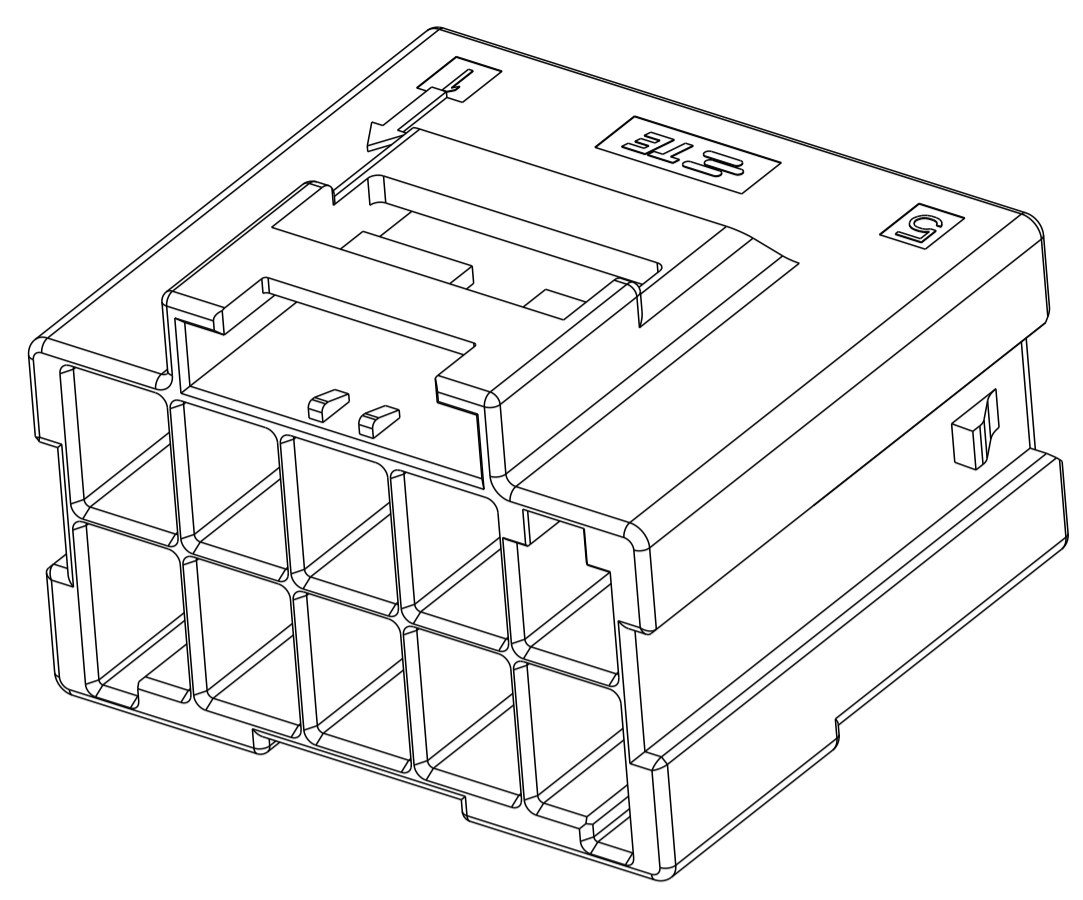
NOTE
 1. MATERIAL:
 LEVEL A: PA6 GLASS FILLED, COMPLY WITH GLOW WIRE REQUIREMENTS FOR PARTS OF NON-METALLIC MATERIAL SUPPORTING A CURRENT-CARRYING CONNECTION DETAILED IN IEC 60335-1, SECTION 30 (GWT), UL 94V-0
 LEVEL B: PBT GLASS FILLED, HOT WIRE IGNITION (HWI) VERSION ARE MOLDED IN A RESIN THAT COMPLIES WITH TE HOT WIRE IGNITION TEST 109-32026 AND ARE RECOMMENDED FOR USE WITH HWI HOUSINGS THAT ALSO COMPLY, UL 94V-0

- △. MATERIAL MARK:
 LEVEL A:GWT,LEVEL B:HWT
3. APPLICABLE CONTACT P/N
 TAB CONTACT:1971238/1971780/82/84/86/88-*,2238067-*
4. MATING CONN, P/N
 PLUG HSG: *-2232266-
 TPA (LOCK PLATE): *-1971778-*

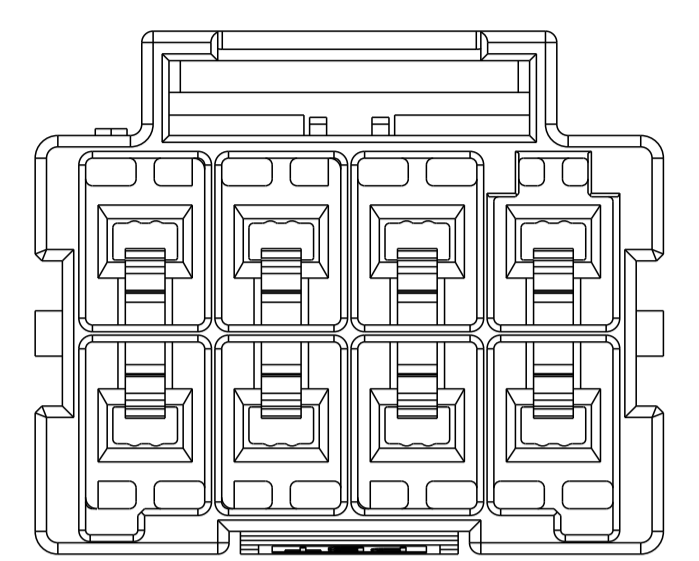
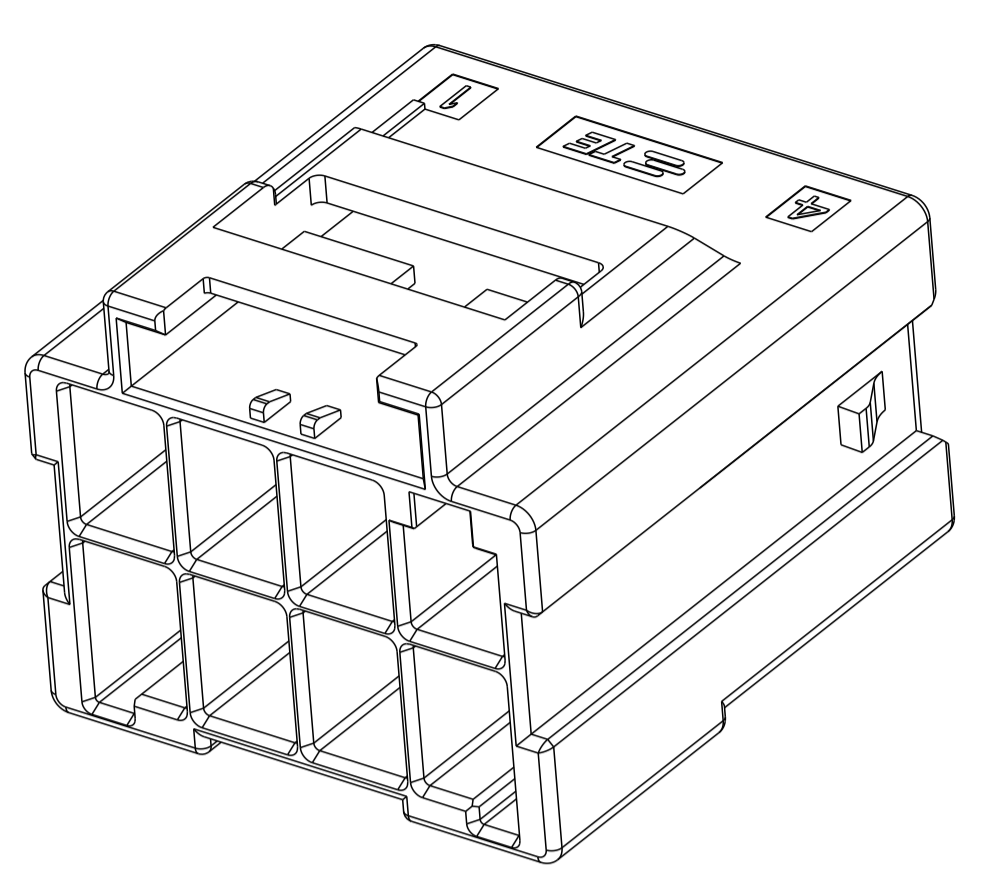
5. This product has not completed validation testing.

| | | | |
|--|-------|----------------------------|---|
| THIS DRAWING IS A CONTROLLED DOCUMENT. | | DWN: TOMMY WU 26MAR2013 | TE Connectivity |
| DIMENSIONS: mm | | CHK: HAPYE WU 26MAR2013 | |
| TOLERANCES UNLESS OTHERWISE SPECIFIED: | | APVD: YUHONG MAO 26MAR2013 | NAME: CAP HOUSING, FREE HANGING, DOUBLE ROW POWER TRIPLE LOCK |
| 0 PLC | ± | PRODUCT SPEC | SIZE: CAGE CODE DRAWING NO |
| 1 PLC | ±0.35 | 108-106118 | RESTRICTED TO |
| 2 PLC | ±0.25 | APPLICATION SPEC | A1 00779C=2232359 |
| 3 PLC | ± | 114-106118 | SCALE - SHEET 1 OF 2 REV B |
| 4 PLC | ± | WEIGHT - | |
| ANGLES | ± | Customer Drawing | |
| MATERIAL | | | |

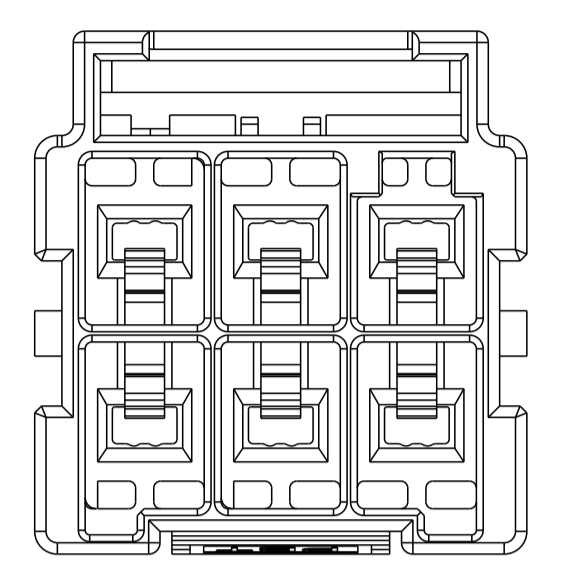
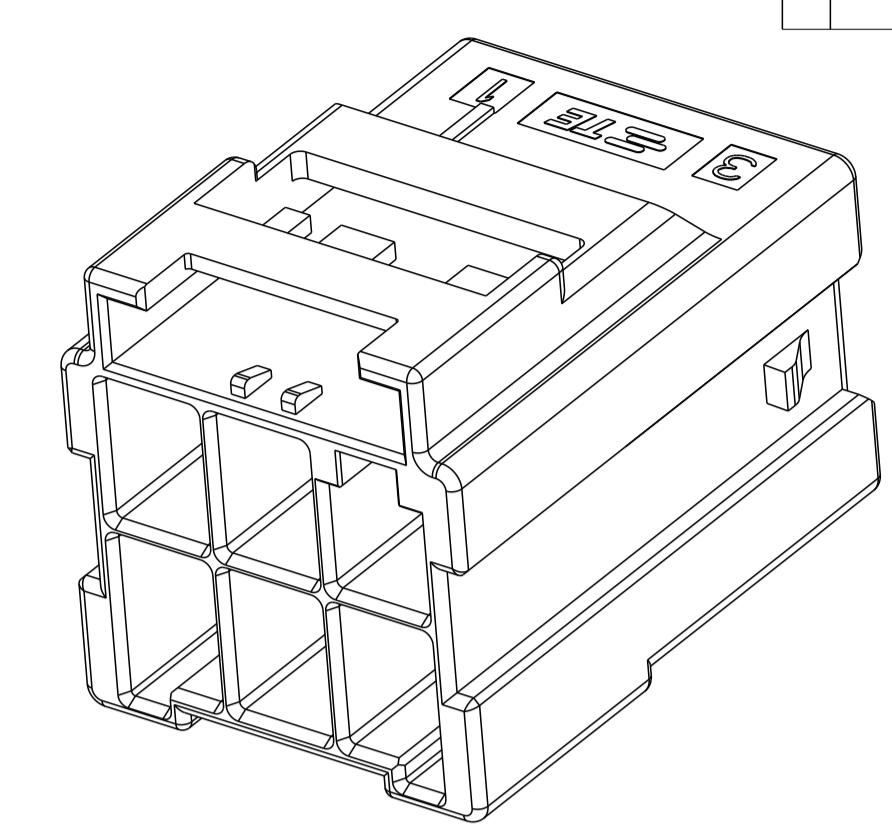
| LOC | | DIST | | REVISIONS | | | |
|-----|-----|-------------|------|-----------|------|--|--|
| P | LTN | DESCRIPTION | DATE | OWN | APVD | | |
| - | - | SEE SHEET 1 | - | - | - | | |



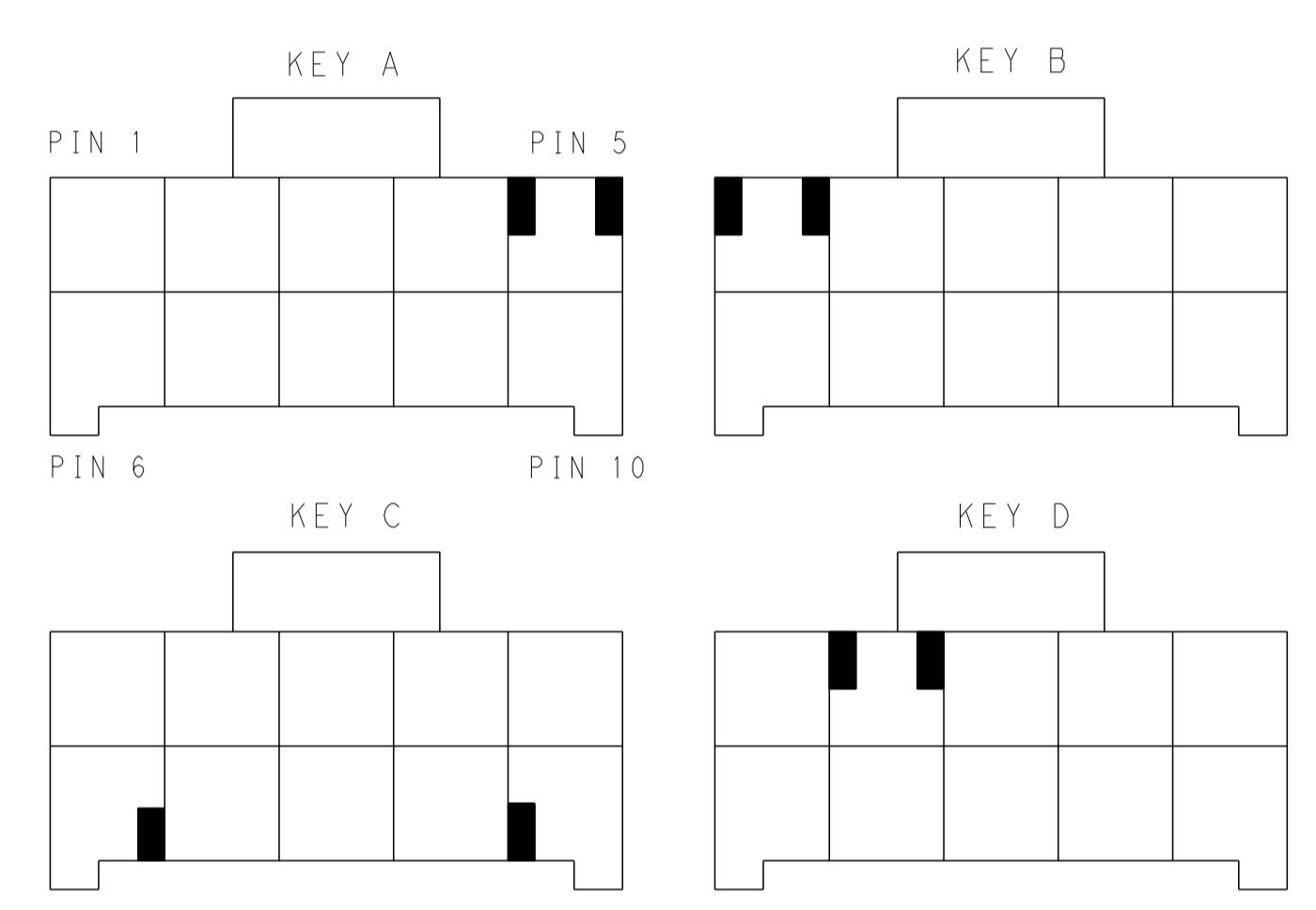
2*5 POSITIONS



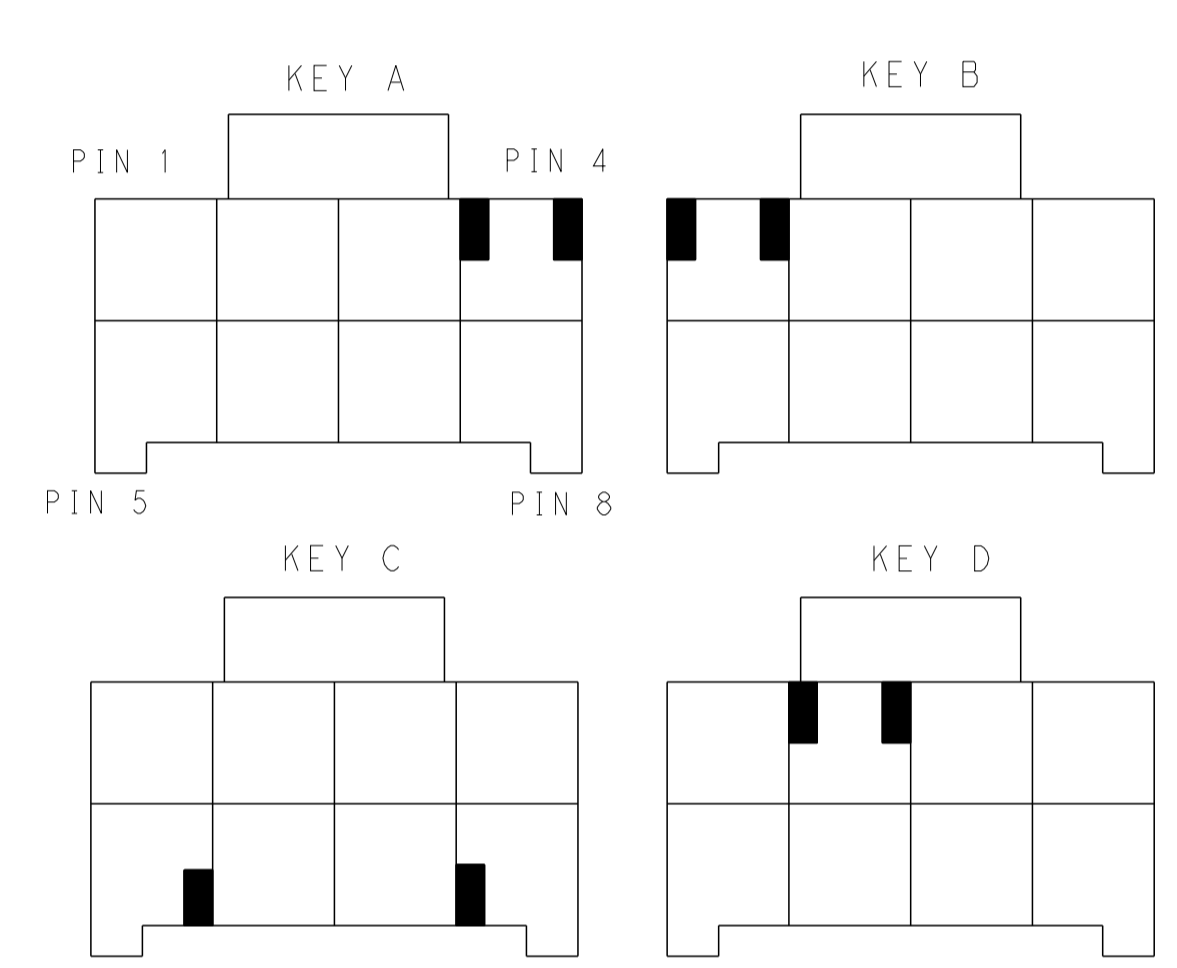
2*4 POSITIONS



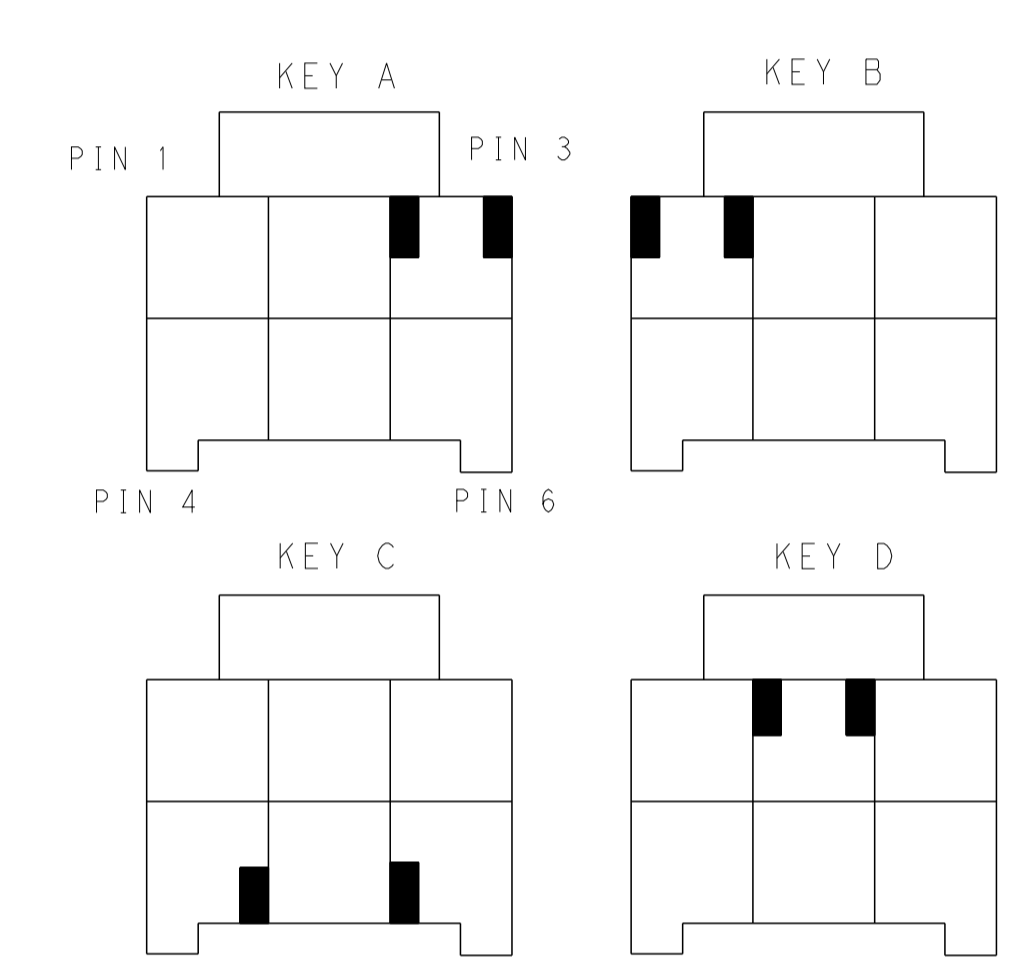
2*3 POSITIONS



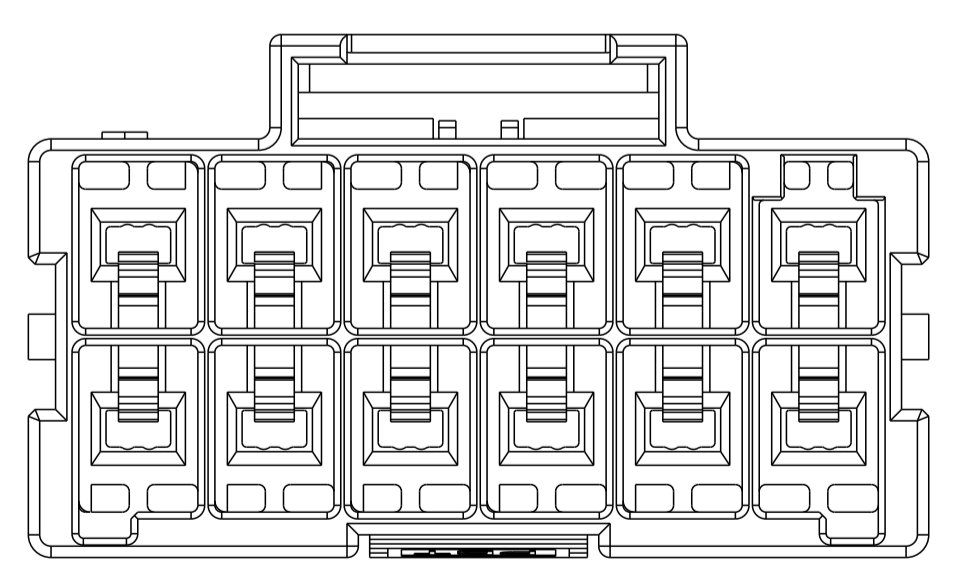
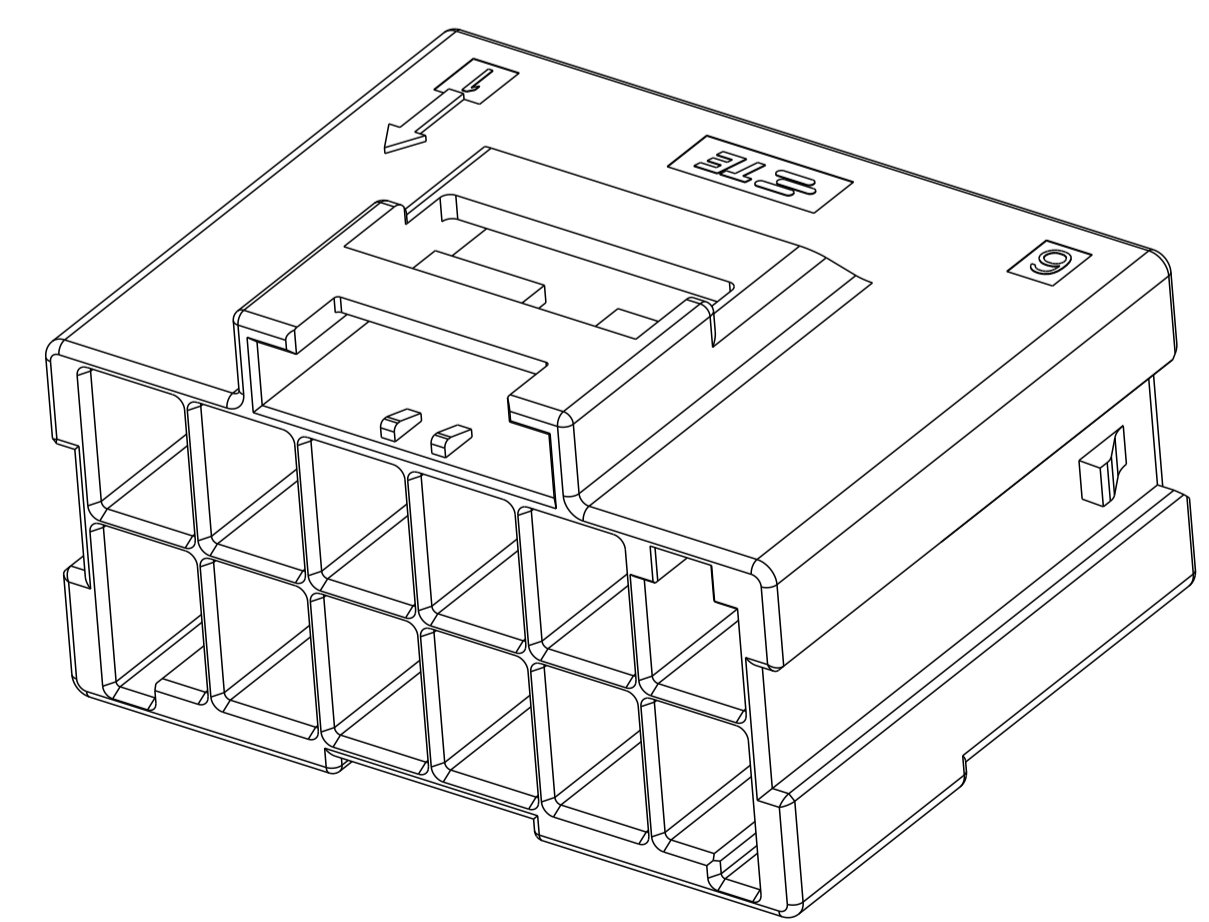
KEYING FOR 2*5 POS.



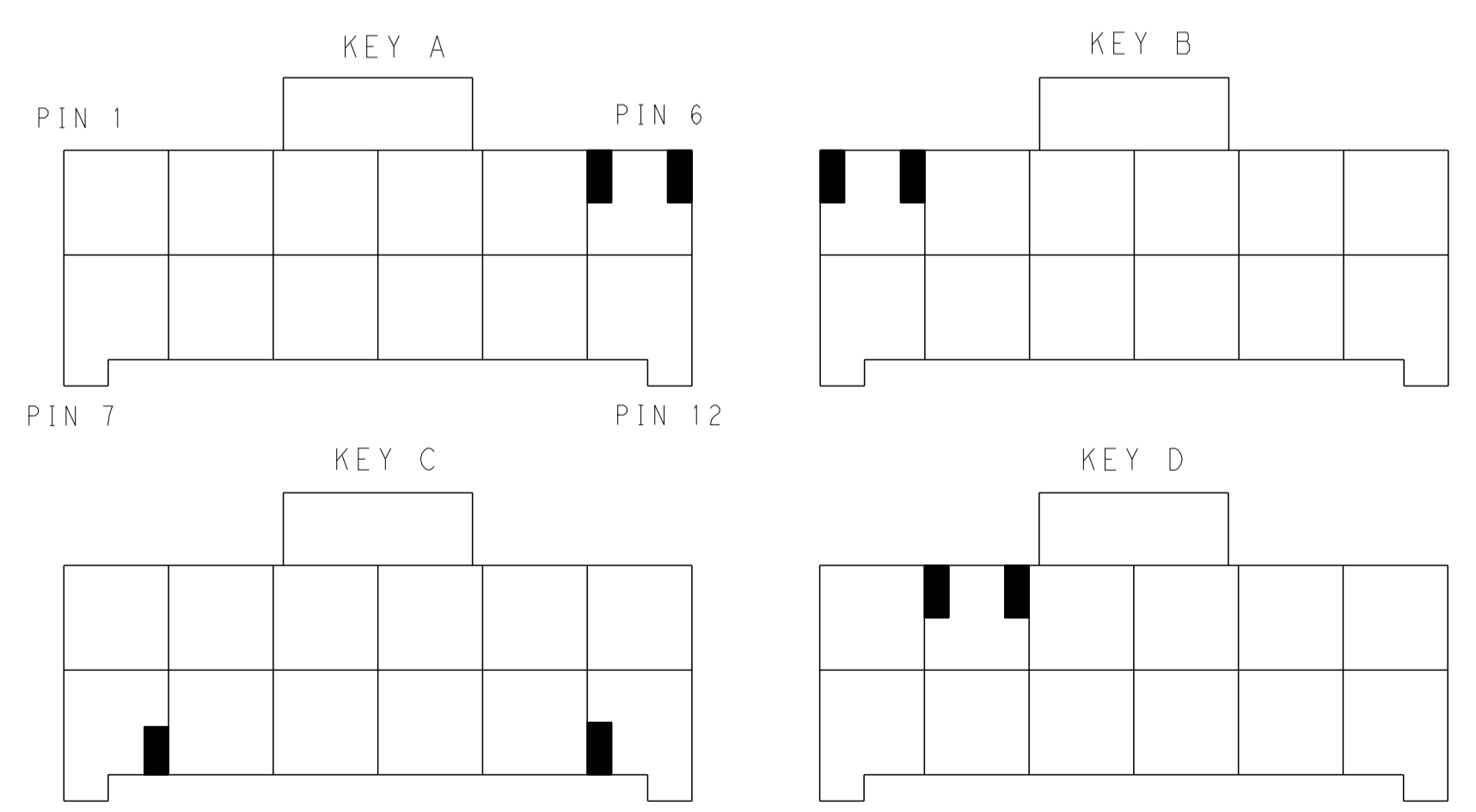
KEYING FOR 2*4 POS.



KEYING FOR 2*3 POS.



2*6 POSITIONS



KEYING FOR 2*6 POS.

| POS. | MATERIAL | COLOR | KEY | P/N | POS. | MATERIAL | COLOR | KEY | P/N |
|------|----------|-----------|-------|-------------|------|----------|-----------|-------|-------------|
| 2*4 | LEVEL A | DARK GREY | KEY A | 5-2232359-4 | 2*6 | LEVEL A | DARK GREY | KEY A | 5-2232359-6 |
| | | BROWN | KEY B | 6-2232359-4 | | | BROWN | KEY B | 6-2232359-6 |
| | | GREEN | KEY C | 7-2232359-4 | | | GREEN | KEY C | 7-2232359-6 |
| | | ORANGE | KEY D | 8-2232359-4 | | | ORANGE | KEY D | 8-2232359-6 |
| 2*3 | LEVEL A | DARK GREY | KEY A | 5-2232359-3 | 2*5 | LEVEL A | DARK GREY | KEY A | 5-2232359-5 |
| | | BROWN | KEY B | 6-2232359-3 | | | BROWN | KEY B | 6-2232359-5 |
| | | GREEN | KEY C | 7-2232359-3 | | | GREEN | KEY C | 7-2232359-5 |
| | | ORANGE | KEY D | 8-2232359-3 | | | ORANGE | KEY D | 8-2232359-5 |

THIS DRAWING IS A CONTROLLED DOCUMENT. DWN: TOMMY WU 26MAR2013
 CHK: HAPYE WU 26MAR2013
 APVD: YUHONG MAO 26MAR2013

STE TE Connectivity

NAME: CAP HOUSING, FREE HANGING, DOUBLE ROW POWER TRIPLE LOCK

PRODUCT SPEC: 108-106118
 APPLICATION SPEC: 114-106118

SIZE: A1 00779 C=2232359
 SCALE: SHEET 2 OF 2 REV B

MATERIAL: - FINISH: - WEIGHT: -

Customer Drawing

Mouser Electronics

Authorized Distributor

Click to View Pricing, Inventory, Delivery & Lifecycle Information:

[TE Connectivity:](#)

[5-2232359-5](#)