

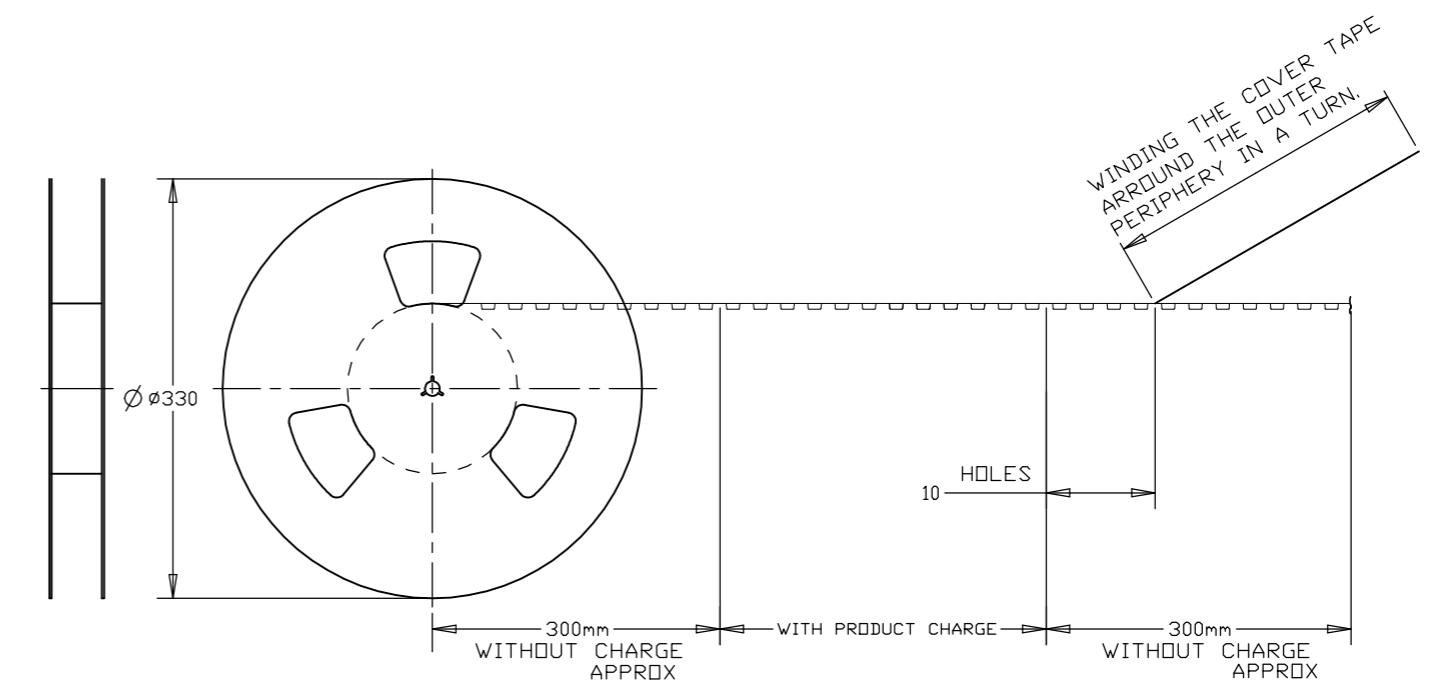
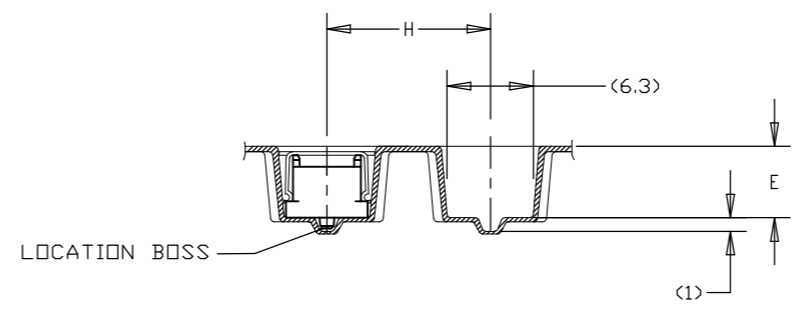
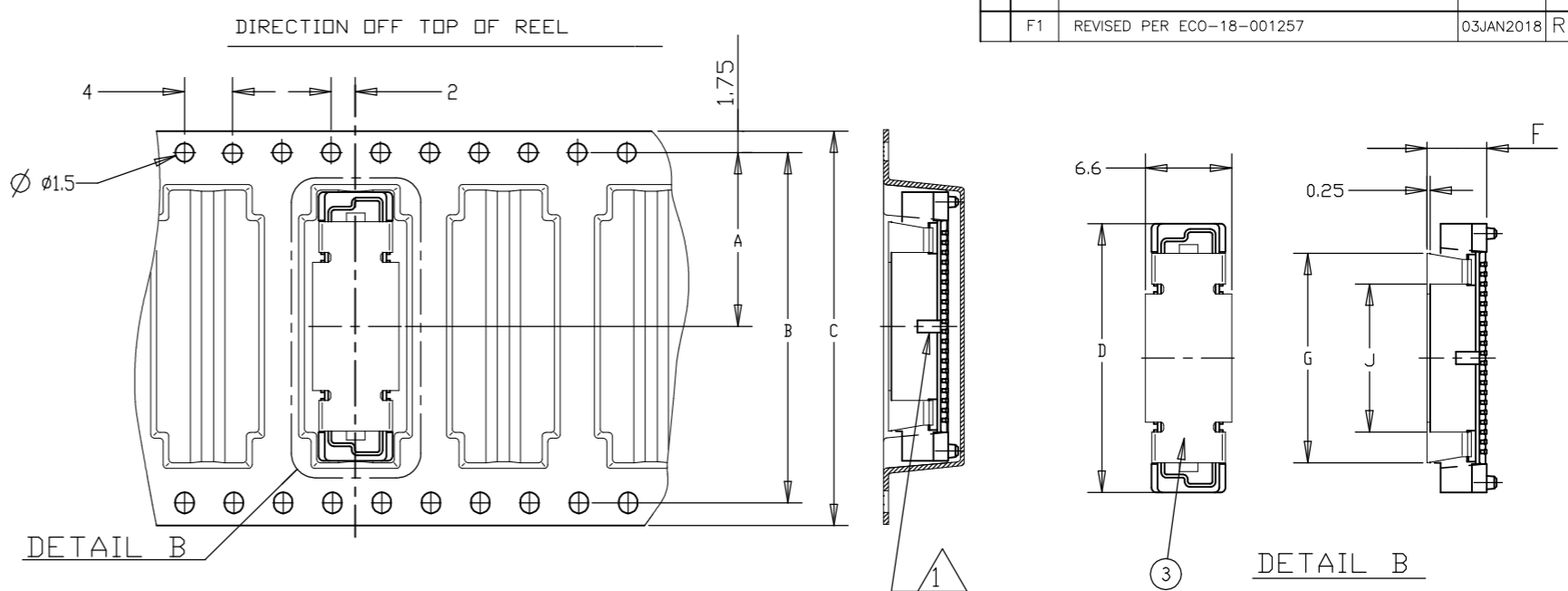
THIS DRAWING IS UNPUBLISHED. RELEASED FOR PUBLICATION. COPYRIGHT - TE Connectivity ALL RIGHTS RESERVED.

| REVISIONS | | | | |
|-----------|-----|---------------------------|-----------|---------|
| P | LTR | DESCRIPTION | DATE | APVD |
| F1 | | REVISED PER ECO-18-001257 | 03JAN2018 | R.L H.L |

Notes:

- 1 CUTOUT FEATURE AVAILABLE ONLY ON 5H ASSY P/N -1 (40P) AND -2 (60P).
- 6 0.00038 MIN GOLD PLATING (15u INCHES GOLD PLATING)
- 3 CONNECTOR DIMENSIONS REFERENCED FROM DRAWING WHICH CONN. P/Ns BASED
- 4 CONNECTOR WITH BLACK HOUSING
- 5 MATERIAL: HOUSING: L.C.P UL 94-V0. CONTACT: BRASS

LOW HALOGEN



STEEL COVER

WINDING THE COVER TAPE AROUND THE OUTER PERIPHERY IN A TURN.

| REMARKS | QTY | HEIGHT TYPE | Y | X | J | H | G | F | E | D | C | B | A | POS | SALEABLE PART NO. | |
|---------|-----|-------------|----|-----|-----|----|----|------|------|------|------|------|-------|------|-------------------|-------------|
| | | | | | | | | | | | | | | | | 5177986-1 |
| | | 900 | 5H | 1.2 | 4.6 | 12 | 12 | 17 | 4.85 | 5.25 | 21.8 | 32 | 28.4 | 14.2 | 40 | 5177986-1 |
| | | 900 | 5H | 1.2 | 4.6 | 12 | 12 | 17 | 4.85 | 5.25 | 37.8 | 56 | 52.4 | 26.2 | 80 | 8-5177986-3 |
| | | 450 | 7H | 3.6 | 6.6 | 12 | 16 | 17 | 6.85 | 7.25 | 53.8 | 72 | 68.4 | 34.2 | 120 | 4-5177986-5 |
| | | 400 | | | | | | | | | 85.8 | 104 | 100.4 | 200 | 4-0 | |
| | | 400 | | | | | | | | | 77.8 | 104 | 100.4 | 180 | 3-9 | |
| | | 400 | | | | | | | | | 69.8 | 104 | 100.4 | 160 | 3-8 | |
| | | 400 | | | | | | | | | 61.8 | 88 | 84.4 | 140 | 3-6 | |
| | | 400 | | | | | | | | | 53.8 | 88 | 84.4 | 120 | 3-5 | |
| | | 600 | 8H | 4.6 | 7.6 | 12 | 12 | 7.85 | 8.25 | 21.8 | 32 | 28.4 | 14.2 | 40 | 3-5177986-1 | |
| | | 600 | | | | | | | | | 85.8 | 104 | 100.4 | 200 | 3-0 | |
| | | 600 | | | | | | | | | 77.8 | 104 | 100.4 | 180 | 2-9 | |
| | | 600 | | | | | | | | | 69.8 | 104 | 100.4 | 160 | 2-8 | |
| | | 600 | | | | | | | | | 61.8 | 88 | 84.4 | 140 | 2-6 | |
| | | 600 | | | | | | | | | 53.8 | 88 | 84.4 | 120 | 2-5 | |
| | | 450 | | | | | | | | | 45.8 | 72 | 68.4 | 100 | 2-4 | |
| | | 450 | | | | | | | | | 37.8 | 56 | 52.4 | 80 | 2-3 | |
| | | 450 | | | | | | | | | 29.8 | 44 | 40.4 | 60 | 2-2 | |
| | | 500 | 7H | 3.6 | 6.6 | 16 | 16 | 6.85 | 7.25 | 21.8 | 32 | 28.4 | 14.2 | 40 | 2-5177986-1 | |
| | | 500 | | | | | | | | | 85.8 | 104 | 100.4 | 200 | 3-0 | |
| | | 500 | | | | | | | | | 77.8 | 104 | 100.4 | 180 | 2-9 | |
| | | 500 | | | | | | | | | 69.8 | 104 | 100.4 | 160 | 2-8 | |
| | | 500 | | | | | | | | | 61.8 | 88 | 84.4 | 140 | 2-6 | |
| | | 500 | | | | | | | | | 53.8 | 88 | 84.4 | 120 | 2-5 | |
| | | 500 | | | | | | | | | 45.8 | 72 | 68.4 | 100 | 2-4 | |
| | | 500 | | | | | | | | | 37.8 | 56 | 52.4 | 80 | 2-3 | |
| | | 500 | | | | | | | | | 29.8 | 44 | 40.4 | 60 | 2-2 | |
| | | 700 | | | | | | | | | 21.8 | 32 | 28.4 | 40 | 2-5177986-1 | |
| | | 700 | | | | | | | | | 85.8 | 104 | 100.4 | 200 | 3-0 | |
| | | 700 | | | | | | | | | 77.8 | 104 | 100.4 | 180 | 2-9 | |
| | | 700 | | | | | | | | | 69.8 | 104 | 100.4 | 160 | 2-8 | |
| | | 700 | | | | | | | | | 61.8 | 88 | 84.4 | 140 | 2-6 | |
| | | 700 | | | | | | | | | 53.8 | 88 | 84.4 | 120 | 2-5 | |
| | | 550 | | | | | | | | | 45.8 | 72 | 68.4 | 100 | 1-4 | |
| | | 550 | | | | | | | | | 37.8 | 56 | 52.4 | 80 | 1-3 | |
| | | 550 | | | | | | | | | 29.8 | 44 | 40.4 | 60 | 1-2 | |
| | | 800 | 6H | 2.6 | 5.6 | 12 | 12 | 5.85 | 6.25 | 21.8 | 32 | 28.4 | 14.2 | 40 | 1-5177986-1 | |
| | | 800 | | | | | | | | | 69.8 | 104 | 100.4 | 160 | 5-8 | |
| | | 800 | | | | | | | | | 61.8 | 88 | 84.4 | 140 | 6-6 | |
| | | 800 | | | | | | | | | 53.8 | 88 | 84.4 | 120 | 6-5 | |
| | | 800 | | | | | | | | | 45.8 | 72 | 68.4 | 100 | 6-4 | |
| | | 800 | | | | | | | | | 37.8 | 56 | 52.4 | 80 | 6-3 | |
| | | 800 | | | | | | | | | 29.8 | 44 | 40.4 | 60 | 6-2 | |
| | | 700 | 7H | 3.6 | 6.6 | 16 | 16 | 6.85 | 7.25 | 21.8 | 32 | 28.4 | 14.2 | 40 | 7-5177986-1 | |
| | | 700 | | | | | | | | | 69.8 | 104 | 100.4 | 160 | 6-8 | |
| | | 700 | | | | | | | | | 61.8 | 88 | 84.4 | 140 | 6-6 | |
| | | 700 | | | | | | | | | 53.8 | 88 | 84.4 | 120 | 6-5 | |
| | | 700 | | | | | | | | | 45.8 | 72 | 68.4 | 100 | 6-4 | |
| | | 700 | | | | | | | | | 37.8 | 56 | 52.4 | 80 | 6-3 | |
| | | 700 | | | | | | | | | 29.8 | 44 | 40.4 | 60 | 6-2 | |

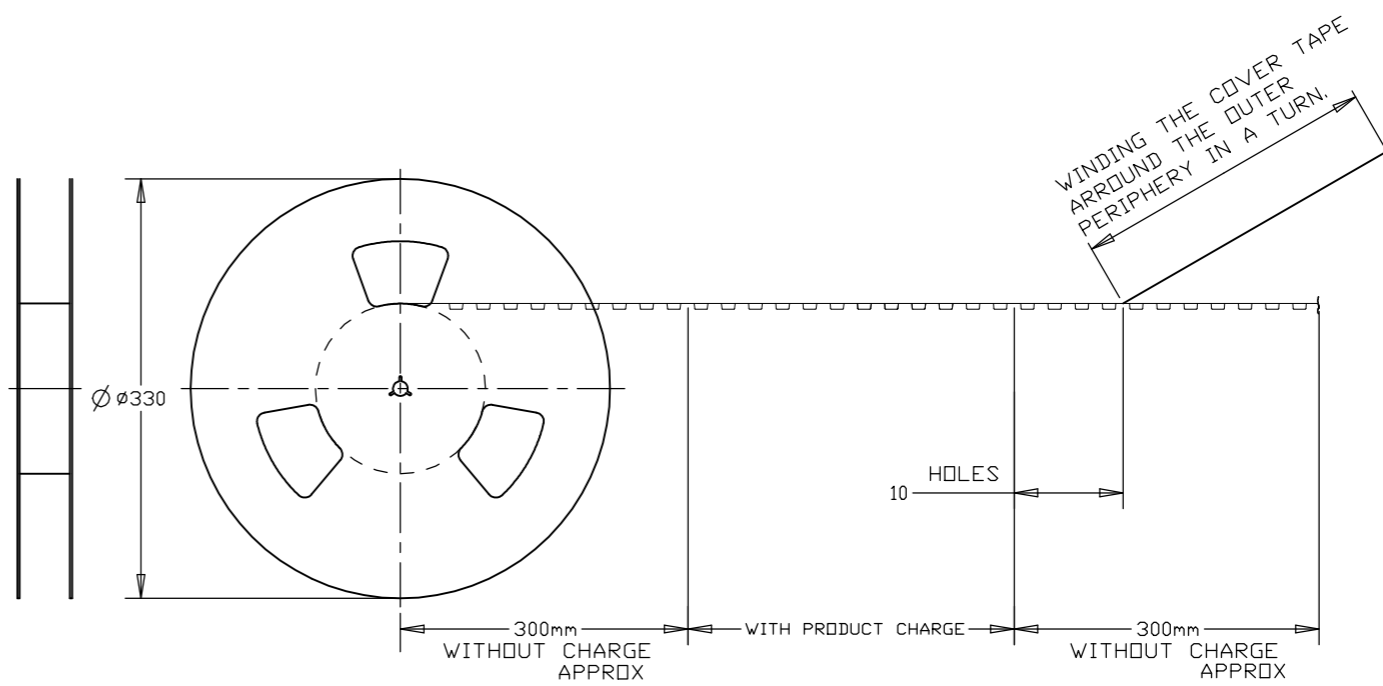
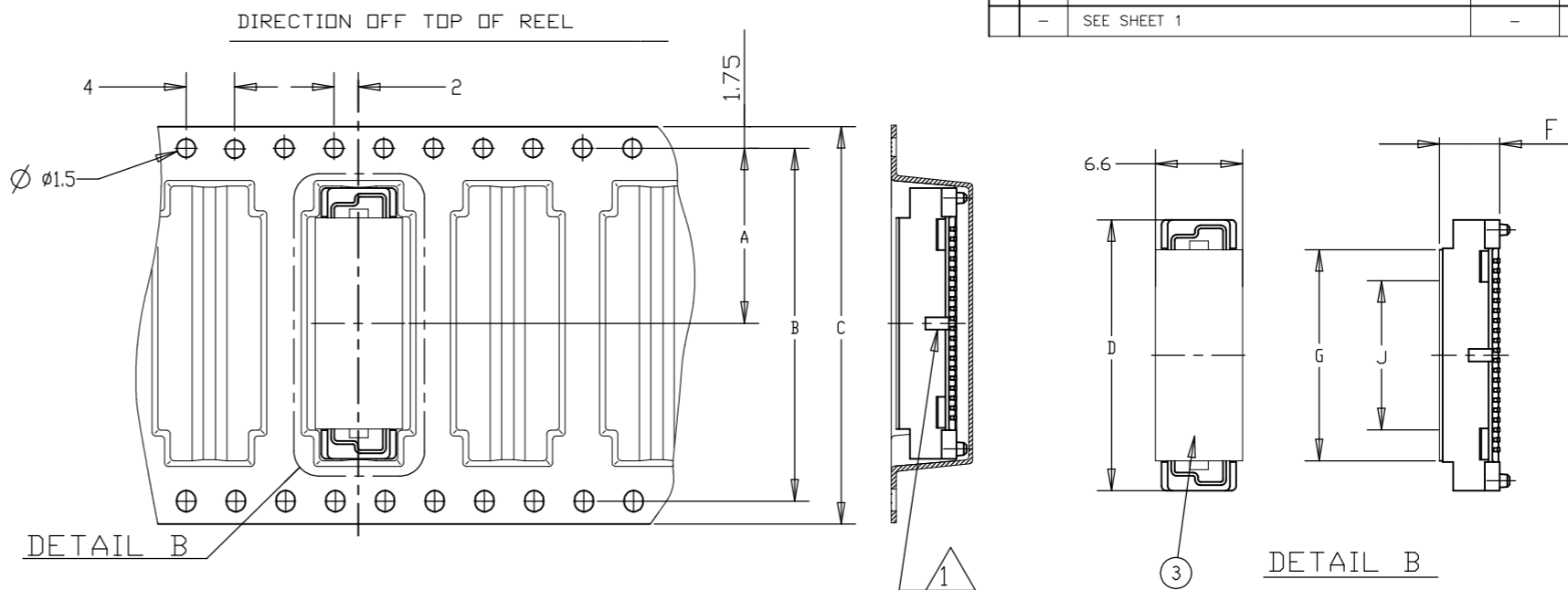
| | | | | |
|--|--|----------------------------|--|-----------------|
| THIS DRAWING IS A CONTROLLED DOCUMENT. | | DWN FLORENCE TAN 30AUG2004 | | |
| | | CHK ERIC TNG 30MAY2012 | | |
| | | APVD SF LEONG 30MAY2012 | NAME | |
| | | PRODUCT SPEC | PLUG ASSEMBLY, FH 0.8 ON TAPING (EMBOSS) 0.5 BOSS LENGTH | |
| | | APPLICATION SPEC | | |
| | | WEIGHT 0 | SIZE A2 | CAGE CODE 00779 |
| | | CUSTOMER DRAWING | DRAWING NO C=5177986 | RESTRICTED TO |
| | | | SCALE 1:1 | SHEET 1 of 3 |
| | | | | REV F1 |

THIS DRAWING IS UNPUBLISHED. RELEASED FOR PUBLICATION
 © COPYRIGHT - TE Connectivity ALL RIGHTS RESERVED.

LOW HALOGEN

| REVISIONS | | | | |
|-----------|-----|-------------|------|------|
| P | LTR | DESCRIPTION | DATE | APVD |
| - | - | SEE SHEET 1 | - | - |

Notes:
 6 0.0002 MIN GOLD PLATING
 (7.8u INCHES GOLD PLATING)

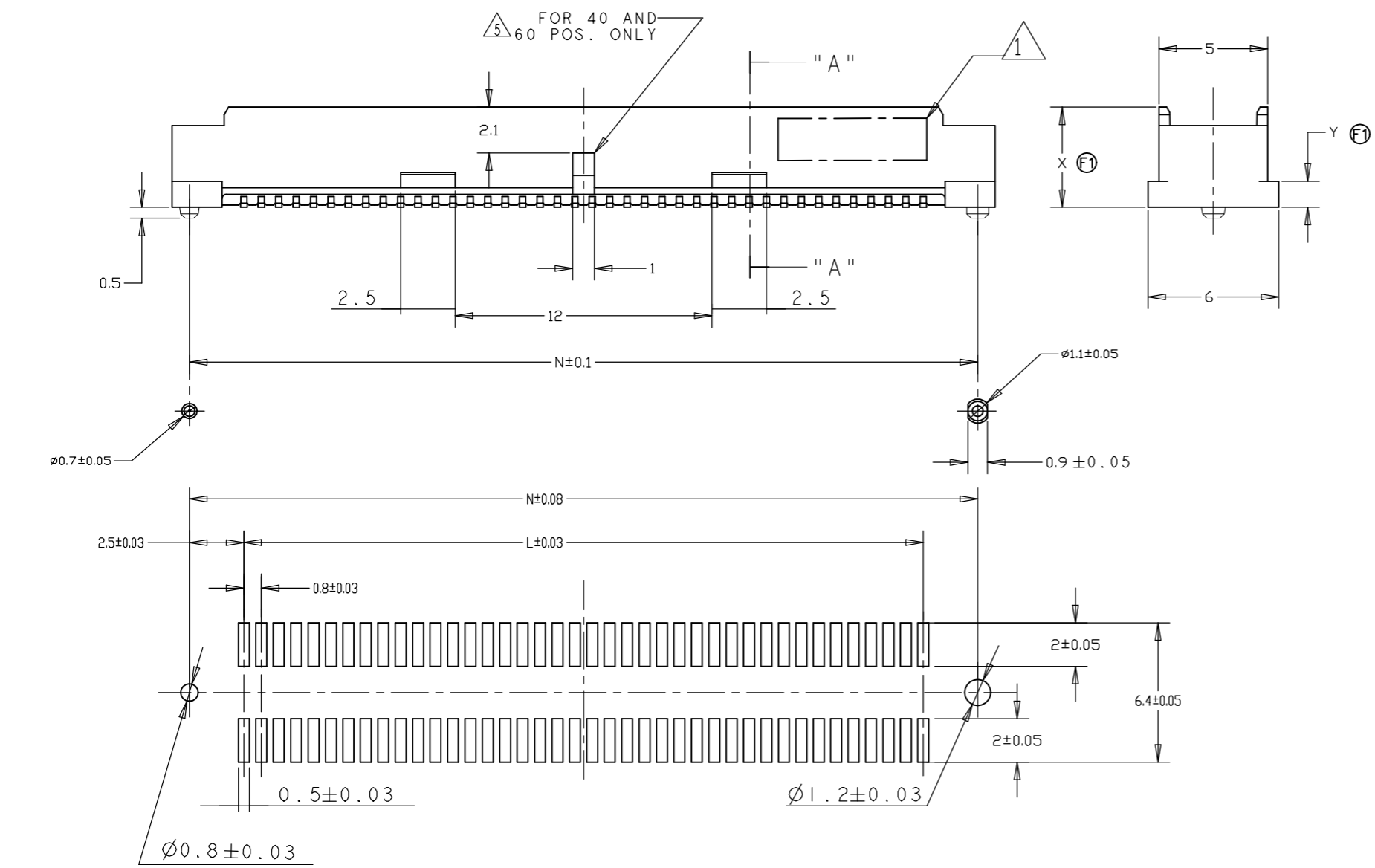
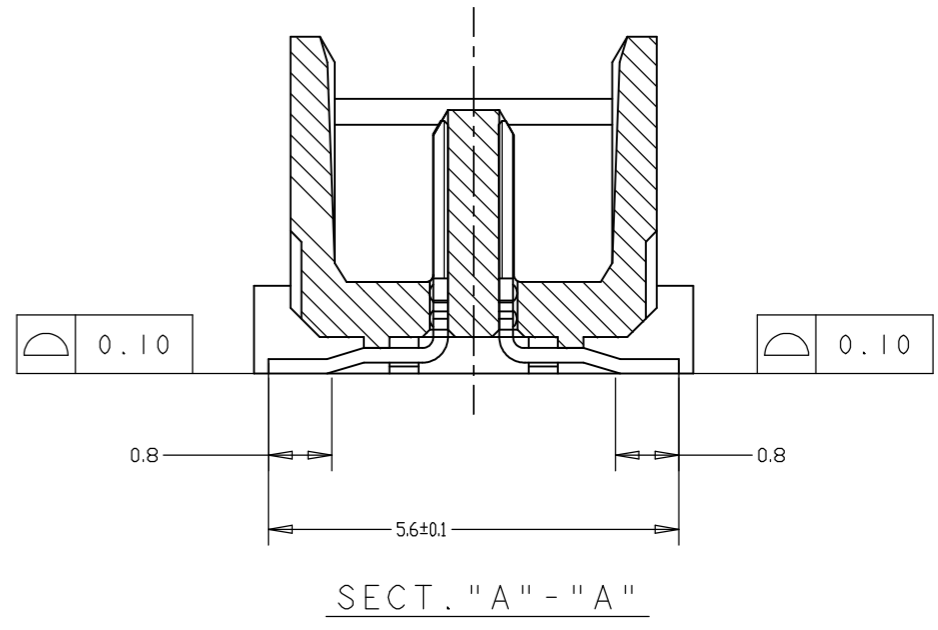
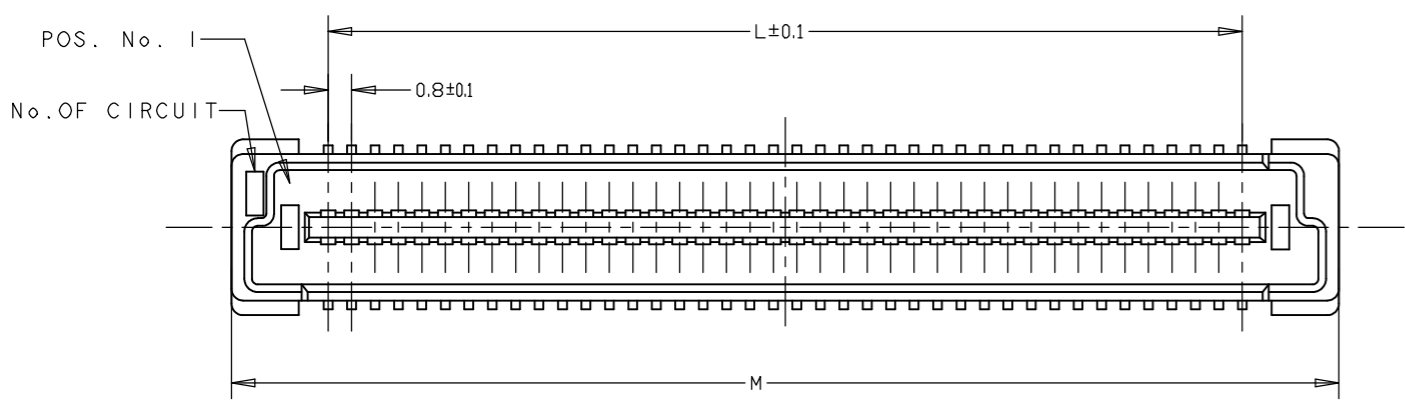


POLYIMIDE COVER

| | | | | | | | | | | | | | |
|---------|-----|-------------|----|----|----|------|------|------|----|------|------|-----|-------------------|
| REMARKS | QTY | HEIGHT TYPE | J | H | G | F | E | D | C | B | A | POS | SALEABLE PART NO. |
| | 650 | 5H | 12 | 16 | 17 | 4.85 | 5.25 | 61.8 | 88 | 84.4 | 42.2 | 140 | 9-5177986-6 |

| | | | | |
|--|--|-------------------------------|---|-----------|
| THIS DRAWING IS A CONTROLLED DOCUMENT. | | DWN 30AUG2004 FLORENCE TAN | | |
| DIMENSIONS: mm | | CHK 30MAY2012 ERIC TNG | | |
| TOLERANCES UNLESS OTHERWISE SPECIFIED: | | APVD 30MAY2012 SF LEONG | NAME | |
| 0 PLC ± - | | PRODUCT SPEC | PLUG ASSEMBLY, FH 0.8 ON TAPING (EMBOSS) 0.5 BOSS LENGTH | |
| 1 PLC ± 0.2 | | APPLICATION SPEC | SIZE | CAGE CODE |
| 2 PLC ± 0.15 | | WEIGHT 0 | A2 | 00779 |
| 3 PLC ± 0.1 | | CUSTOMER DRAWING | C=5177986 | |
| 4 PLC ± - | | SCALE 1:1 | SHEET 2 of 3 | REV F1 |
| ANGLES ± - | | | | |
| FINISH - | | | | |

| REVISIONS | | | | |
|-----------|-----|-------------|------|------|
| P | LTR | DESCRIPTION | DATE | APVD |
| - | - | SEE SHEET 1 | - | - |



RECOMMENDED P.C. BOARD LAYOUT

LOW HALOGEN

CONNECTOR ONLY

| | | | |
|--------|------|------|--------|
| 84.2 | 85.8 | 79.2 | 200 |
| 76.2 | 77.8 | 71.2 | 180 |
| 68.2 | 69.8 | 63.2 | 160 |
| 60.2 | 61.8 | 55.2 | 140 |
| 52.2 | 53.8 | 47.2 | 120 |
| 44.2 | 45.8 | 39.2 | 100 |
| 36.2 | 37.8 | 31.2 | 80 |
| 28.2 | 29.8 | 23.2 | 60 |
| 20.2 | 21.8 | 15.2 | 40 |
| ϕ | N | M | L POS. |

| | | | | |
|--|--|----------------------------------|--|--------------|
| THIS DRAWING IS A CONTROLLED DOCUMENT. | | DWN FLORENCE TAN 30AUG2004 | | |
| DIMENSIONS: mm | | CHK ERIC TNG 30MAY2012 | | |
| TOLERANCES UNLESS OTHERWISE SPECIFIED: | | APVD SF LEONG 30MAY2012 | NAME | |
| 0 PLC ± - | | PRODUCT SPEC | PLUG ASSEMBLY, FH 0.8 ON TAPING (EMBOSS) 0.5 BOSS LENGTH | |
| 1 PLC ± 0.2 | | APPLICATION SPEC | RESTRICTED TO | |
| 2 PLC ± 0.15 | | WEIGHT | SIZE | CAGE CODE |
| 3 PLC ± 0.1 | | 0 | A2 | 00779 |
| 4 PLC ± - | | CUSTOMER DRAWING | DRAWING NO | C=5177986 |
| ANGLES ± - | | SCALE | 1:1 | SHEET 3 of 3 |
| FINISH | | REV | F1 | |

Mouser Electronics

Authorized Distributor

Click to View Pricing, Inventory, Delivery & Lifecycle Information:

[TE Connectivity:](#)

[5-5177986-0](#)