

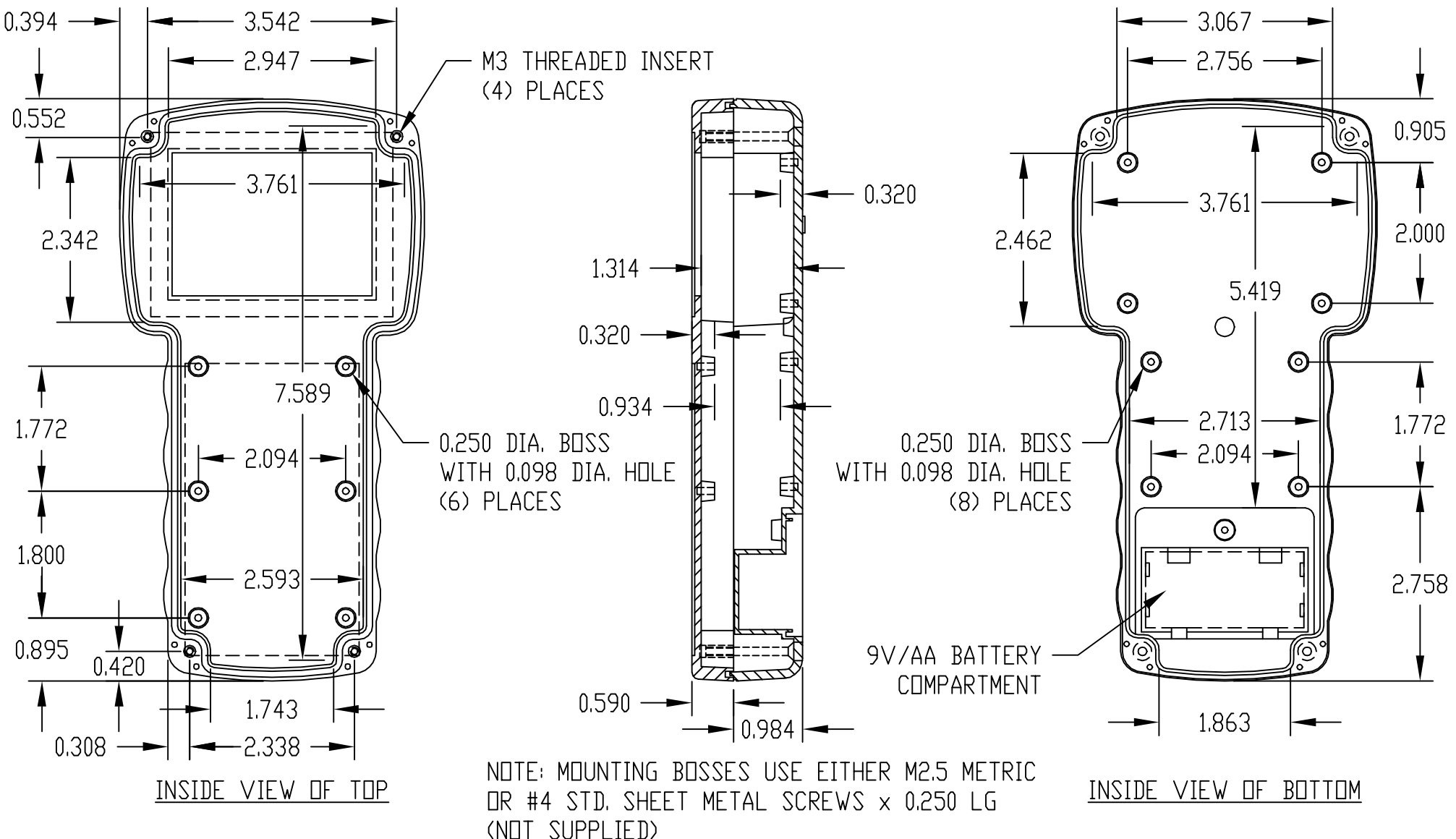
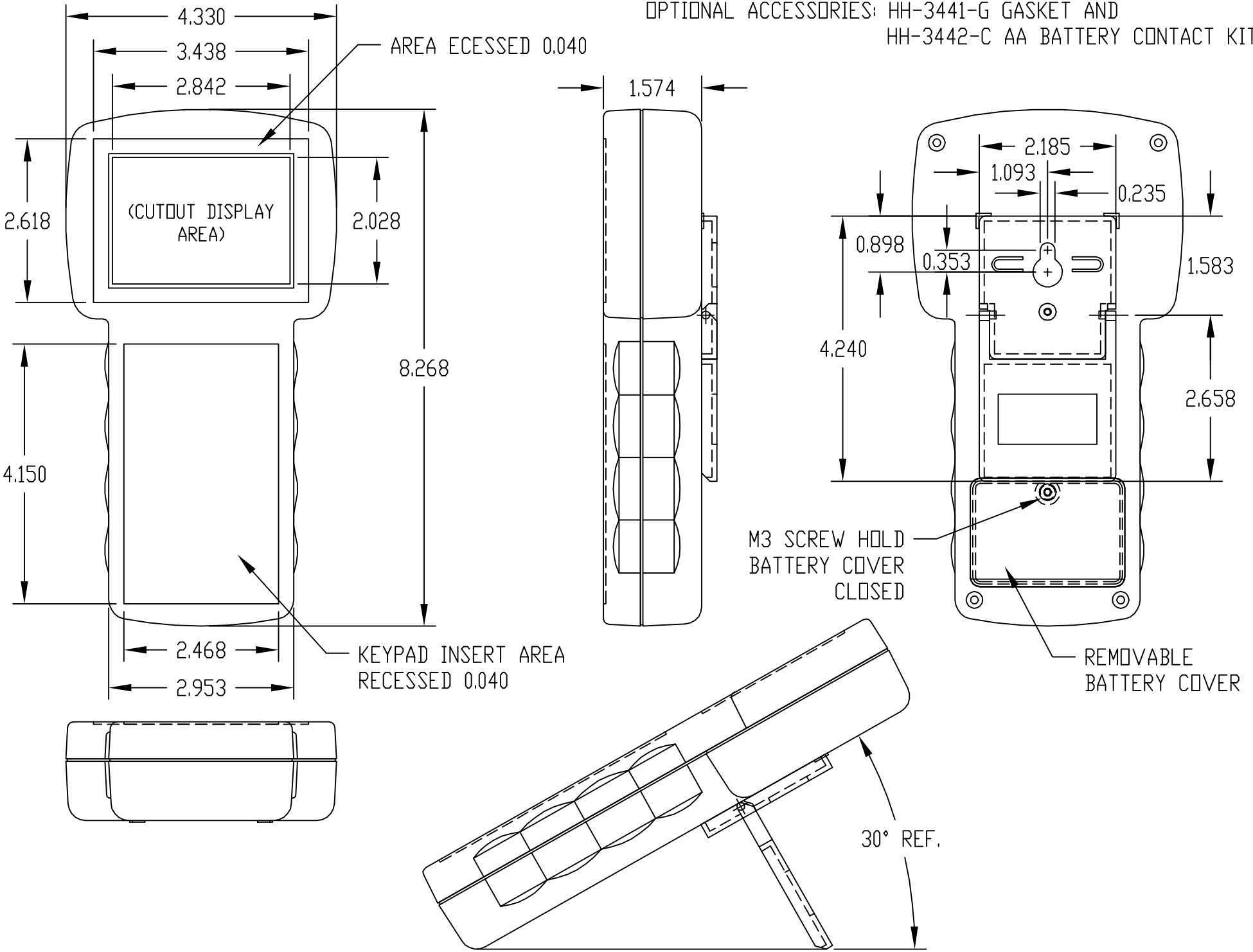
PART NAME	HAND HELD ENCLOSURE (STYLE G)	PART No.	HH-3499-BC-B & HH-3499-BC-G	REV. DATE	
-----------	-------------------------------	----------	-----------------------------	-----------	--

MATERIAL:
HIGH-IMPACT ABS (FLAMMABILITY RATING OF UL94V-0)

ALL DIMENSIONS HAVE ±0.015 TOLERANCE.

FINISH:
(SUFFIX -B) _____ BLACK
(SUFFIX -G) _____ LIGHT GRAY

FOUR (4) M3 × 1.173 LG. SCREWS SUPPLIED FOR ASSEMBLY.
ONE (1) M3 × 0.394 LG. SCREW SUPPLIED FOR TILT STAND.
WALL MOUNT/TILT STAND SUPPLIED UNASSEMBLED.
OPTIONAL ACCESSORIES: HH-3441-G GASKET AND
HH-3442-C AA BATTERY CONTACT KIT



Mouser Electronics

Authorized Distributor

Click to View Pricing, Inventory, Delivery & Lifecycle Information:

[Bud Industries:](#)

[HH-3499-BCG](#) [HH-3499-BCB](#)