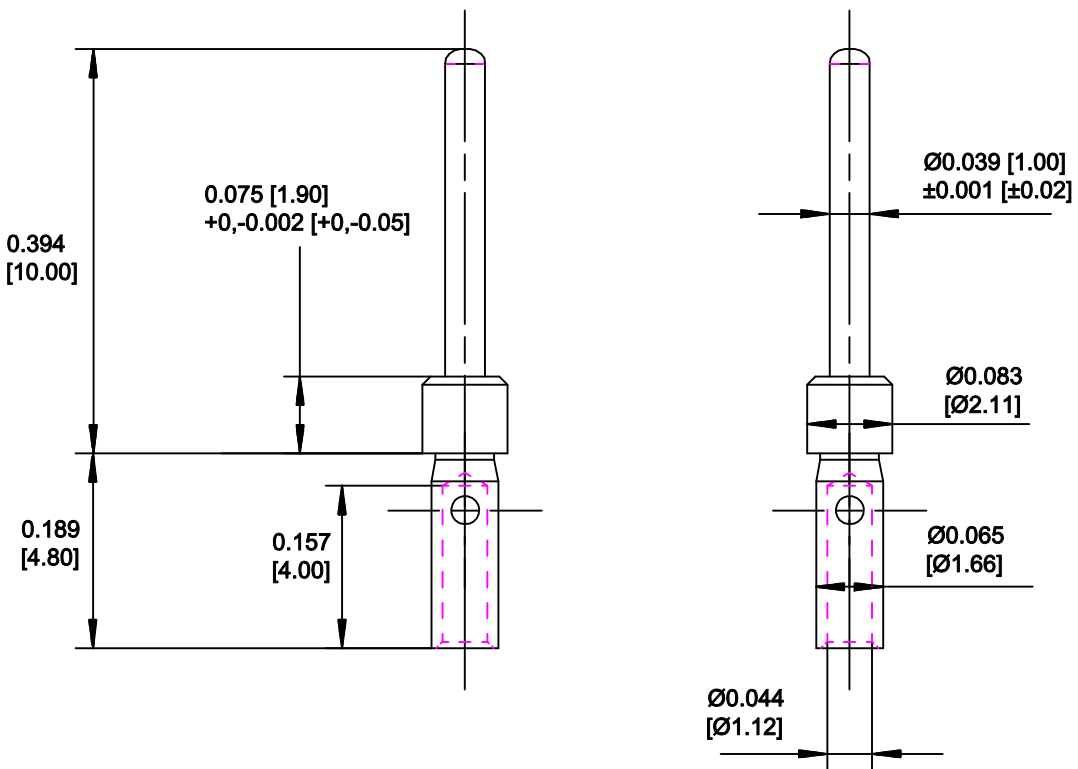


DESCRIPTION:




MATERIAL: BRASS
RoHS COMPLIANT

WIRE SIZE: 20-26 AWG

NOTE #1: CONTACTS SUPPLIED
LOOSE PIECE (500 PER BAG)
NOTE #2: RECOMMENDED MAX.
STRAND DIAMETER = .041"

PLATING	WIRE SIZE:
	20-26
.000010" GOLD OVER .000050" NICKEL ENTIRE CONTACT	170-201-170L002
.000030" GOLD OVER .000100" NICKEL ENTIRE CONTACT	170-201-170L003
.000050" GOLD OVER .000100" NICKEL ENTIRE CONTACT	170-201-170L005

	THESE DRAWINGS AND SPECIFICATIONS ARE THE PROPERTY OF NorComp AND SHALL NOT BE REPRODUCED, COPIED OR USED AS THE BASIS FOR THE MANUFACTURE OF SALE OF APPARATUS WITHOUT WRITTEN PERMISSION.		DRAWN: PAM JENKINS	DATE: 7-15-05
	<h1>NorComp</h1>		CHECKED:	DATE:
SCALE:			SHEET 1 OF 1	REV 3
			DWG NO.	170-201-170L00Y

Mouser Electronics

Authorized Distributor

Click to View Pricing, Inventory, Delivery & Lifecycle Information:

[NorComp:](#)

[170-001-170L001](#) [170-201-170L002](#) [170-201-170L003](#) [170-001-170-001](#) [170-101-170-002](#) [170-102-170-002](#) [170-002-170-002](#) [170-001-170-002](#) [170-002-170-001](#) [170-201-170-002](#)