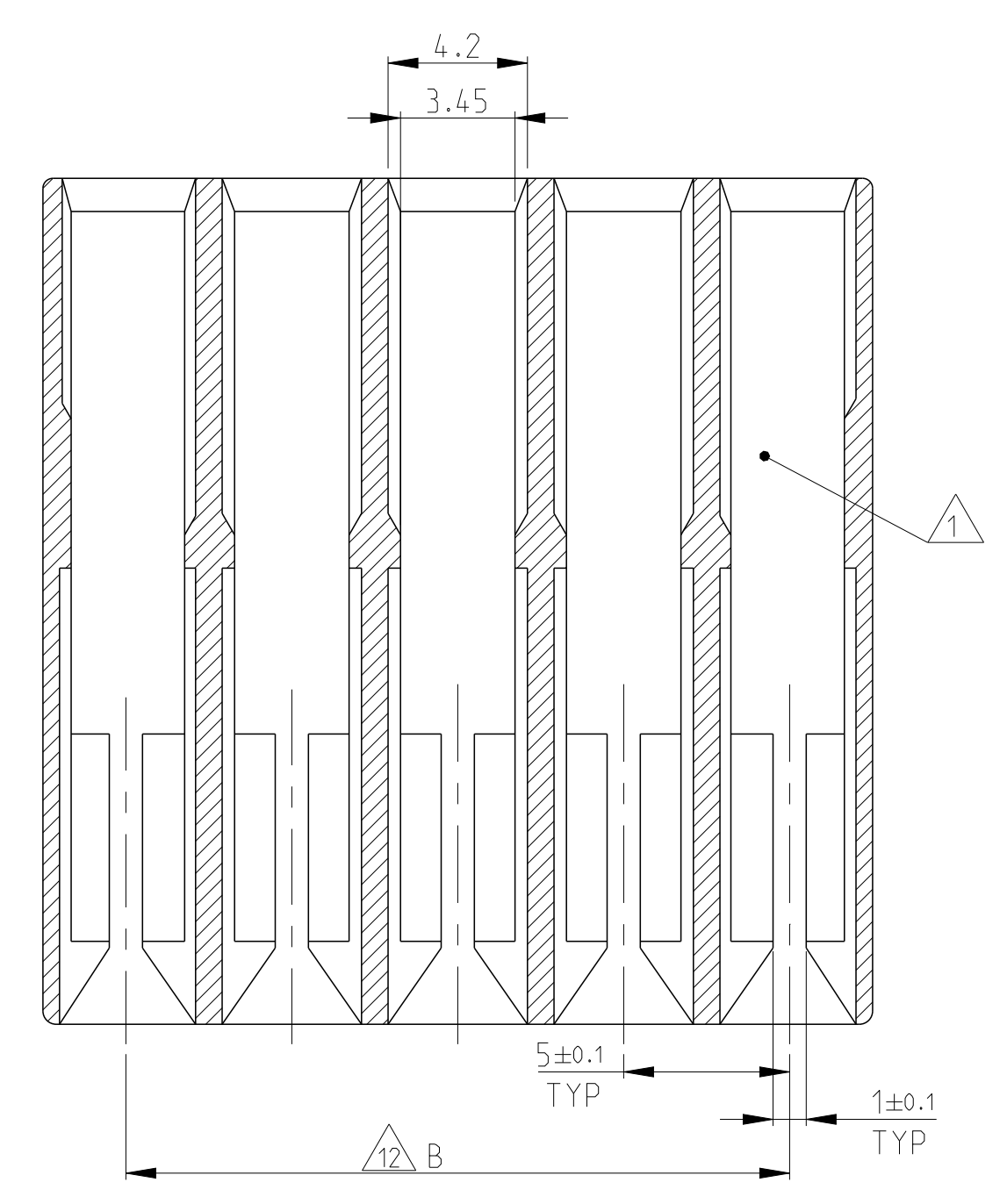
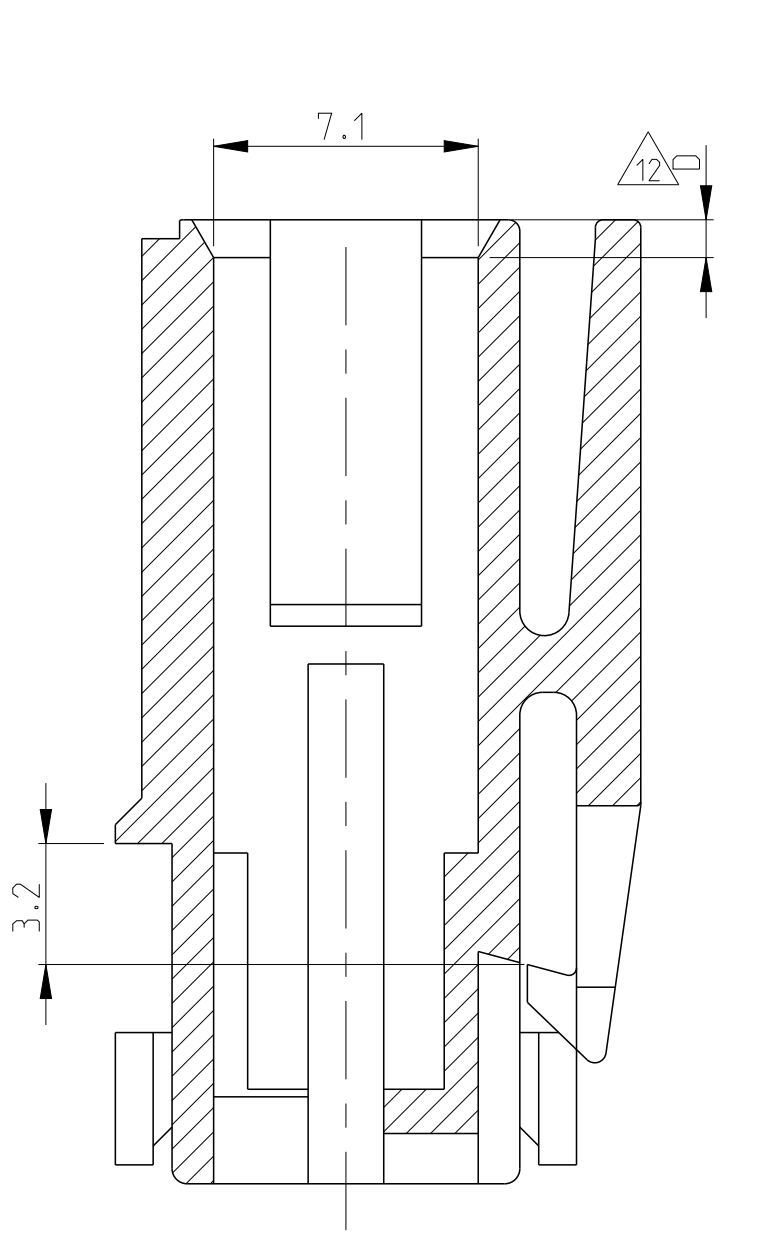
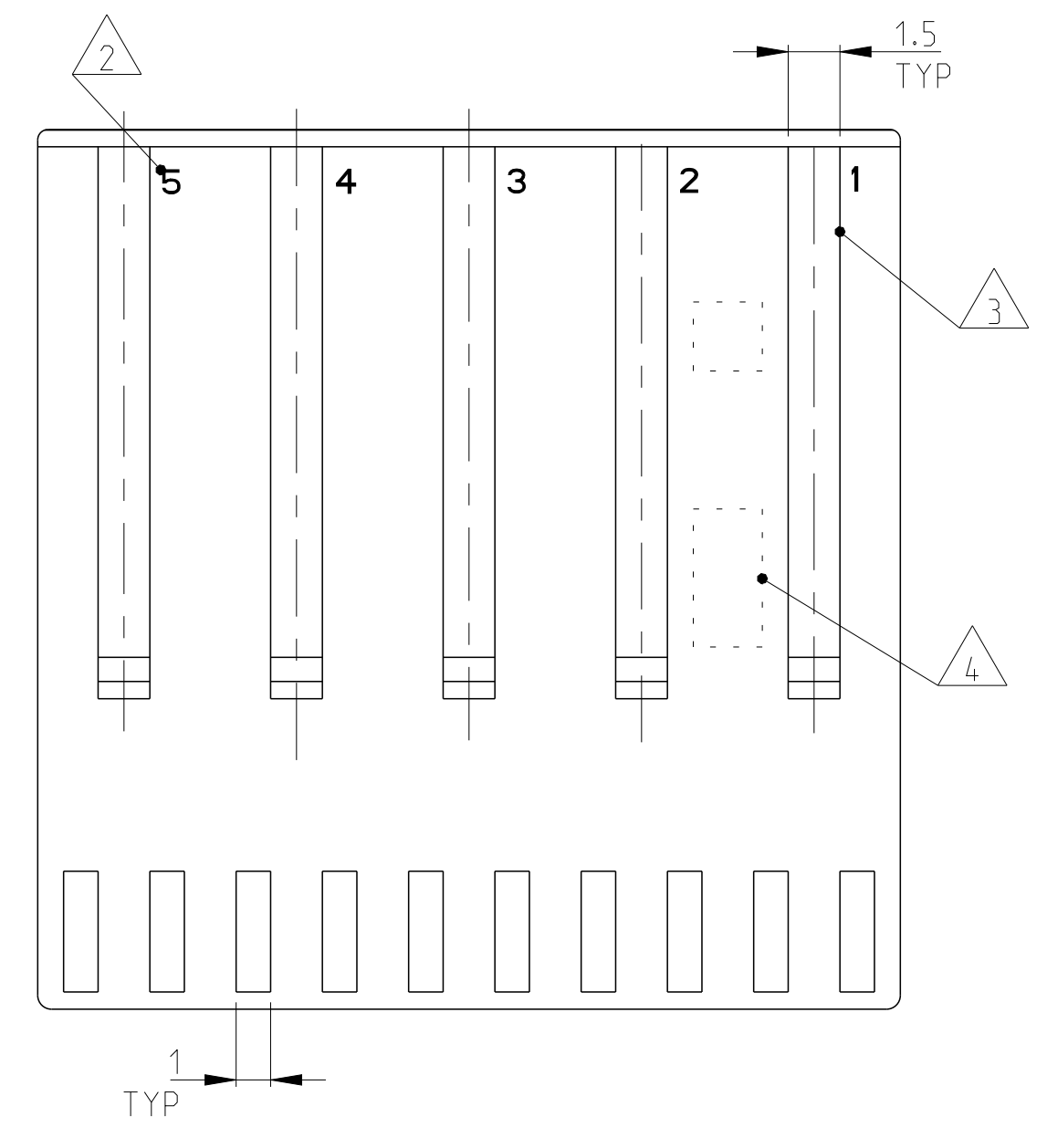
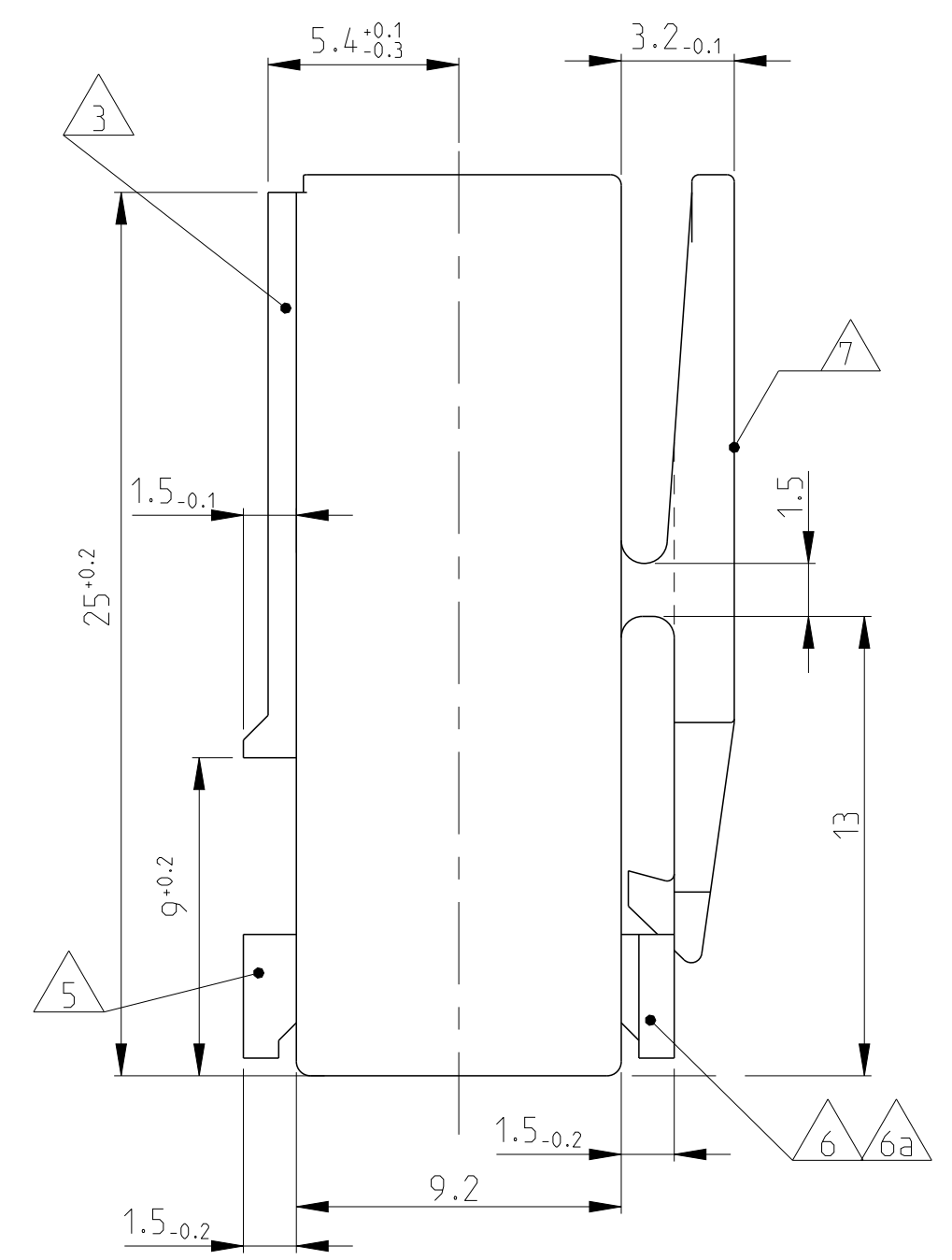
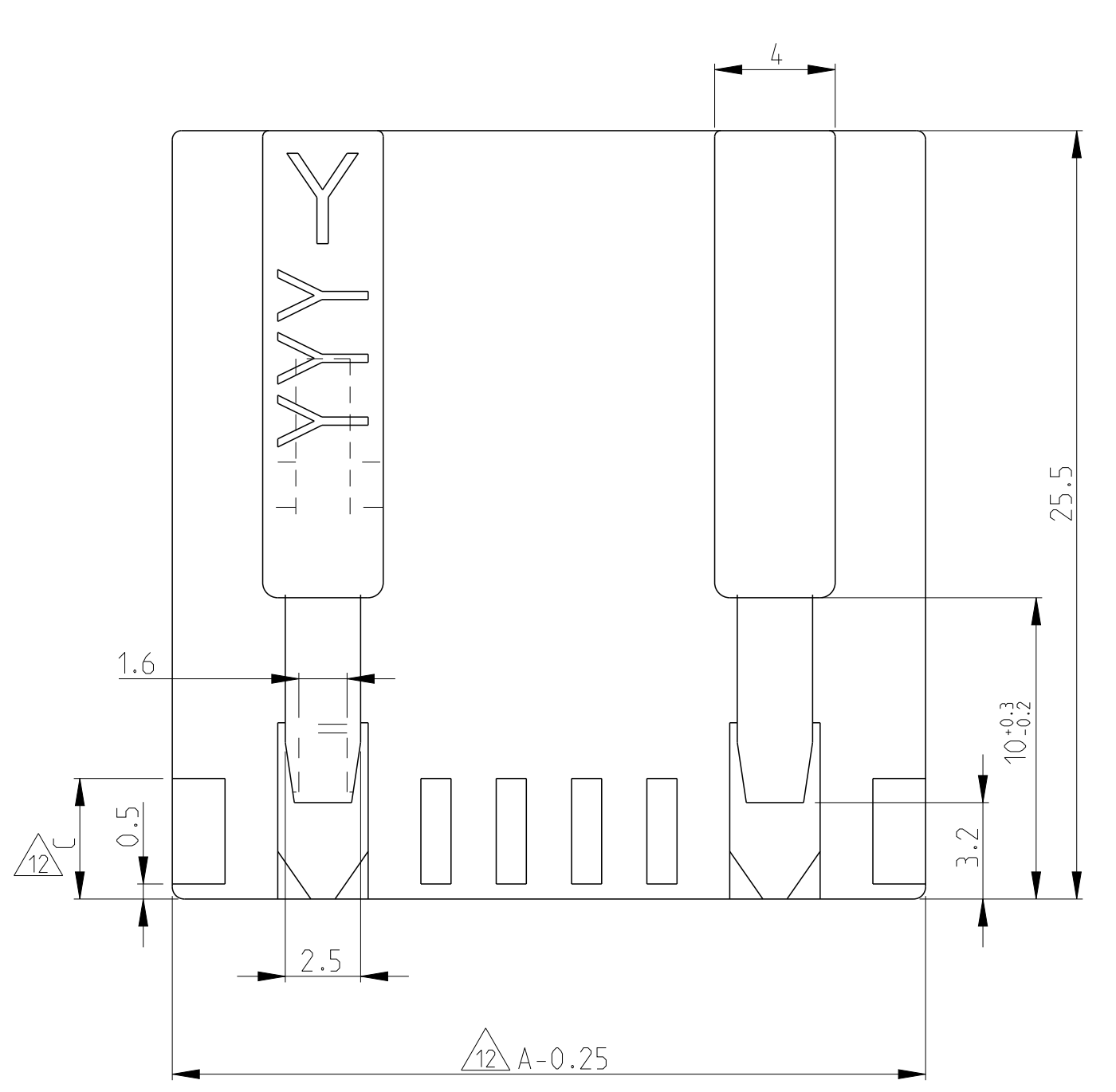
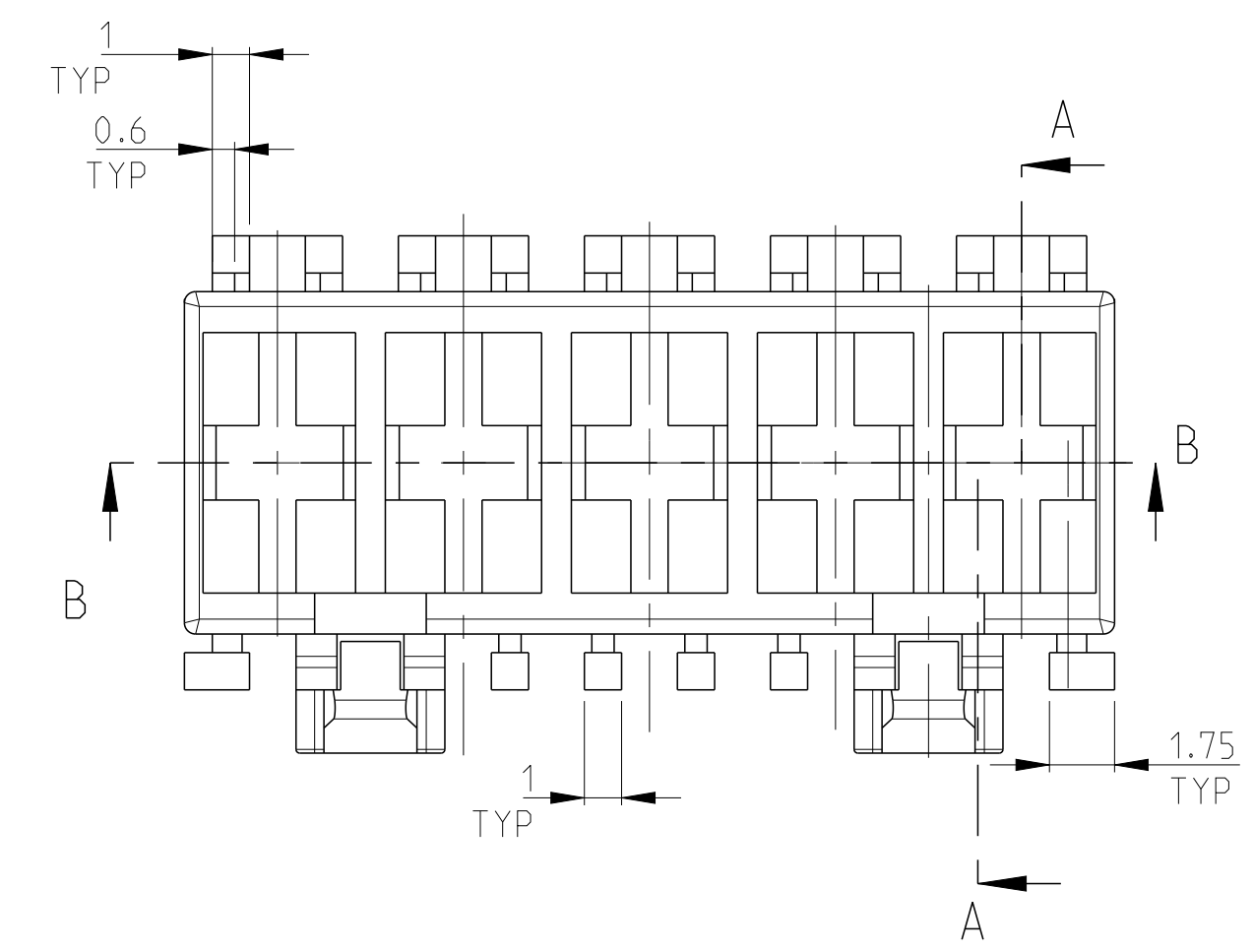
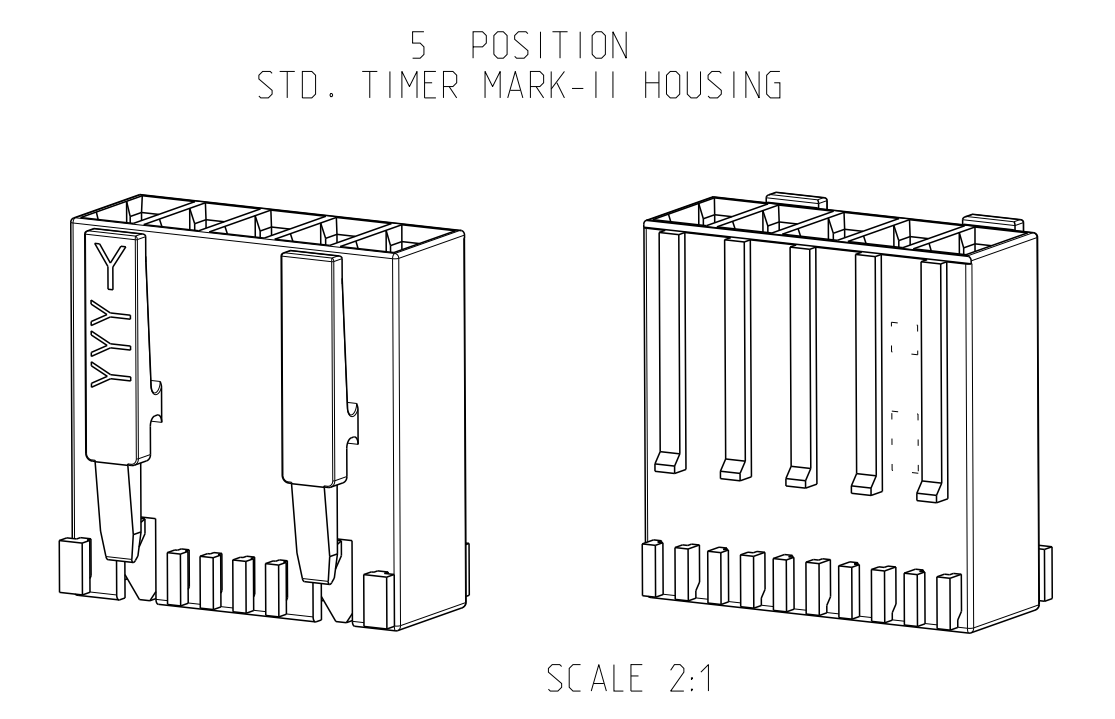


REVISONS		DATE	OWN	APVD
LOC	DIST			
A1	-			
	P	LTN	DESCRIPTION	
	C38	ECR-18-000171		05JAN2018 KD RR
	C39	ECR-18-001281		24FEB2018 LZ RR

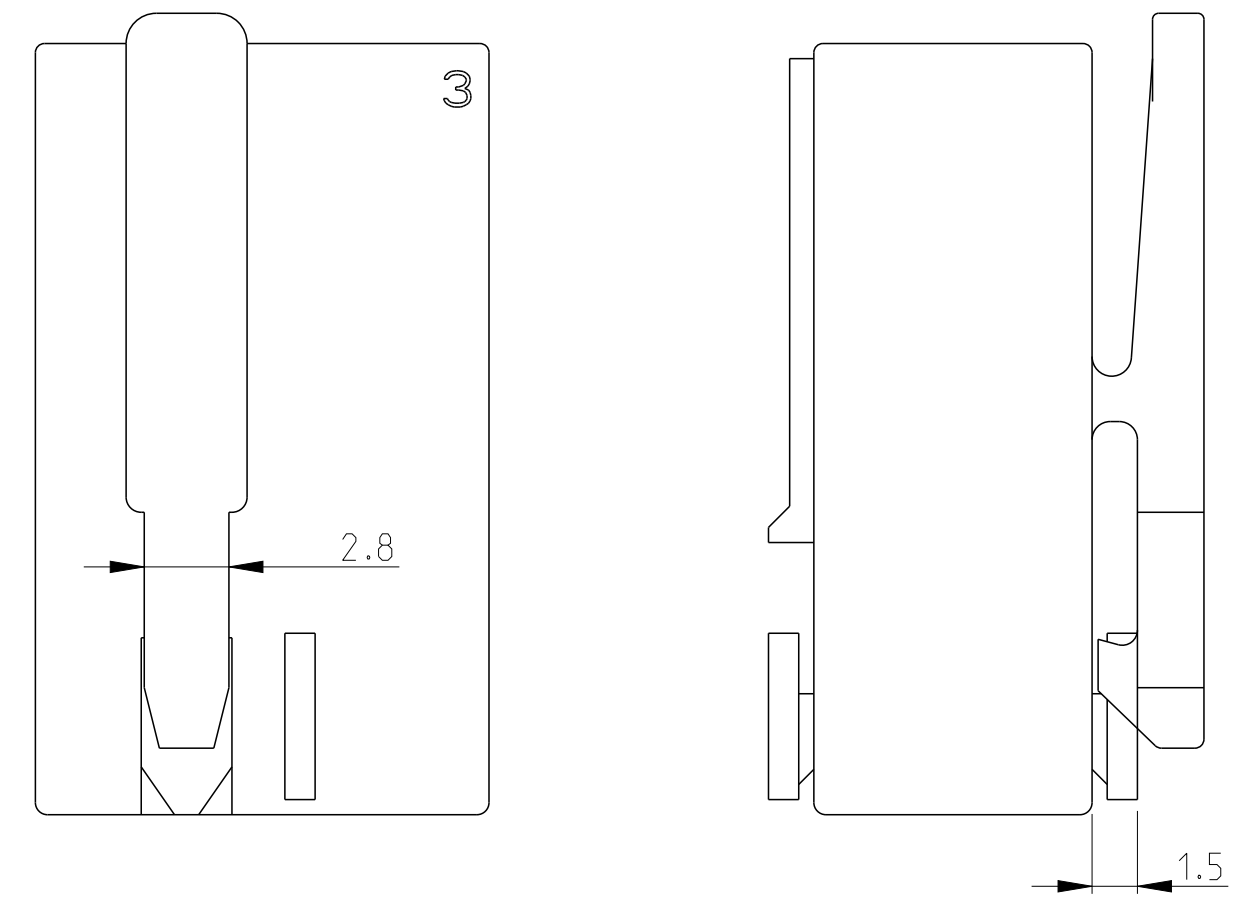


- REMARKS/Bemerkungen**
- 1 CAVITY SUITABLE FOR STANDARD TIMER CONTACTS LISTED IN PROD.SPEC. 108-18049, ITEM 3.3.2
Kammer geeignet für Standard Timer Kontakte gelistet in Prod. Spec. 108-18049, Punkt 3.3.2
 - 2 CONTACT CAVITY NO.
Kontaktkammernummerierung
 - 3 MATING STOP
Tiefenanschlag
 - 4 AREA FOR TE LOGO ACC: TO SPEC 202-36
Bereich für TE Logo nach Spec. 202-36
 - 5 POLARIZATION RIB POSITION "a" AND/OR "b"
Polarisierungsrippe Position "a" und/oder "b"
 - 6 KEYING RIB POSITION "c" AND/OR "d"
Kodierrippe Position "c" und/oder "d"
 - 6a KEYING RIB POSITION "c" AND/OR "d" AT THE END WALLS OF THE HOUSING
Kodierrippe Position "c" und/oder "d" an den Gehäusestirnseiten
 - 7 LOCKING LATCH
Rasthaken
 - 8 TE PART NO (PN)
TE Bestell Nr. (PN)
 - 9 DESIGN OF THE HOUSINGS ACC. TO RAST 5 STANDARD
Gehäuseausführung gemäss RAST 5 Vorgabe
 - 10 GENERAL SUITABLE TAB HEADER SEE RAST 5 PERFORMANCE
Generell passende Flachsteckerwannen siehe RAST 5 Vorgabe
 - 11 PACKAGING: BULK PACKAGING IN CORRUGATED BOX PN 740580-2
2 POS. 2500 PIECES PER BOX / 3 POS. 2000 PIECES PER BOX
Verpackung: Schüttgut in Versandkarton Pn 740580-2
2pol. 2500 Stück per Karton / 3pol. 2000 Stück per Karton
 - 12 DIMENSION A, B C AND D SEE SHEET 2 OF 3
 - 13 MATERIAL CORRESPONDS TO THE REQUIRMENT EN 60335
(INCL. GLOW WIRE TEST 750° WITHOUT FLAME)
Material entspricht den Anforderungen der EN 60335
(inkl. Glühdrahttest 750° ohne Flamme)
 - 14 RATIO NUMBER OF THE KEYING VERSION, INKJET PRINTED. SEE SHEET 2
Kodierungskennnummer, mit Tintenstrahldrucker aufgebracht. siehe Blatt 2
 - 15 PRELIMINARY- NOT RELEASED FOR PRODUCTION



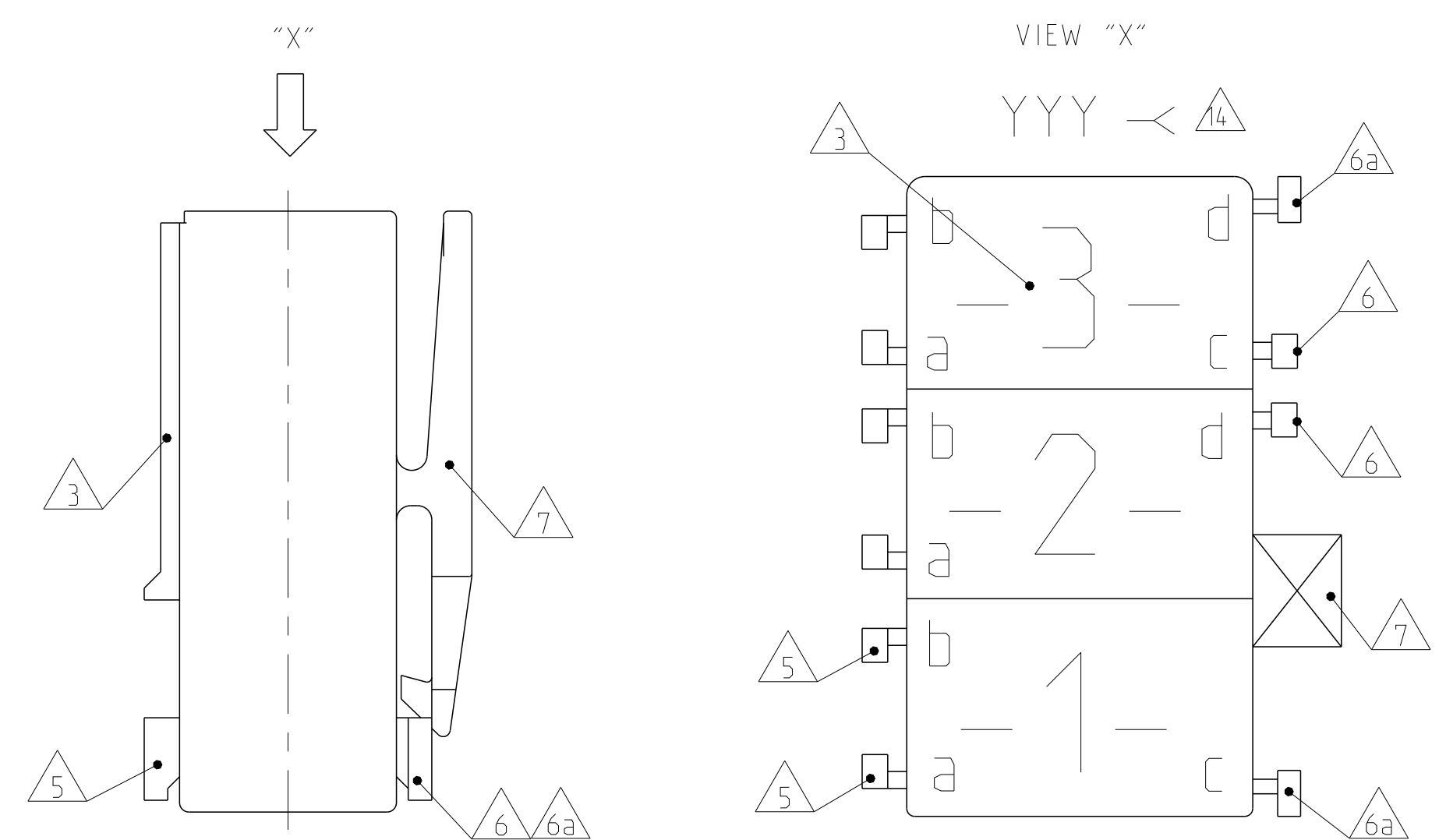
THIS DRAWING IS A CONTROLLED DOCUMENT.		OWN: Kishor M. 18-10-07		
DIMENSIONS: mm		CHK: K.Mundz 18-10-07		
TOLERANCES UNLESS OTHERWISE SPECIFIED:		APVD: Tr. Klanner 18-10-07	NAME: STANDARD TIMER HSG. RAST 5 MARK II	
0 PLC ±0.2	1 PLC ±0.2	PRODUCT SPEC: 108-18049	Standard Timer Gehäuse RAST 5 Mark II	
2 PLC ±0.2	3 PLC ±0.2	APPLICATION SPEC: -	SIZE: A1 CAGE CODE: 00779 DRAWING NO: 1241961	
4 PLC ±0.2	ANGLES ±°	WEIGHT: -	RESTRICTED TO: -	
MATERIAL: SEE TABLE SHEET 2 OF 3	FINISH: -	Customer Drawing	SCALE: 5:1 SHEET 1 OF 3 REV: C39	

ONLY 5-1241961-7, 1-1241961-9, 7-1241961-7



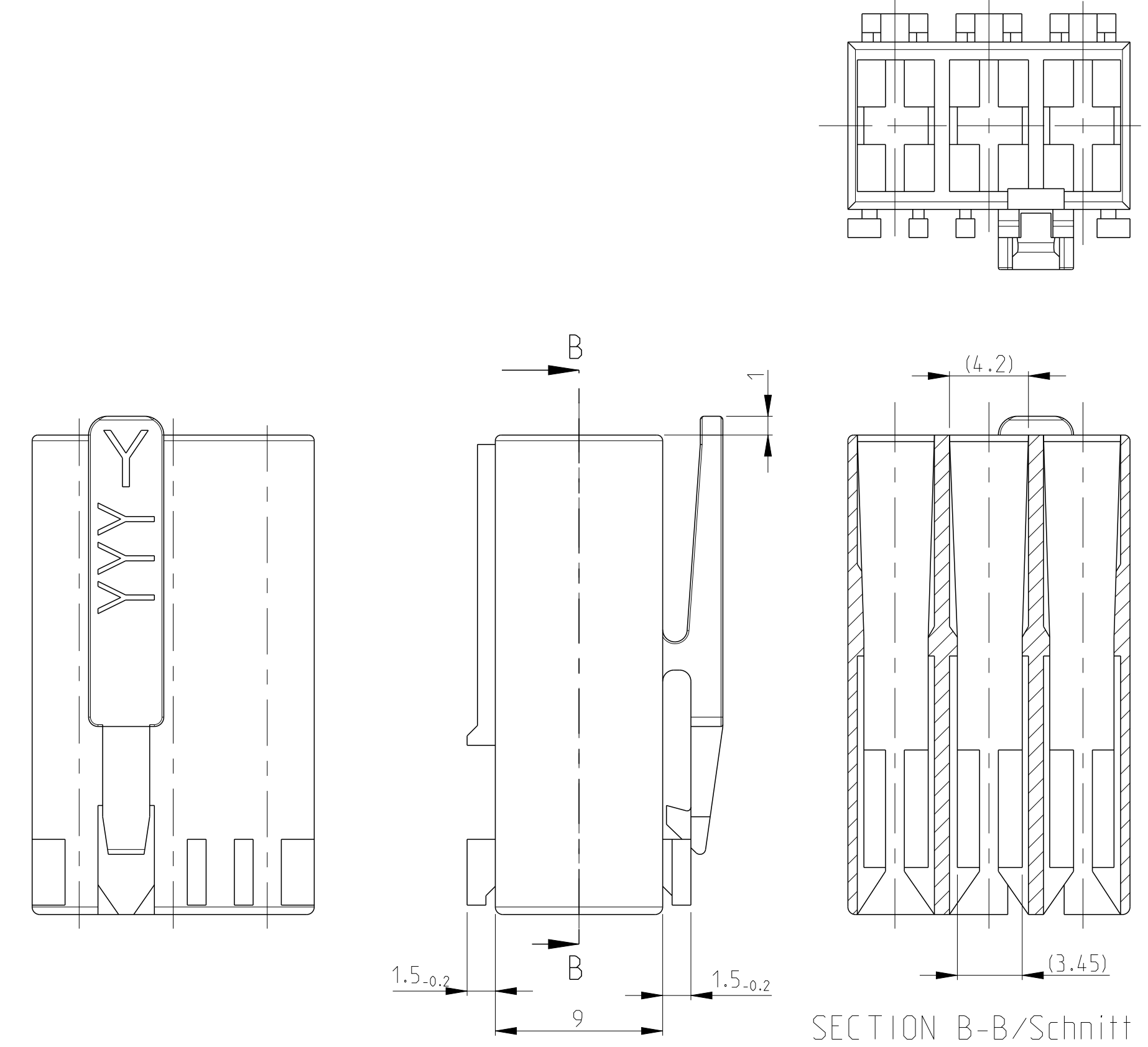
ALL OTHER DIMENSIONS SEE SHEET 1 OF 3

KEY LAYOUT DESCRIPTION



PAY ATTENTION !
DIFFERENT CAVITY GEOMETRY AND LOCKING LATCH OVERHANG
Bitte beachten !
Unterschiedliche Kammergeometrie und Rasthakenüberstand.

FOR 2 POS. AND 3 POS.



ALL OTHER DIMENSIONS SEE SHEET 1 OF 3
Alle anderen Masse siehe Seite 1 von 3

SPECIAL VERSION: UL94 VO & GWT 750 NF & CTI 350									
5-1241961-7	3			15	10	PA66	NATURAL	A	
1-1241961-9	3	6	1	15	10		NATURAL	A	
7-1241961-7	3			15	10		NATURAL	A	

SPECIAL VERSION: UL94 VO & GWT 750 NF									
2322164-1	4	4	0.5	20	15	PA66	NATURAL	1	

SPECIAL VERSION: UL94 V2 & GWT 750 NF									
6-2178575-7	3	4	0.5	15	10	PA6 GF15	NATURAL	A	

SPECIAL VERSION: UL94 VO & GWT 750 NF									
3-2178412-7	3			15	10	PA66 UL94 VO & GWT 750 NF	NATURAL	1	
4-2178412-7	3	6	1	15	10		NATURAL	1	
8-2178412-2	2			10	5		NATURAL	1	

UL94 VO & GWT 750 NF									
2322917-4	4			20	15	PA66 UL94 VO & GWT 750 NF	NATURAL	1	
2322917-2	2	4	0.5	10	5		NATURAL	1	
2315717-1	2			10	5		NATURAL	C	
2315717-2	2			10	5		NATURAL	C	
2315717-3	2			10	5		NATURAL	C	
2315717-4	4	4	0.5	20	15		NATURAL	C	
2315717-5	4			20	15		NATURAL	C	
2315717-6	3			15	10		NATURAL	C	
2315717-7	3			15	10		NATURAL	C	
PART NO.	POS.	DIM C	DIM D	DIM A	DIM B		MATERIAL	COLOUR	REV.

SPECIAL MATERIAL									
1955507-4	4			20	15	PA66 UL 94 VO	NATURAL	1	
9-1955506-2	2	6	1	10	5		NATURAL	1	

6-1241961-7	3			15	10	PA 6 UL94V-2	NATURAL	1	
4-1241961-7	3			15	10	PA 6 UL94V-2	NATURAL	A	
3-1241961-7	3	4	0.5	15	10	PA 6 UL94V-2	NATURAL	A	
1-1955422-7	3			15	10	PA 66 UNFILLED UL94 VO	NATURAL	A	
5-1955422-7	3			15	10	PA 66 UNFILLED UL94 VO	NATURAL	A	
4-1955422-3	2	6	1	10	5	PA 66 UNFILLED UL94 VO	NATURAL	A	
2-1241817-3	3	4 or 6	0.5 or 1	15	10	PA 66 UL94 V-2	Green	E	
0-1955422-6	3			15	10	PA 66 UNFILLED UL94 VO	NATURAL	A	
8-1241961-8	3			15	10	PA 6 UL94V-2	natural	C	
0-1241961-8	3			15	10			A	
8-1241961-3	2	4	0.5	10	5			C	
3-1241961-1	2			10	5	PA 6 UL94V-2	NATURAL	C	
0-1955422-1	2			10	5	PA 66 UNFILLED UL94 VO	NATURAL	A	
PART NO.	POS.	DIM C	DIM D	DIM A	DIM B	MATERIAL	COLOUR Farbe	REV./Rev.	

LOC		DIST		REVISIONS			
P	LTN	DATE	OWN	APVD	DESCRIPTION		
SEE SHEET-01							

0-1241959-5	5			25	20	PA 6 UL94V-2	Natural/natur	B	
4-1241959-4	4	4	0.5	20	15			A	
2-1241959-4	4			20	15			B	
2-1241817-5	5	6	1	25	20	PA 6.6 UL94V-2	Natural/natur Black/schwarz Violet/violett Grey/grau	C	
0-1241817-5	4	0.5		25	20				
3-1241817-4	4			20	15				
2-1241817-4	4	6	1	20	15				
0-1241817-4	4	4	0.5	20	15				
2-1241983-2				10	5	PA 6 UL94V-2	Green/grün Violet/violett TARGET RAL 4001 Yellow/gelb Black/schwarz Blue/blau Red/rot	C	
1-1241983-2				10	5				
0-1241983-2	2	4	0.5	10	5				
8-1241983-2				10	5				
5-1241983-3				10	5				
6-1241983-2				10	5				
9-1241961-7		4	0.5	15	10	PA 6 UL94V-2	Natural/natur	C	
9-1241961-8		4	0.5	15	10				
6-1241961-8		4 or 6	0.5 or 1	15	10				
5-1241961-8		4	0.5	15	10				
4-1241961-8		4	0.5	15	10				
7-1241961-8		4 or 6	0.5 or 1	15	10				
1-1241961-8		4 or 6	0.5 or 1	15	10				
3-1241961-8		6	1	15	10				
2-1241961-8				15	10				
2-1241961-7		4	0.5	15	10				
9-1241961-9				15	10				
0-1241961-6				15	10				
3-1241961-3				10	5				
2-1241961-2				10	5				
5-1241961-2				10	5				
4-1241961-3				10	5				
7-1241961-2				10	5				
7-1241961-3				10	5				
6-1241961-3		2	4	0.5	10	5			
3-1241961-2				10	5				
5-1241961-3				10	5				
6-1241961-2				10	5				
0-1241961-3				10	5				
8-1241961-2				10	5				
9-1241961-2				10	5				
0-1241961-1				10	5				
9-969484-9	3	6	1	15	10	PA 6.6 UL94V-2	Yellow/gelb	H	
2-969484-8				15	10				
0-969484-8		4 or 6	0.5 or 1	15	10				
8-969484-7		4	0.5	15	10				
7-969484-7				15	10				
6-969484-7				15	10				
5-969484-7		4	0.5	15	10				
4-969484-7				15	10				
3-969484-7		4	0.5	15	10				
2-969484-7		4	0.5	15	10				
1-969484-7	3	4	0.5	15	10				
0-969484-7				15	10				
9-969484-6				15	10				
8-969484-6		6	1	15	10				
7-969484-6				15	10				
6-969484-6				15	10				
5-969484-6				15	10				
4-969484-6				15	10				
3-969484-6		6	1	15	10				
2-969484-6				15	10				
1-969484-6				15	10				
0-969484-6				15	10				
7-969484-3				10	5	PA 6.6 UL94V-2	Natural/natur	H	
6-969484-3				10	5				
5-969484-3		4	0.5	10	5				
4-969484-3				10	5				
3-969484-3				10	5				
2-969484-3				10	5				
1-969484-3				10	5				
0-969484-3				10	5				
9-969484-2				10	5				
8-969484-2				10	5				
7-969484-2				10	5				
6-969484-2		4	0.5	10	5				
5-969484-2				10	5				
4-969484-2				10	5				
3-969484-2				10	5				
2-969484-2				10	5				
1-969484-2				10	5				
0-969484-2				10	5				
9-969484-1				10	5				
8-969484-1				10	5				
7-969484-1				10	5				
6-969484-1		6	1	10	5				
5-969484-1				10	5				
4-969484-1		6	1	10	5				
3-969484-1				10	5				
2-969484-1		4	0.5	10	5				
1-969484-1				10	5				
0-969484-1				10	5				
PART NO.	POS.	DIM C	DIM D	DIM A	DIM B	MATERIAL	COLOUR	REV.	

THIS DRAWING IS A CONTROLLED DOCUMENT. DIMENSIONS: mm. TOLERANCES UNLESS OTHERWISE SPECIFIED: 0 PLC ±0.2, 1 PLC ±0.2, 2 PLC ±0.2, 3 PLC ±0.2, 4 PLC ±, ANGLES ±*.

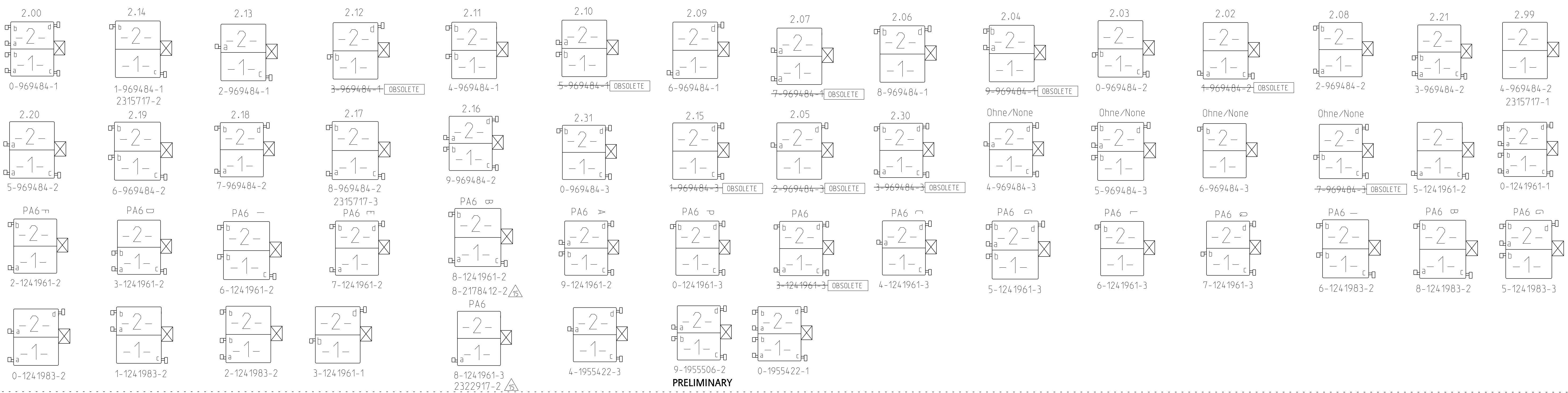
Customer Drawing

STE TE Connectivity

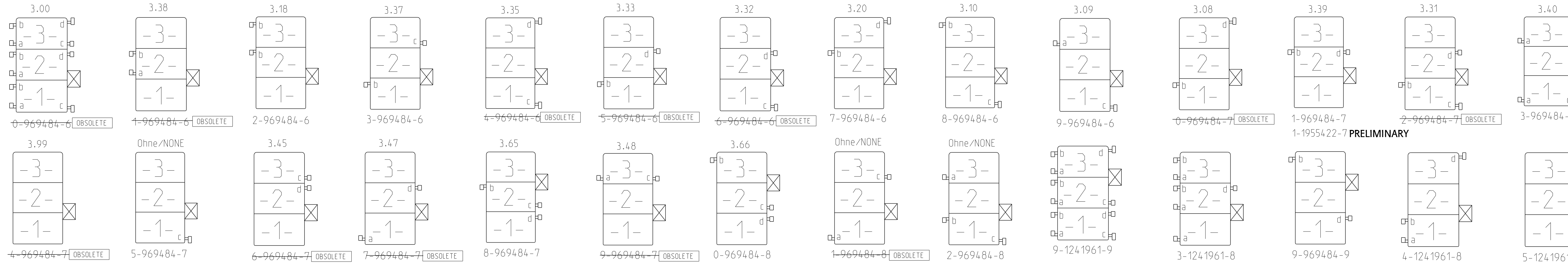
STANDARD TIMER HSG. RAST 5 MARK II
Standard Timer Gehäuse RAST 5 Mark II

SIZE: A1, CAGE CODE: 00779, DRAWING NO: 1241961, SHEET 2 OF 3, SCALE: 5:1, REV: C39

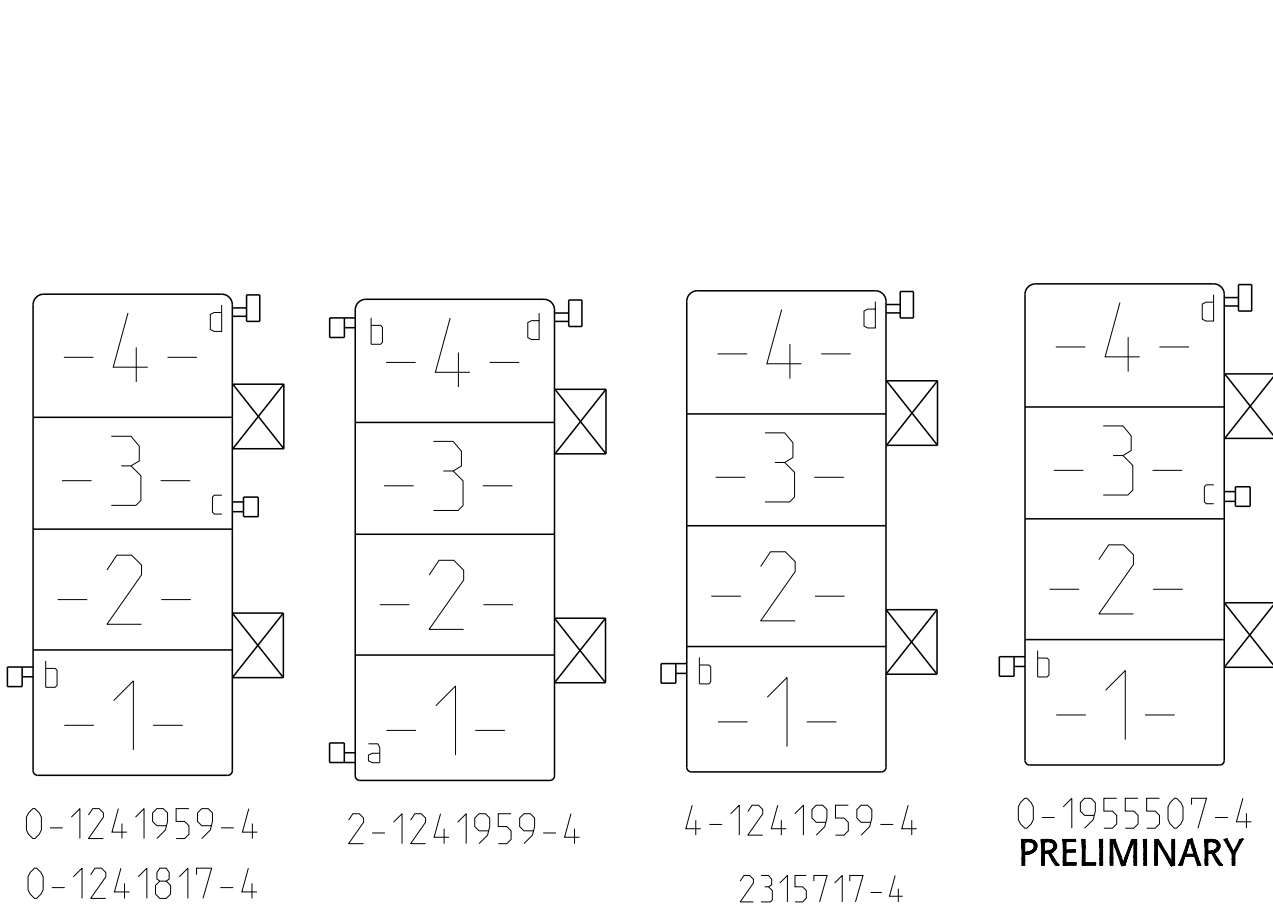
2 POSITION VARIANTS



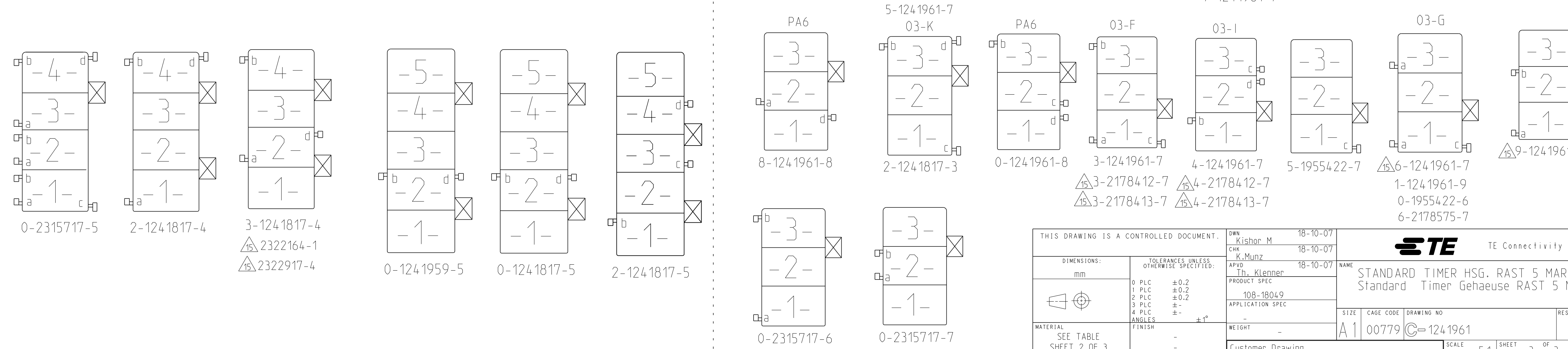
3 POSITION VARIANTS



4 POSITION VARIANTS



5 POSITION VARIANTS



THIS DRAWING IS A CONTROLLED DOCUMENT.		OWN: K. Kishor M. 18-10-07	 TE Connectivity
DIMENSIONS: mm		CHK: K. Mundz 18-10-07	
TOLERANCES UNLESS OTHERWISE SPECIFIED:		APVD: T. Klenner 18-10-07	NAME: STANDARD TIMER HSG. RAST 5 MARK II Standard Timer Gehäuse RAST 5 Mark II
0 PLC ±0.2		PRODUCT SPEC: 108-18049	
1 PLC ±0.2		APPLICATION SPEC:	SIZE: A1
2 PLC ±0.2		WEIGHT:	CAGE CODE: 00779
3 PLC ±0.2		MATERIAL: SEE TABLE	DRAWING NO: 1241961
4 PLC ±0.2		FINISH:	SHEET 3 OF 3
ANGLES: -		Customer Drawing	SCALE: 5:1
REVISIONS:		REV: 39	

Mouser Electronics

Authorized Distributor

Click to View Pricing, Inventory, Delivery & Lifecycle Information:

[TE Connectivity:](#)

[9-1241961-8](#)