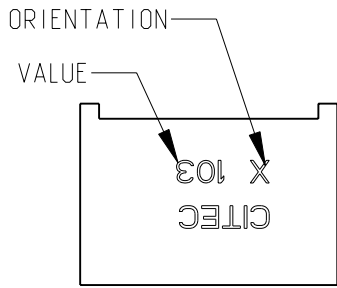
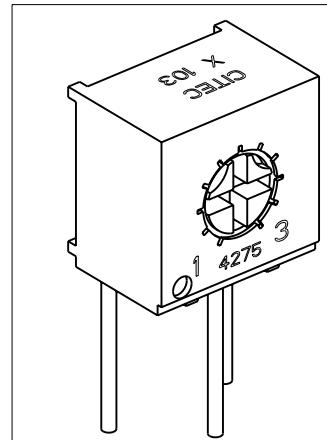
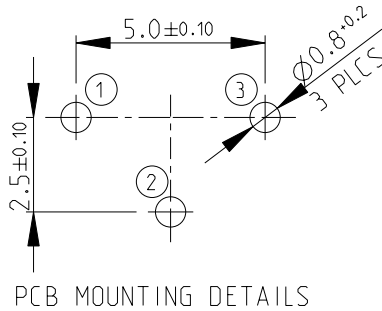
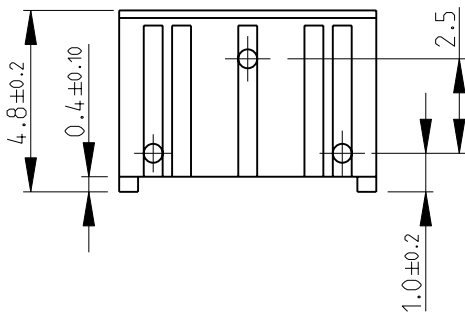
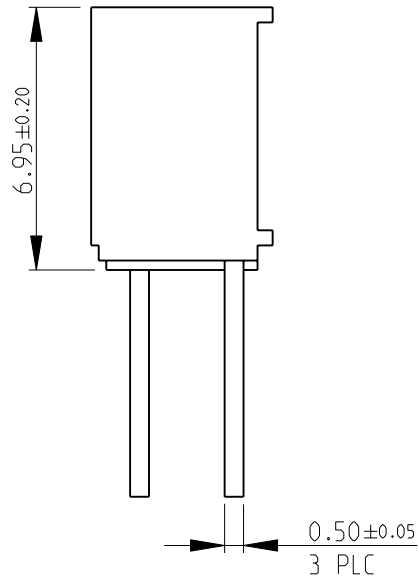
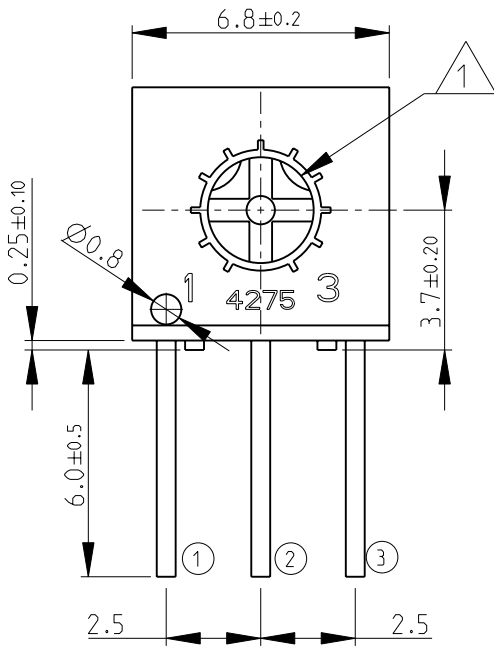
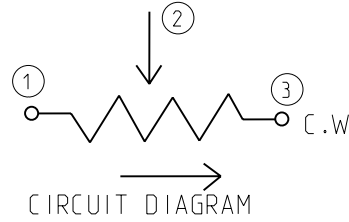


LOC	DIST	REVISIONS					
E	B	P	LTR	DESCRIPTION	DATE	DWN	APVD
			BA	NEW RELEASE	25NOV09	MRS	St.P



1 SIDE ADJUSTMENT SLOT:
Length- 2.8 ± 0.2 , Width- 0.6 ± 0.1 , Depth- 0.9 ± 0.1

2 FOR FURTHER INFORMATION SEE DATA SHEET
FOR 4275 SERIES-PROFESSIONAL TRIMMERS



RoHS Compliant

2009

RELEASED FOR PUBLICATION

THIS DRAWING IS UNPUBLISHED.

BY TYCO ELECTRONICS CORPORATION. ALL RIGHTS RESERVED.

DIMENSIONS: mm	DWN MAHARUDRA	25NOV09	MATERIAL	-	FINISH	-
	CHK ALLAN.P	25NOV09	Tyco Electronics Corporation Dorcan, Swindon, SN3 5HH			
TOLERANCES UNLESS OTHERWISE SPECIFIED:	APVD STEPHEN.P	25NOV09				
0 PLC ±0.2	PRODUCT SPEC	-	NAME PROFESSIONAL TRIMMERS SERIES 4275X			
1 PLC ±0.1	APPLICATION SPEC	-				
2 PLC ±	WEIGHT	-	SIZE	A 4	CAGE CODE	C-1623902
3 PLC ±	CUSTOMER DRAWING		DRAWING NO	C-1623902		RESTRICTED TO
4 PLC ±			SCALE	5:1	SHEET	1 OF 1
ANGLES ±5°						

Mouser Electronics

Authorized Distributor

Click to View Pricing, Inventory, Delivery & Lifecycle Information:

[TE Connectivity:](#)

[4275X105K](#)