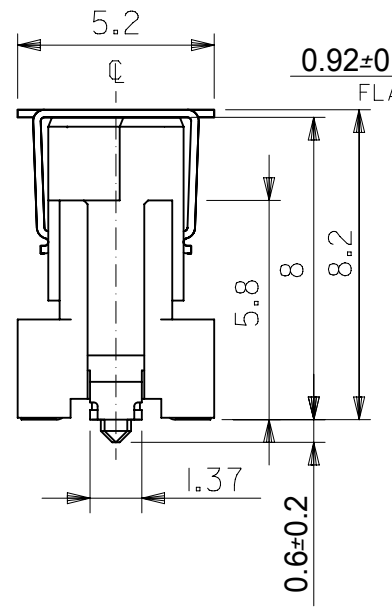
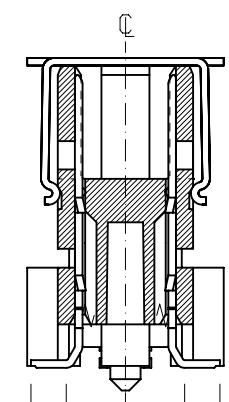
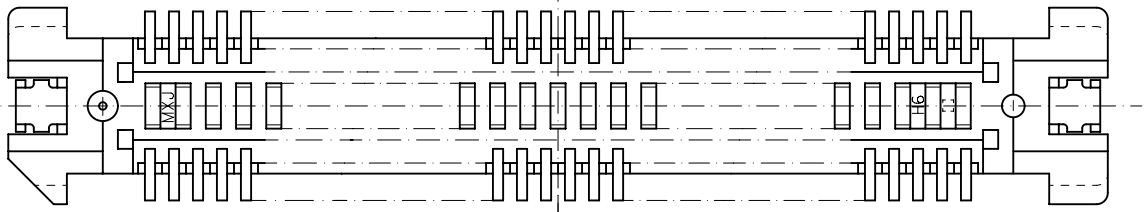
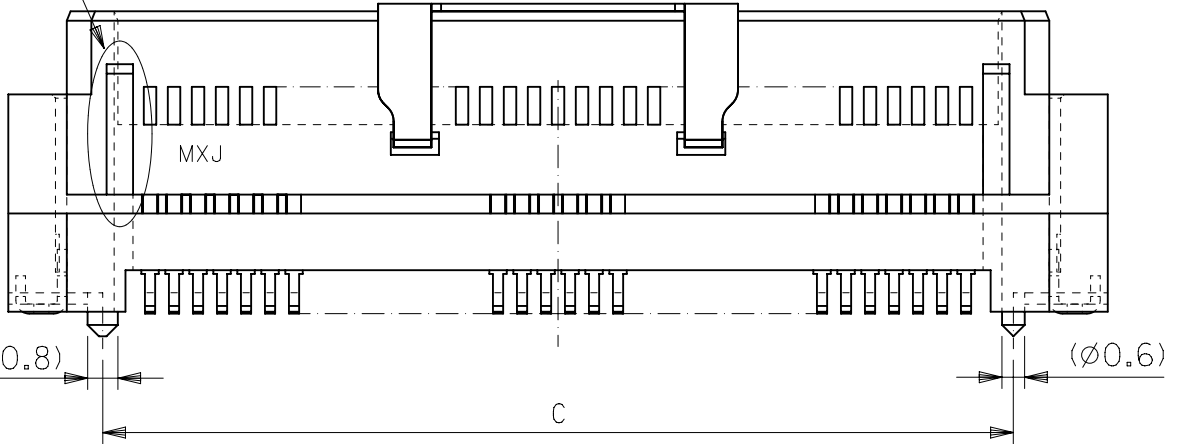
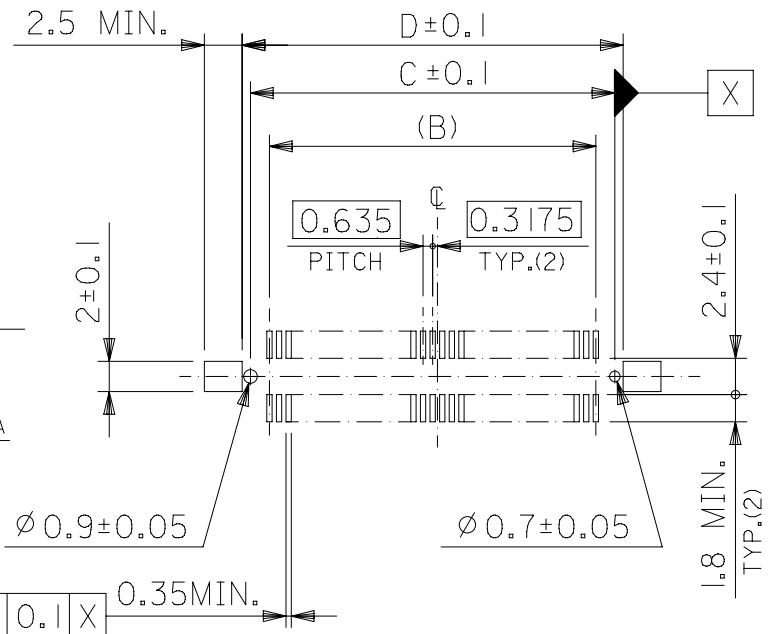


ハウジングロック (表参照)
HS'G LOCK (SEE TABLE)



半田付け部詳細図
DETAIL FOR SOLDERING AREA



推奨基板寸法
RECOMMENDED PCB PATTERN LAYOUT
(SCALE:2-1)

注)
NOTES

1.材質
MATERIAL
ハウジング: ガラス入りPPS、茶色、UL94V-0
HOUSING: G.F.PPS, BROWN, UL94V-0
ターミナル: 銅合金 (t=0.2)
TERMINAL: COPPER ALLOY
フィッティングネール: 銅合金 (t=0.2)
FITTING NAIL: COPPER ALLOY
吸着カバー: ステンレス (t=0.2)
VACUUM COVER: STAINLESS STEEL

3.テールのバラツキ寸法
TAIL COPLANARITY
テール平坦度は、0.1MAX. とする。
TAIL COPLANARITY TO BE 0.1MAX.

4.本製品は 53649-***2の鉛フリー品である。
THIS PRODUCT IS LEAD FREE OF 53649-***2

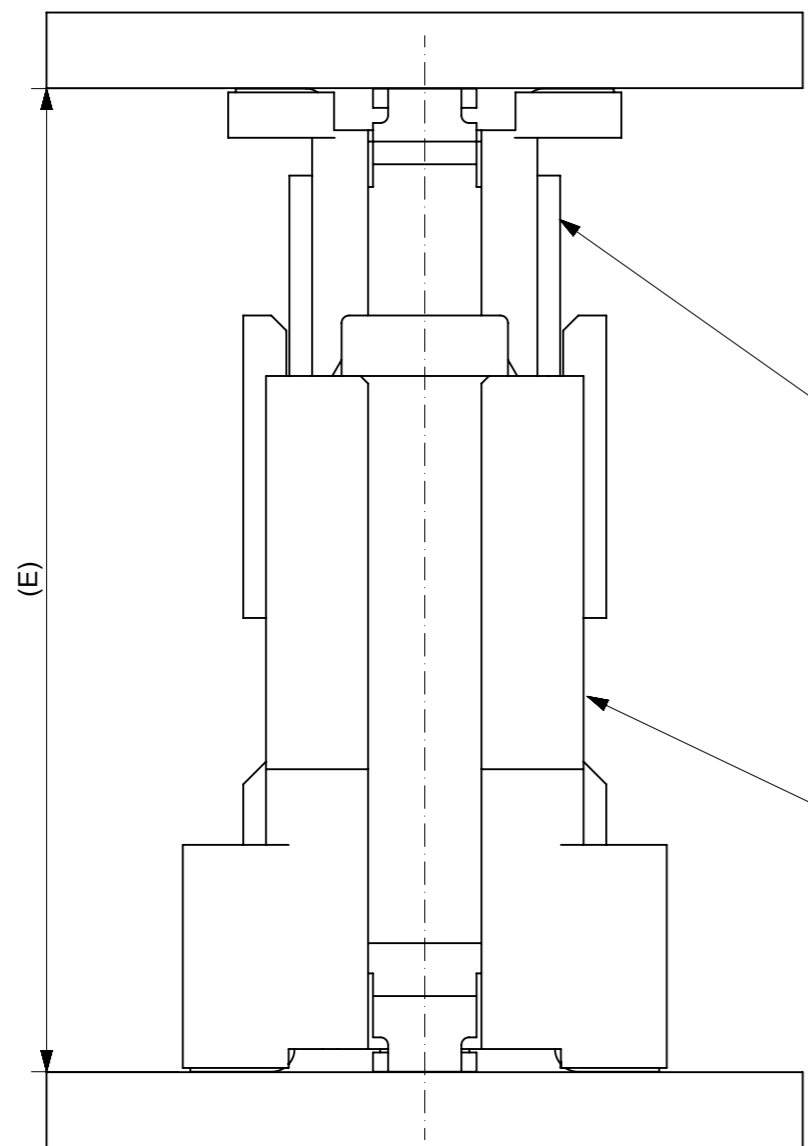
2.メッキ仕様
PLATING

ターミナル TERMINAL
接点部 : 金メッキ 0.25µmMIN.
CONTACT AREA: GOLD 0.25µmMIN.
半田付け部 : 錫メッキ 1.0µmMIN.
SOLDER TAIL AREA: TIN 1.0µmMIN.
下地メッキ : ニッケルメッキ 1.5µmMIN.
UNDER-PLATING: NICKEL 1.5µmMIN.

フィッティングネール FITTING NAIL
錫メッキ 1.0µmMIN.
TIN 1.0µmMIN.
下地メッキ : ニッケルメッキ 1.0µmMIN.
UNDER-PLATING: NICKEL 1.0µmMIN.

無し WITHOUT	47.42	46.32	43.815	51.32	-	53649-1474	140
	34.72	33.62	31.115	38.62	53649-1074	-	100
	28.37	27.27	24.765	32.27	53649-0874	-	80
有り WITH	22.02	20.92	18.415	25.92	53649-0674	-	60
	15.67	14.57	12.065	19.57	53649-0474	-	40
	12.5	11.4	8.89	16.4	53649-0374	-	30
ハウジングロック HSG LOCK	D	C	B	A	エンボス梱包 EMBOSSED PACKAGE	スティック梱包 STICK PACKAGE	極数 CKT
						オーダー番号 ORDER NO.	

GENERAL TOLERANCES (UNLESS SPECIFIED)		THIS DRAWING CONTAINS INFORMATION THAT IS PROPRIETARY TO MOLEX ELECTRONIC TECHNOLOGIES, LLC AND SHOULD NOT BE USED WITHOUT WRITTEN PERMISSION		CURRENT REV DESC:				
10 UNDER	± 0.2	DIMENSION UNITS	SCALE	GENERAL TOLERANCES (UNLESS SPECIFIED)				
10 OVER 30 UNDER	± 0.25	mm	-	ANGULAR TOL ± 30°		PRODUCT CUSTOMER DRAWING		
30 OVER	± 0.3	GENERAL TOLERANCES (UNLESS SPECIFIED)		4 PLACES ± 0.2		DOCUMENT NUMBER		
ANGULAR ± 3°		ANGULAR TOL ± 0.2		3 PLACES ± 0.25		SD-53649-004		
DRAFT WHERE APPLICABLE MUST REMAIN WITHIN DIMENSIONS		ANGULAR TOL ± 0.3		2 PLACES ± 0.3		DOC TYPE DOC PART REVISION		
		ANGULAR TOL ± 0.25		1 PLACE ± 0.3		PSD 001 H		
		ANGULAR TOL ± 0.2		0 PLACES ± 0.3		MATERIAL NUMBER CUSTOMER SHEET NUMBER		
		DRAFT WHERE APPLICABLE MUST REMAIN WITHIN DIMENSIONS		THIRD ANGLE PROJECTION		SEE CHART GENERAL MARKET 1 OF 2		
		DRAFT WHERE APPLICABLE MUST REMAIN WITHIN DIMENSIONS		DRAWING				
		DRAFT WHERE APPLICABLE MUST REMAIN WITHIN DIMENSIONS		SERIES				
		DRAFT WHERE APPLICABLE MUST REMAIN WITHIN DIMENSIONS		B-SIZE				
		DRAFT WHERE APPLICABLE MUST REMAIN WITHIN DIMENSIONS		53649				



55091 series
53625 series
53647 series
53649 series
53627 series
Plug

52885 series
52901 series
Receptacle

嵌合高さ一覧 Stacking Height variation			
	6	52885 series	55091 series
	7		53625 series
	8		53647 series
○	9		53649 series
	10		53627 series
	12	52901 series	55091 series
	13		53625 series
	14		53647 series
○	15		53649 series
	16		53627 series
本図製品該当高さ Height Application	嵌合高さ E Stacking Height	リセプタクル Receptacle	プラグ Plug

GENERAL TOLERANCES (UNLESS SPECIFIED)		THIS DRAWING CONTAINS INFORMATION THAT IS PROPRIETARY TO MOLEX ELECTRONIC TECHNOLOGIES, LLC AND SHOULD NOT BE USED WITHOUT WRITTEN PERMISSION	
10 UNDER	± 0.2	DIMENSION UNITS	SCALE
10 OVER 30 UNDER	± 0.25	mm	-
30 OVER	± 0.3	CURRENT REV DESC:	
ANGULAR	± 3 °	EC NO: 603307	
DRAFT WHERE APPLICABLE MUST REMAIN WITHIN DIMENSIONS		DRWN: RMIYAMOTO 2018/08/21	
		CHK'D: KSASAKI 2018/08/24	
		APPR: RTAKEUCHI 2018/08/24	
		INITIAL REVISION:	
		DRWN: MNABEI 2004/03/04	
		APPR: MSASAO 2004/03/08	
		THIRD ANGLE PROJECTION	
		DRAWING	
		SERIES	
		MATERIAL NUMBER	
		CUSTOMER	
		SHEET NUMBER	
		A3-SIZE	
		53649	
		SEE CHART	
		GENERAL MARKET	
		2 OF 2	

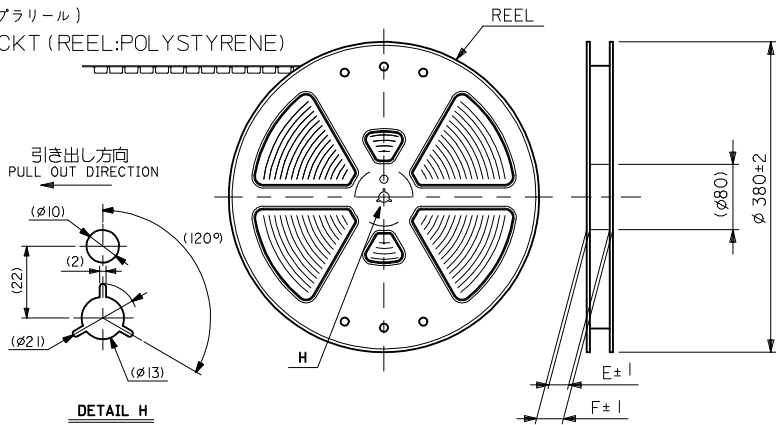
molex

0.635 B/B CONN.
PLUG HS'G COVER ASS'Y -LEAD FREE-

PRODUCT CUSTOMER DRAWING

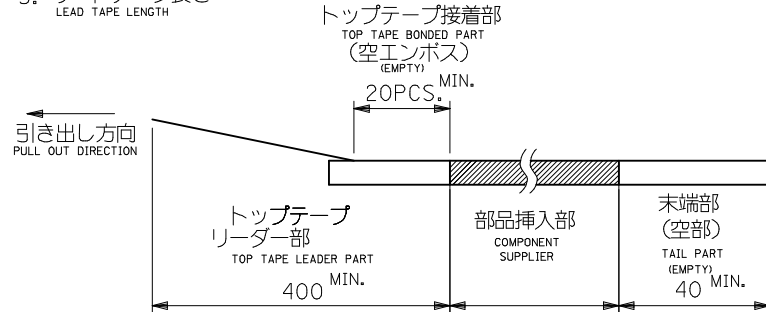
DOCUMENT NUMBER	DOC TYPE	DOC PART	REVISION
SD-53649-004	PSD	001	H

140極に対応(ブラリール)
FOR 140 CKT (REEL:POLYSTYRENE)



注)
NOTES

- 製品番号 53649-***72 の詳細寸法については、SD-53649-004 を参照下さい。
IN THE PACKAGE , PART NO. 53649-***72 DETAILED DIMENSIONS , SEE SD-53649-004
- 梱包数量 : 760 個/リール
NUMBER OF CONNECTORS : 760 PCS/REEL
- リードテープ長さ
LEAD TAPE LENGTH



4. トップテープの剥離強度 (剥離方向は下図参照)

PEELING OFF FORCE OF TOP TAPE (PEELING DIRECTION AS SHOWN IN FOLLOWING FIG.)

0.1 - 1.3 N (30,40,60,80,100CKT)

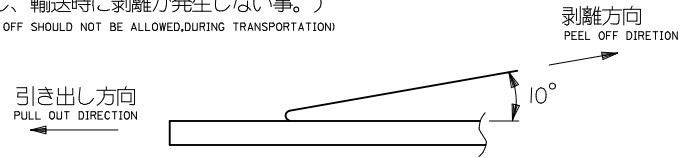
0.1 - 1.5 N (140CKT)

尚、本規格値は、出荷時に適用。

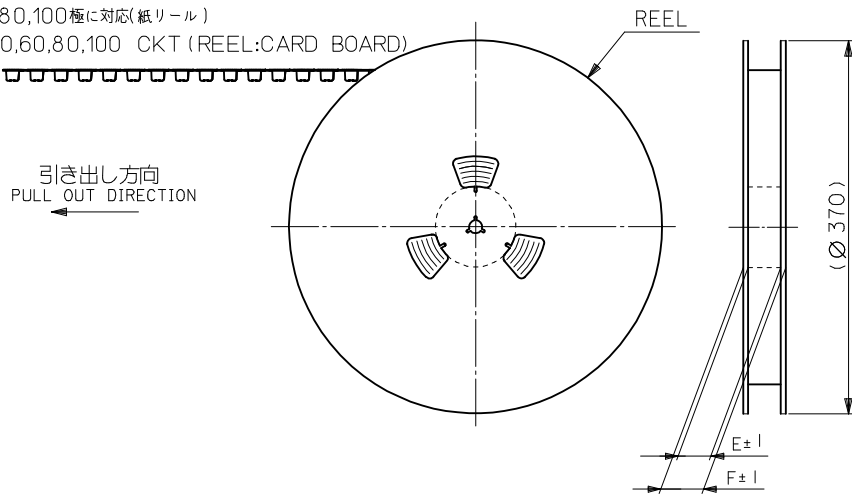
THIS REQUIREMENT SHOULD BE APPLIED AT SHIPMENT

(但し、輸送時に剥離が発生しない事。)

(PEEL OFF SHOULD NOT BE ALLOWED,DURING TRANSPORTATION)



30,40,60,80,100極に対応(紙リール)
FOR 30,40,60,80,100 CKT (REEL:CARD BOARD)



5. 材料

MATERIAL

キャリアテープ : ポリプロピレン (PP)

CARRIER TAPE : POLYPROPYLENE (PP)

トップテープ : PET, PE, PEF

TOP TAPE : PET, PE, P-F

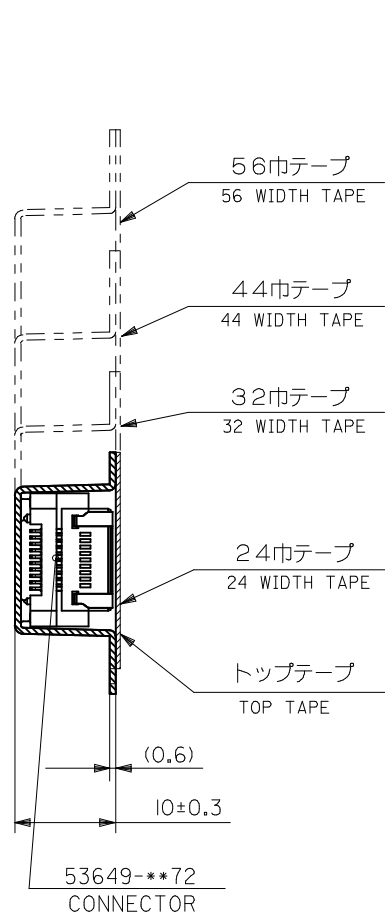
リール : 紙 (30,40,60,80,100極) ポリスチレン (140極)

REEL : CARDBOARD(FOR 30,40,60,80,100CKT) POLYSTYRENE(140CKT)

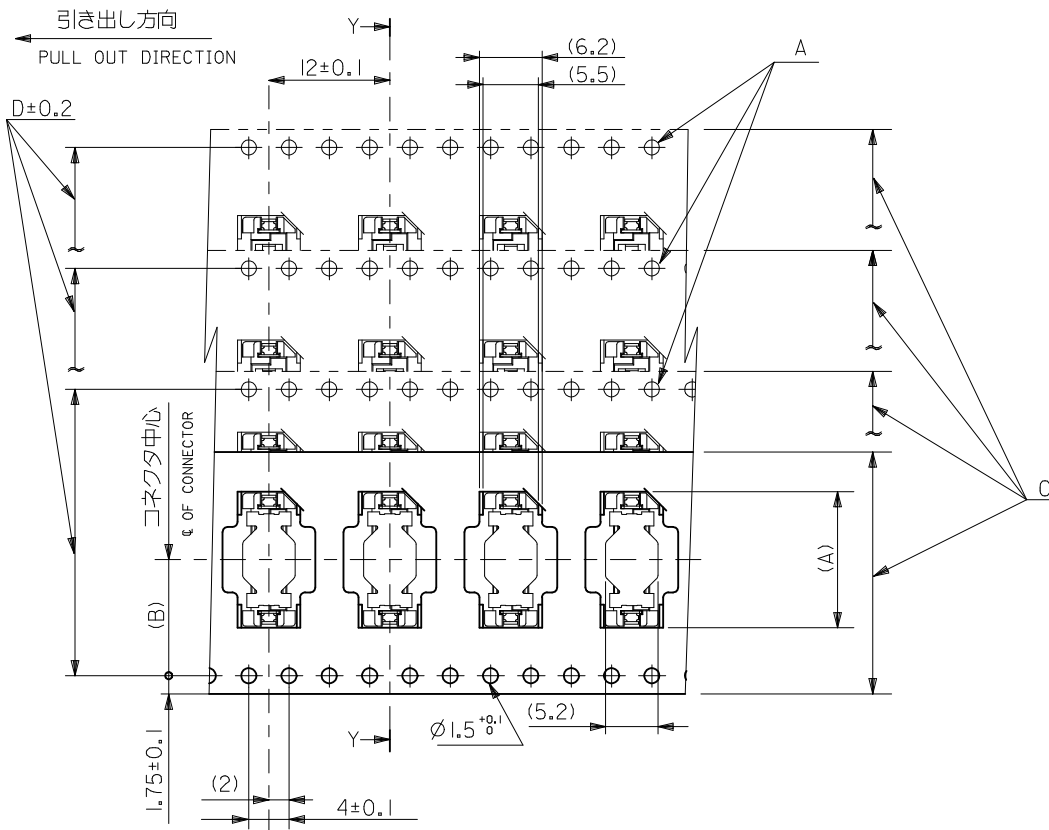
6. 本製品は 53649-***4 の鉛フリー品である。

THIS PRODUCT IS LEAD FREE OF 53649-***4

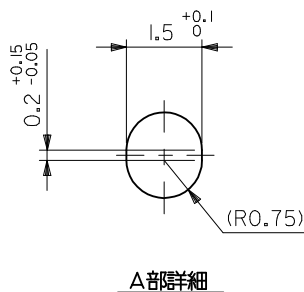
REVISED EC NO.: J2013-1013 2013/03/14 DRWK:TOYODA 2013/03/15 CHKD:TASAKAWA 2013/03/27 APPR:MSASAO	DESCRIPTION 10 UNDER 10 OVER 30 UNDER 30 OVER ANGULAR ±--- ° DRAFT WHERE APPLICABLE MUST REMAIN WITHIN DIMENSIONS	GENERAL TOLERANCES (UNLESS SPECIFIED)		DIMENSION STYLE MM ONLY		SCALE ---	DESIGN UNITS METRIC	THIRD ANGLE PROJECTION	
		10 UNDER	± ---	DRAWN BY M. NABEI	DATE '04/02/25	TITLE EMBOSSED TAPE PACKAGE FOR 53649-***72 -LEAD FREE-			
		10 OVER 30 UNDER	± ---	CHECKED BY K. TOJO	DATE '04/02/25				
		30 OVER	± ---	APPROVED BY M. SASAO	DATE '04/02/25				
REV		MATERIAL NO. SEE CHART		DOCUMENT NO. SD-53649-005		SHEET NO. 1 OF 2			
		SIZE A3 THIS DRAWING CONTAINS INFORMATION THAT IS PROPRIETARY TO MOLEX INCORPORATED AND SHOULD NOT BE USED WITHOUT WRITTEN PERMISSION							



断面 Y-Y
SECTION Y-Y



累積ピッチ : 40±0.2
ACCUMULATIVE
PITCH : 40±0.2



A部詳細

78.1	73.5	68.4	72 ^{+0.3}	34.2	51.6	53649-1474	140	
61.4	57.4	52.4	56 ^{+0.3}	26.2	38.9	53649-1074	100	
49.4	45.4	40.4	44 ^{+0.3}	20.2	32.6	53649-0874	80	
37.4	33.4	28.4	32 ^{+0.3}	14.2	26.2	53649-0674	60	
29.4	25.4	#	24 ^{+0.3}	11.5	19.9	53649-0474	40	
F	E	D	C	キャリアテープ幅 CARRIER TAPE WIDTH	(B)	(A)	MATERIAL NO.	極数 NO. OF CXTS.

MODEL NO. 53649-**-74

REVISED EC NO.: J2013-1013 2013/03/14 DRW:KTOYODA 2013/03/14 CHK:D.TASAKAWA 2013/03/27 APPR:MSASAO	GENERAL TOLERANCES (UNLESS SPECIFIED)		DIMENSION STYLE MM ONLY		SCALE ---	DESIGN UNITS METRIC		THIRD ANGLE PROJECTION	
	10 UNDER ± ---	10 OVER 30 UNDER ± ---	30 OVER ± ---	DRAWN BY M. NABEI	DATE '04/02/25	TITLE EMBOSSED TAPE PACKAGE FOR 53649-**-72 -LEAD FREE-			
	ANGULAR ± --- °			CHECKED BY K. TOJO	DATE '04/02/25	molex			
	DRAFT WHERE APPLICABLE MUST REMAIN WITHIN DIMENSIONS			APPROVED BY M. SASAO	DATE '04/02/25				

SEE CHART
 THIS DRAWING CONTAINS INFORMATION THAT IS PROPRIETARY TO MOLEX
 INCORPORATED AND SHOULD NOT BE USED WITHOUT WRITTEN PERMISSION