

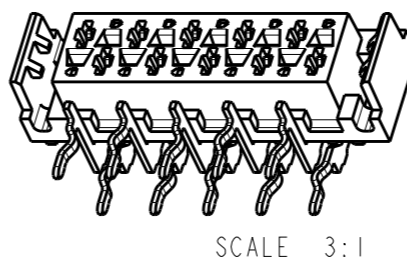
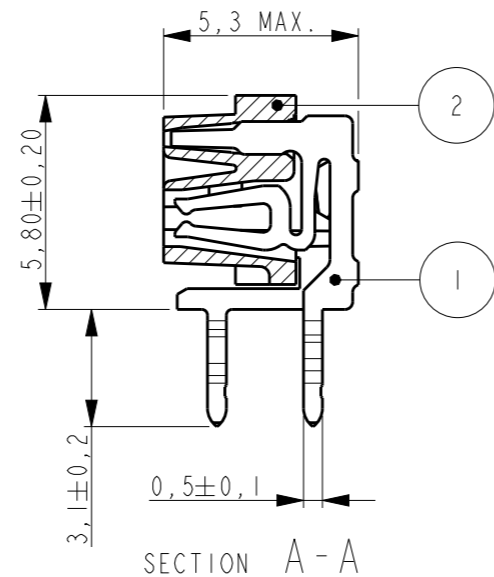
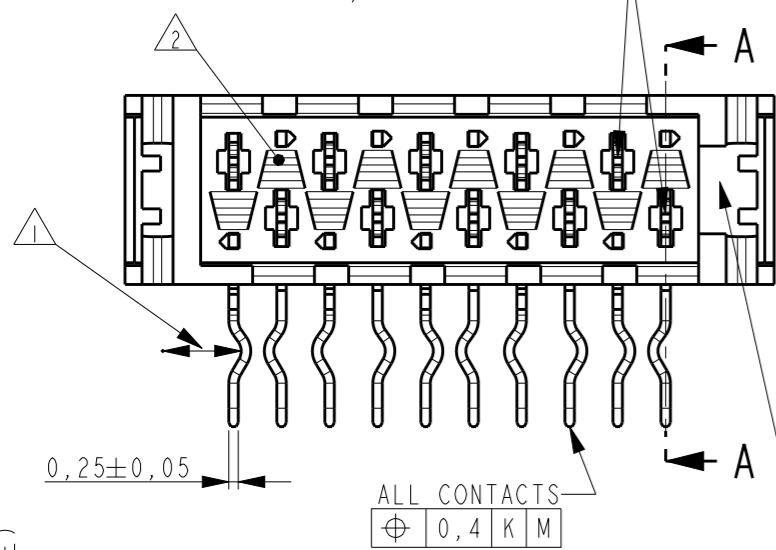
THIS DRAWING IS UNPUBLISHED. RELEASED FOR PUBLICATION 20
COPYRIGHT 20 Y ALL RIGHTS RESERVED.

LOC H DIST -

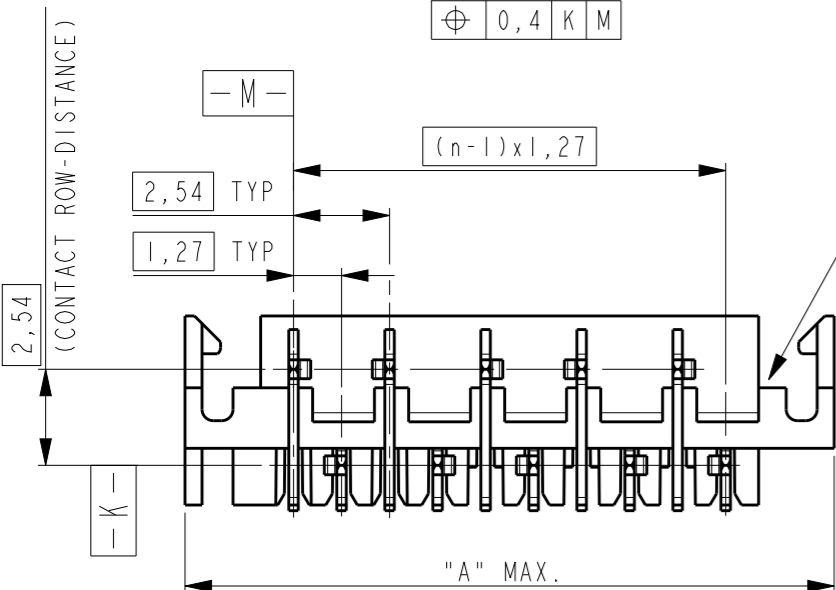
REVISIONS

| P | LTR | DESCRIPTION | DATE | DWN | APVD |
|---|-----|--|-----------|-----|------|
| | G1 | Adhesive tape width changed back to 6 mm | 05FEB2016 | SS | PS |

REFERENCE MATING INTERFACE PATTERN:
1,27 STAGGERED PITCH x 1,5 ROW-DISTANCE.



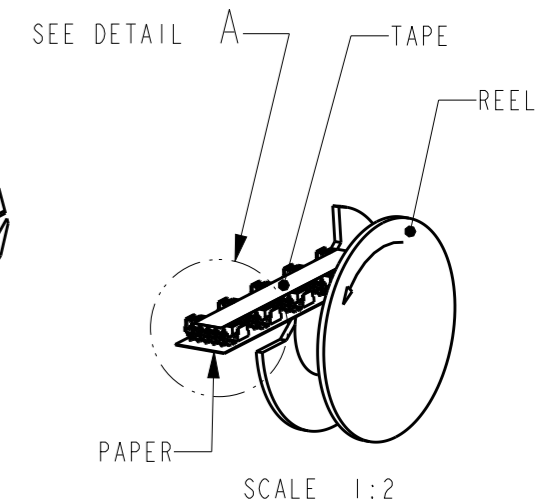
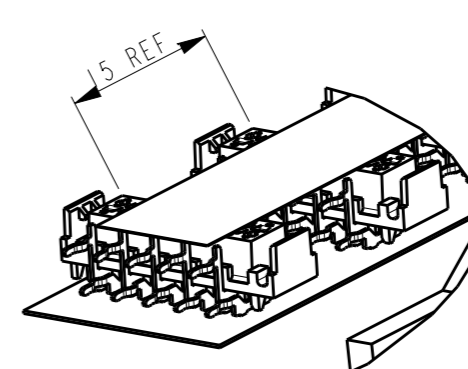
| PART NUMBER | NR. OF POS "n" | "A" MAX |
|-------------|----------------|---------|
| 338070-4 | 4 | 9,7 |
| 338070-6 | 6 | 12,2 |
| 338070-8 | 8 | 14,7 |
| 1-338070-0 | 10 | 17,3 |
| 1-338070-2 | 12 | 19,8 |
| 1-338070-4 | 14 | 22,4 |
| 1-338070-6 | 16 | 24,9 |
| 1-338070-8 | 18 | 27,4 |
| 2-338070-0 | 20 | 30,0 |



POLARISATION SLOT

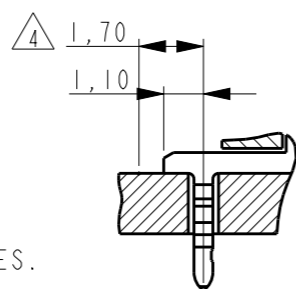
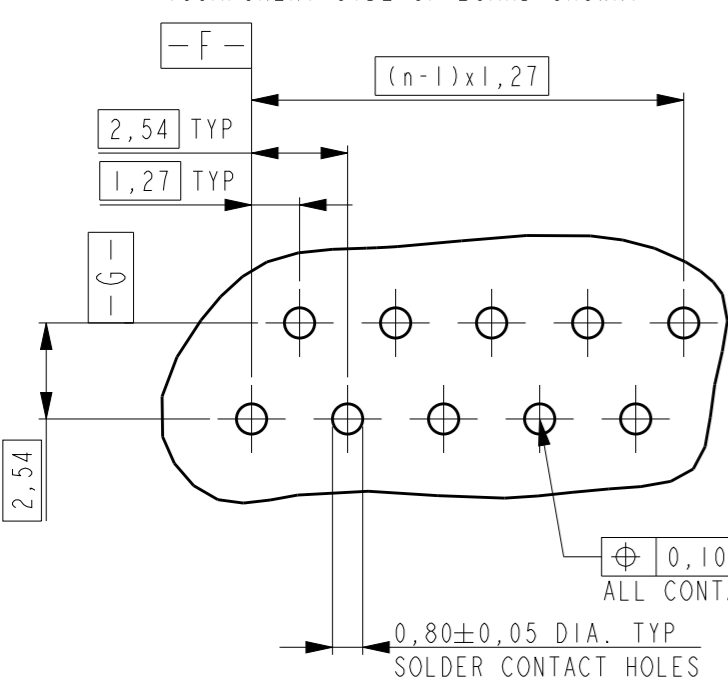
NOTES:

- 1 IN EACH ROW, DIRECTION OF KINKS STARTS RANDOM.
IN EACH ROW, SEQUENTIAL CONTACTS HAVE OPPOSITE KINK DIRECTIONS.
- 2 CORING-OUTS FOR MANUFACTURING PURPOSE ONLY.
SHAPE MAY VARY, BUT IS NOT FUNCTIONAL FOR THE APPLICATION.
- 3 SHOWN IS A 10 POSITION CONNECTOR.
- 4 THIS AREA IS RESERVED FOR CONTACTS.



REEL PACKAGING
DEREELING DIRECTION AND CONNECTOR POSITION.
QUANTITY 2500 CONNECTORS PER REEL FOR ALL PART NUMBER,

PC-BOARD HOLE LAYOUT
(COMPONENT SIDE OF BOARD SHOWN)



THIS DRAWING IS A CONTROLLED DOCUMENT.

| DIMENSIONS: | TOLERANCES UNLESS OTHERWISE SPECIFIED: |
|-------------|--|
| mm | |
| 0 PLC | ±- |
| 1 PLC | ±- |
| 2 PLC | ±- |
| 3 PLC | ±- |
| 4 PLC | ±- |
| ANGLES | ±1° |
| MATERIAL | FINISH |

| | | | |
|------------------|----------------|--------------------|---------------------|
| 2 | HOUSING | G.F. POLYESTER PBT | RED |
| 1 | FEMALE CONTACT | PHOSPHOR BRONZE | TIN OVER NICKEL |
| ITEM NO. | DESCRIPTION | MATERIAL | FINISH / COLOR |
| DWN 03-JUN-96 | DENNIS KESSLER | | |
| CHK | HUUB VAN DELFT | | |
| APVD | ERIC IJLJENS | | |
| PRODUCT SPEC | 108-19052 | | |
| APPLICATION SPEC | | | |
| WEIGHT | | | |
| Customer Drawing | | SCALE 5:1 | SHEET 1 OF 1 REV G1 |

STE TE Connectivity

CONNECTOR, FEMALE-ON-BOARD,
SIDE-ENTRY, THRU-HOLE,
WITH LATCHES, Micro-MatCh

| SIZE | CAGE CODE | DRAWING NO | RESTRICTED TO |
|------|-----------|------------|---------------|
| A3 | 00779 | C-338070 | - |

Mouser Electronics

Authorized Distributor

Click to View Pricing, Inventory, Delivery & Lifecycle Information:

[TE Connectivity:](#)

[338070-8](#)