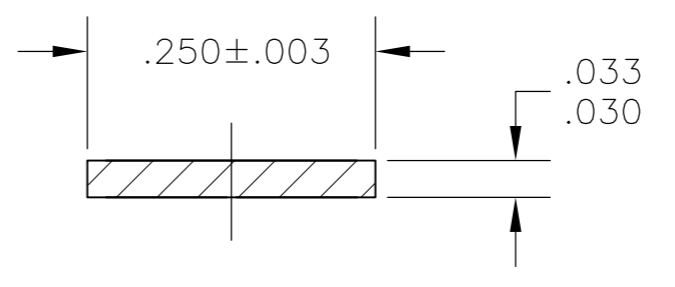
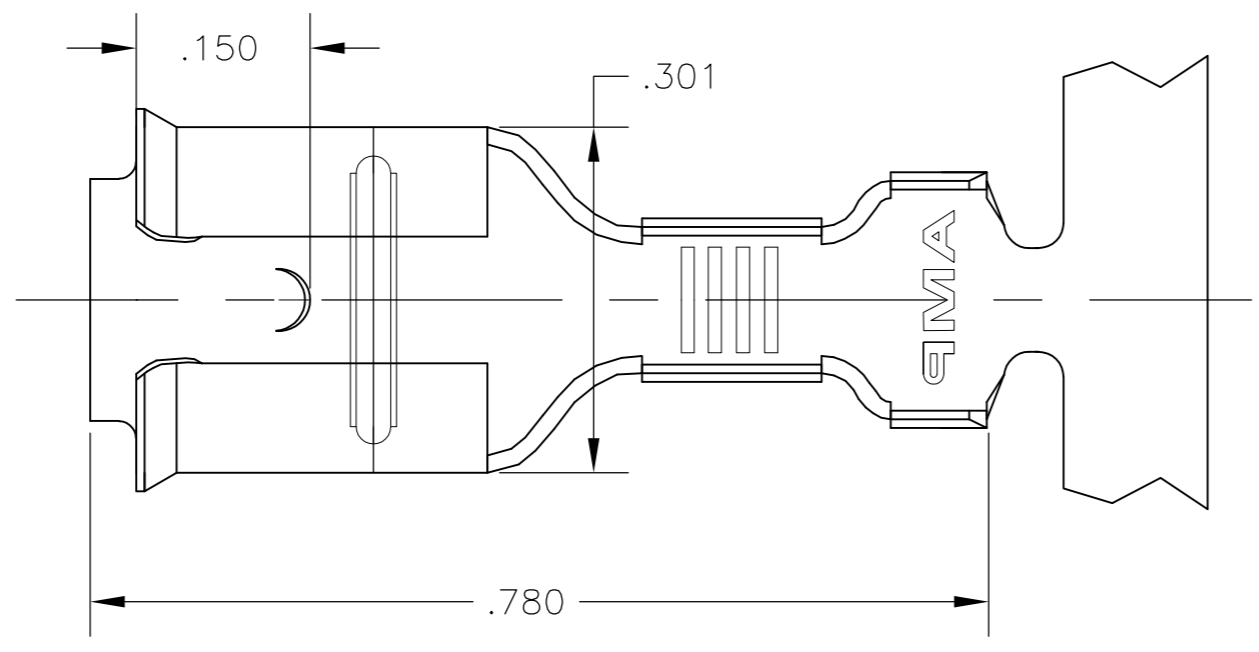


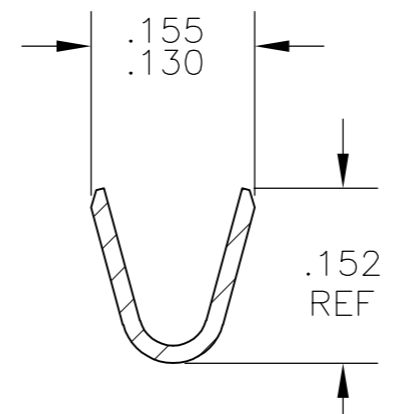
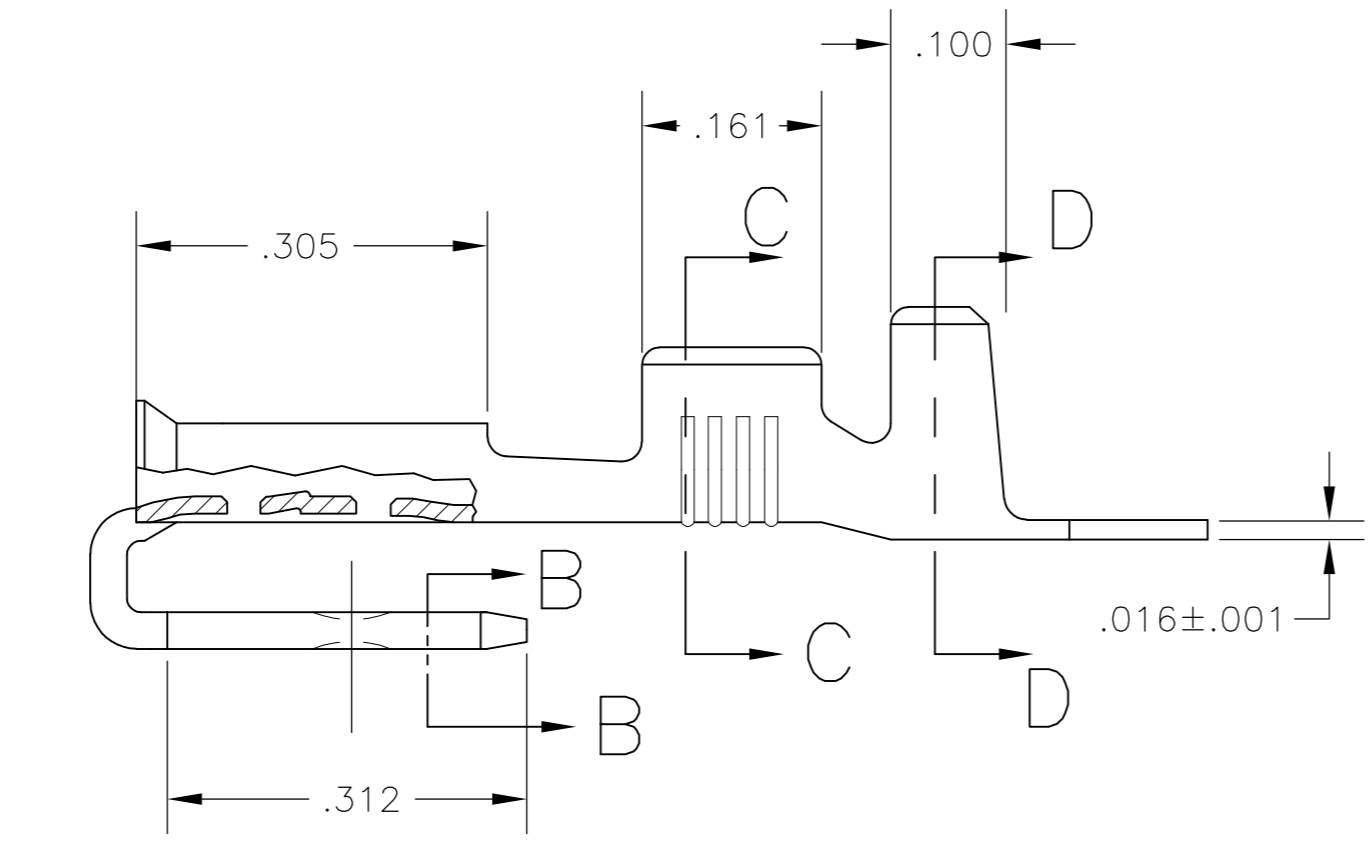
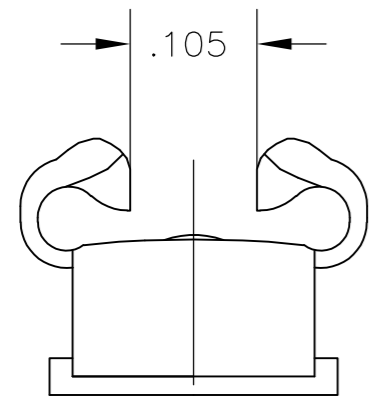
THIS DRAWING IS UNPUBLISHED. RELEASED FOR PUBLICATION
 © COPYRIGHT - By - ALL RIGHTS RESERVED.

LOC		DIST		REVISIONS			
P	LTR	DESCRIPTION		DATE	DWN	APVD	
AF	50	J	REVISED PER ECR-12-013459	27NOV2012	KH	PD	

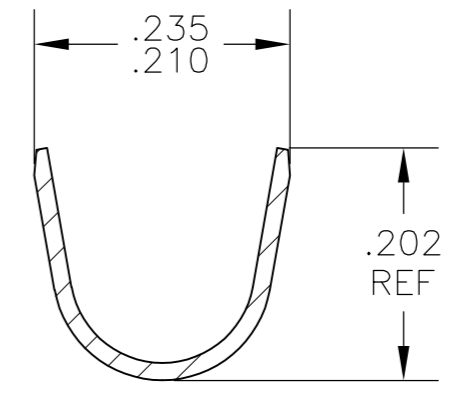
- CONTINUOUS STRIP ON REELS
- MATING TAB THK IS $.032 \pm .001$.
- WIRE SIZE IS #18-#14 AWG
CRIMP WIDTH IS .110, F TYPE
- INSULATION RANGE IS .120-.170 DIA.
CRIMP WIDTH IS .180, F TYPE



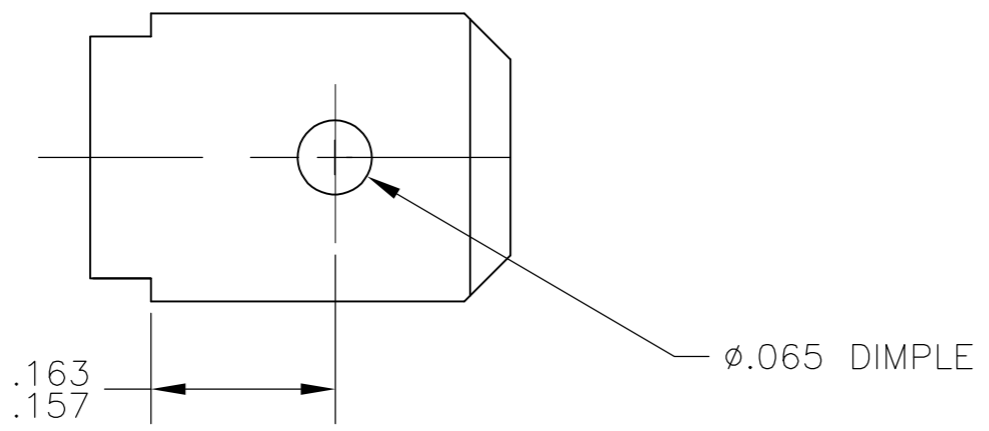
SECTION B-B



SECTION C-C



SECTION D-D



BRASS / TIN	62109-2
BRASS / PLAIN	62109-1
MATL. / FINISH	PART NO.

THIS DRAWING IS A CONTROLLED DOCUMENT.		DWN	JR RUTH	29JUL02		TE Connectivity																		
DIMENSIONS: INCHES		CHK	P DESANTIS	29JUL02		NAME																		
TOLERANCES UNLESS OTHERWISE SPECIFIED:		APVD	P DESANTIS	29JUL02		PRODUCT SPEC																		
<table border="1"> <tr><td>0 PLC</td><td>±</td><td>-</td></tr> <tr><td>1 PLC</td><td>±</td><td>-</td></tr> <tr><td>2 PLC</td><td>±</td><td>-</td></tr> <tr><td>3 PLC</td><td>±</td><td>.015</td></tr> <tr><td>4 PLC</td><td>±</td><td>-</td></tr> <tr><td>ANGLES</td><td>±</td><td>-</td></tr> </table>		0 PLC	±	-		1 PLC	±	-	2 PLC	±	-	3 PLC	±	.015	4 PLC	±	-	ANGLES	±	-	APPLICATION SPEC		114-2082	
0 PLC	±	-																						
1 PLC	±	-																						
2 PLC	±	-																						
3 PLC	±	.015																						
4 PLC	±	-																						
ANGLES	±	-																						
MATERIAL: SEE TABLE		WEIGHT: -		SIZE: A2		CAGE CODE: 00779	DRAWING NO: C-62109	RESTRICTED TO: -																
FINISH: SEE TABLE		CUSTOMER DRAWING		SCALE: 6:1	SHEET: 1 of 1	REV: J																		

Mouser Electronics

Authorized Distributor

Click to View Pricing, Inventory, Delivery & Lifecycle Information:

[TE Connectivity:](#)

[62109-1](#)