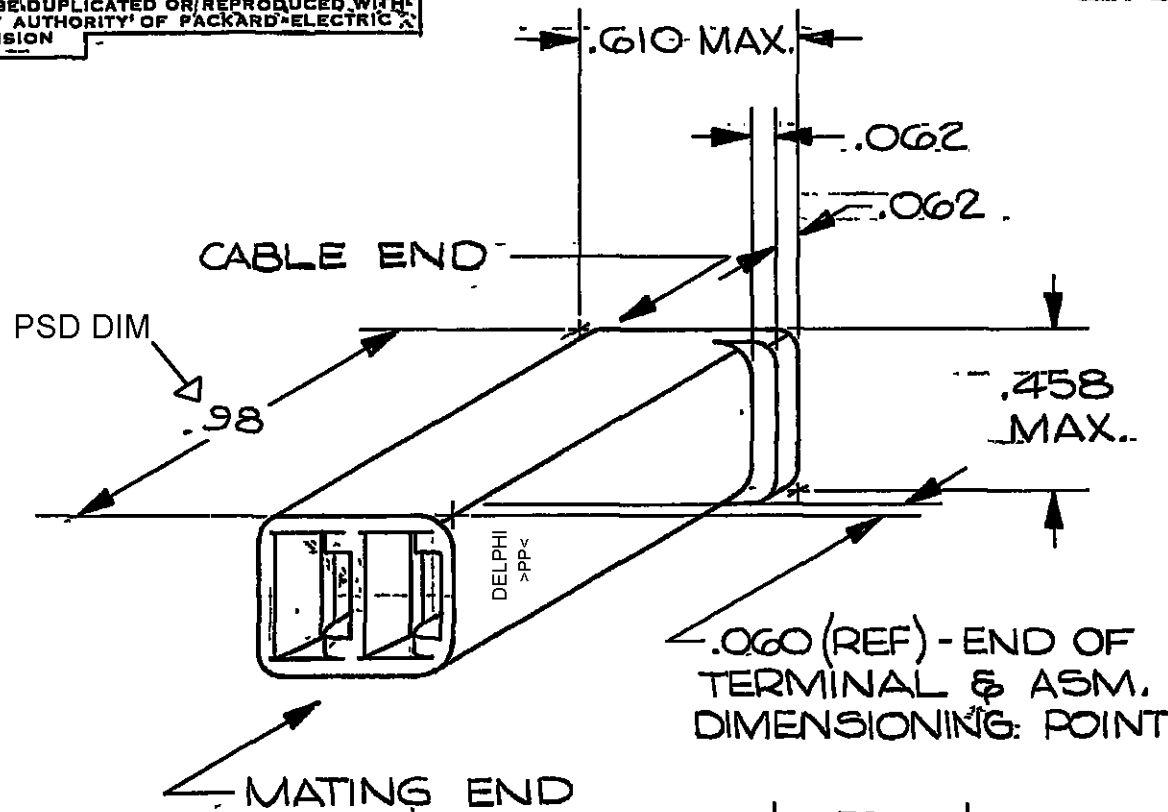


PACKARD ELECTRIC DIVISION
GENERAL MOTORS CORPORATION
WARREN, OHIO

99
 304
 PEB-A
 634R
 74R
 3-30R
 3-50R
 374-3R
 552R
 1174R
 1374R
 1476R
 311R

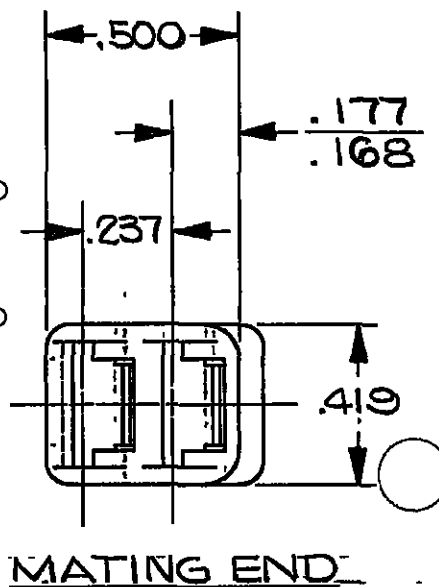
DO NOT SCALE

THIS DRAWING AND DESIGN HEREON CONSTITUTES A PROPRIETARY DESIGN OF PACKARD ELECTRIC DIVISION AND IS NOT TO BE DUPLICATED OR REPRODUCED WITHOUT AUTHORITY OF PACKARD ELECTRIC DIVISION



NOTES

- (2.3) X (0.1) RAISED DELPHI CORPORATE BRAND TO BE LOCATED ON ANY EXTERIOR SURFACE, PREFERABLY VISIBLE AT FINAL ASSEMBLY. OPTIONAL CONSTRUCTION TO BE "PED" OR NO LOGO
- MATERIAL RECYCLING CODE >PP< PER SAE J1344. (2.3) X (0.1) RAISED CHARACTERS AS SHOWN TO BE LOCATED ON ANY EXTERIOR SURFACE. OPTIONAL CONSTRUCTION TO BE NO MATERIAL RECYCLING CODE.



PART NO.

6288186

DATE	SYM	REVISION RECORD	C/N NO.
6-4-65	A	.500 WAS .504	20699
02 FE 79	-	REF. NO. WAS	
		6288186 "C" SIZE	68364
12 FE 81	-	REF. NO. WAS 12010896	75616
04 SE 02	A3	MAT'L SPEC WAS R-67550 & ADDED NOTES (2 PLCS)	229971
01 MR 10	A4	UPDATED MAT'L CALLOUT	410158

CODE NO. **6900**

TOLERANCE UNLESS OTHERWISE SPECIFIED
 DECIMAL 3 PLC, ±, .005
 FRACTIONAL 2 PLC, ±, 01
 ANGULAR ±

DWG. DATE **4-6-65**

SCALE **NONE**

DR. **R. Paris**

ROUTING DEPT. OUTST.

CK. **List 4-7**

REFERENCE

6288186 "D" SIZE

APPR.

APPR. **July 4-7**

MATERIAL SPEC.

POLYPROPYLENE COMPOUND BLACK

CODE NO.

NAME

CONN 2F 56 SER

PART NO.

6288186

SIZE

A

OUTLINE DWG.

Mouser Electronics

Authorized Distributor

Click to View Pricing, Inventory, Delivery & Lifecycle Information:

[Aptiv:](#)

[06288186](#)