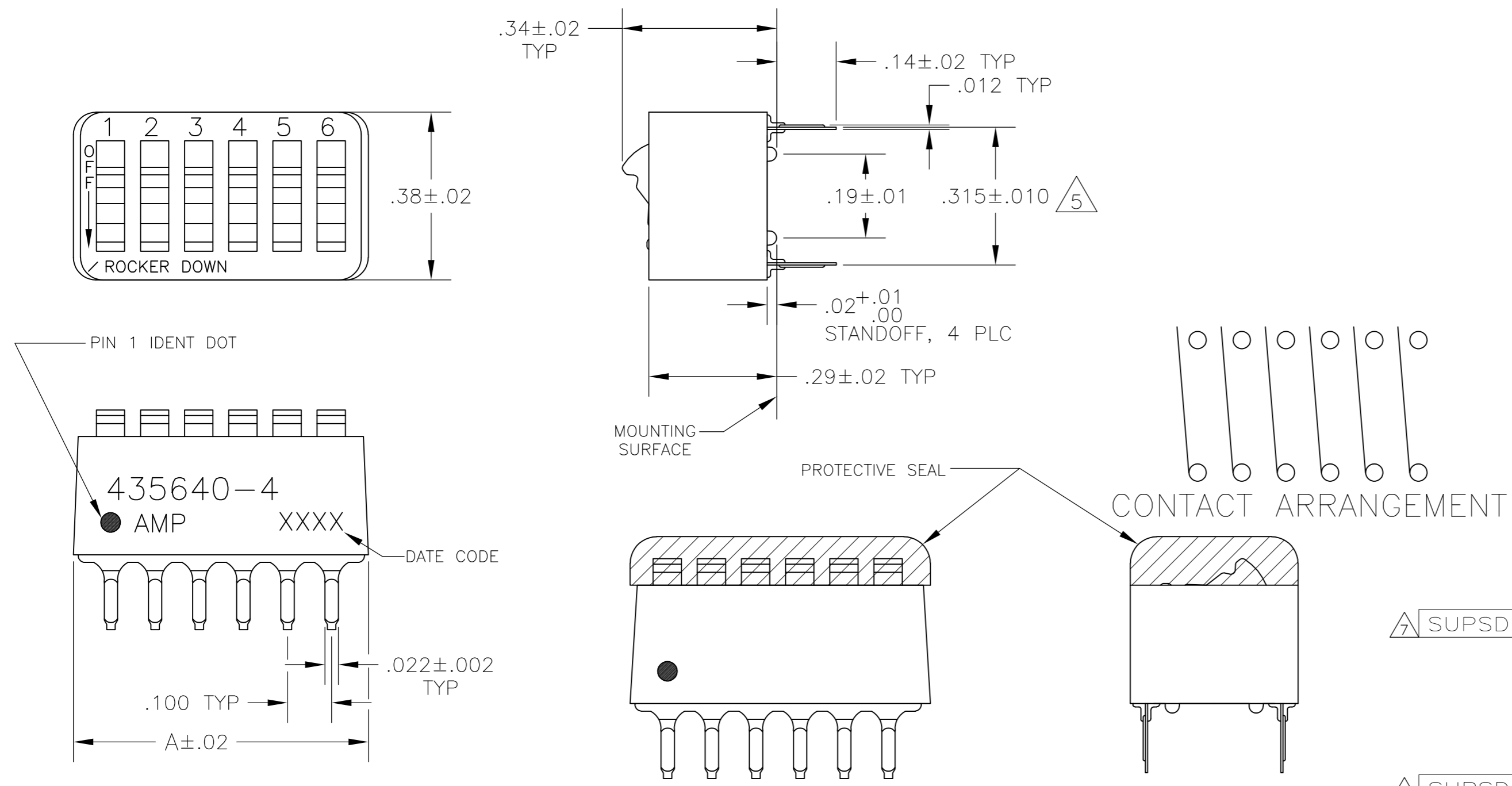


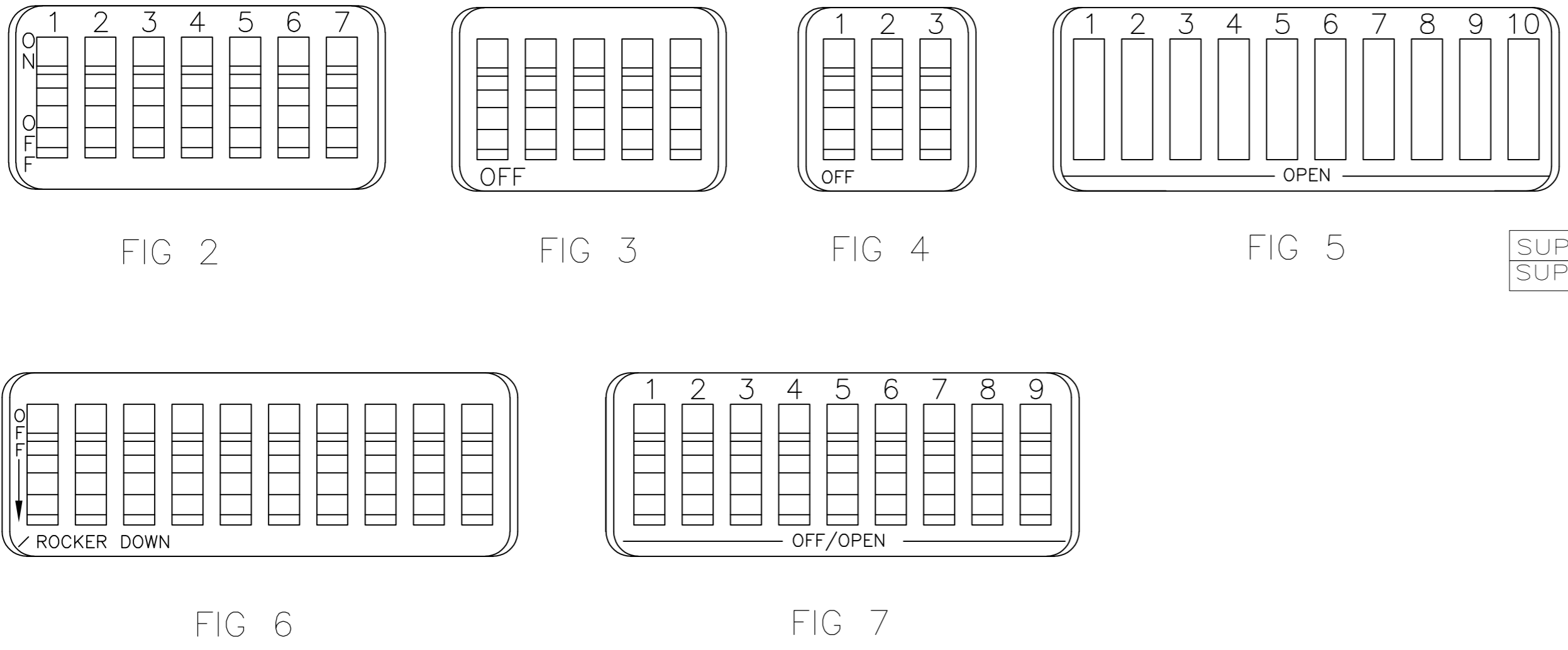
THIS DRAWING IS UNPUBLISHED. RELEASED FOR PUBLICATION. ALL RIGHTS RESERVED.

| LOC | DIST | REVISIONS | | | | | |
|-----|------|-----------|-----|---------------------------|---------|-----|------|
| AD | 00 | P | LTR | DESCRIPTION | DATE | DWN | APVD |
| | | AM3 | | REVISED PER ECO-11-004587 | 11MAR11 | RK | HMR |



- FOR ADDITIONAL SPECIFICATIONS SEE AMP PRODUCT SPEC 108-7532.
 - SWITCH SHOWN IN OPEN POSITION.
 - ALL CHARACTERS AND ROCKERS ARE WHITE, HOUSING IS BLUE.
 - STAMPING WILL VARY ON 2 AND 3 POSITION SIDES DUE TO SPACE RESTRICTIONS.
- 5 .315 DIMENSION APPLIES AT TERMINAL TIPS. TERMINALS ARE .300+.010-.000 AT MOUNTING SURFACE.
- 6 STRIPPABLE TRANSPARENT SEAL, SEE FIG 1.

| FIG | DESCRIPTION | NO OF POSN | NO OF POSN | PART NO. |
|-----|-------------|------------|------------|------------|
| 7 | OBSOLETE | 10 | 10 | 6-435640-1 |
| | | 5 | 5 | 6-435640-0 |
| | | 4 | 4 | 5-435640-9 |
| | | 8 | 8 | 5-435640-8 |
| | | 9 | 9 | 5-435640-7 |
| | | 6 | 6 | 5-435640-6 |
| | | 5 | 5 | 5-435640-5 |
| | | 4 | 4 | 5-435640-4 |
| | | 8 | 8 | 5-435640-3 |
| | | 8 | 8 | 5-435640-2 |
| | | 10 | 10 | 5-435640-1 |
| | | 8 | 8 | 5-435640-0 |
| | | 8 | 8 | 4-435640-9 |
| | | 5 | 5 | 4-435640-8 |
| | | 10 | 10 | 4-435640-7 |
| | | 12 | 12 | 4-435640-3 |
| | | 10 | 10 | 4-435640-1 |
| | | 9 | 9 | 4-435640-0 |
| | | 8 | 8 | 3-435640-9 |
| | | 7 | 7 | 3-435640-8 |
| | | 6 | 6 | 3-435640-7 |
| | | 5 | 5 | 3-435640-6 |
| | | 4 | 4 | 3-435640-5 |
| | | 3 | 3 | 3-435640-4 |
| | | 2 | 2 | 3-435640-3 |
| | | 12 | 12 | 3-435640-2 |
| | | 3 | 3 | 3-435640-0 |
| | | 2 | 2 | 2-435640-9 |
| | | 7 | 7 | 2-435640-2 |
| | | 10 | 10 | 435640-7 |
| | | 9 | 9 | 435640-6 |
| | | 8 | 8 | 435640-5 |
| | | 6 | 6 | 435640-4 |
| | | 5 | 5 | 435640-3 |
| | | 4 | 4 | 435640-2 |
| | | 7 | 7 | 435640-1 |



7 OBSOLETE PARTS: OBSOLETE CIS STREAMLINING PER D.RENAUD/D.SINISI

| | | | |
|---|--|------------------------|---|
| THIS DRAWING IS A CONTROLLED DOCUMENT. | | DWN R.TALLEY 15NOV89 | TE Connectivity |
| DIMENSIONS: INCHES | | CHK R.L.MILLER 06MARGO | |
| TOLERANCES UNLESS OTHERWISE SPECIFIED: | | APVD H.LEITER 06MARGO | |
| 0 PLC ± - 1 PLC ± - 2 PLC ± - 3 PLC ± .005 4 PLC ± - ANGLES ± - | | NAME | |
| MATERIAL: HOUSING & ROCKERS; POLYESTER CONTACTS; COPPER ALLOY | | PRODUCT SPEC | SWITCH ASSY, DIP, TYPE C, 7100 SERIES, SPST, STANDARD |
| FINISH: CONTACTS; PLATED .000030 MIN GOLD IN CONTACT AREA OVER .000050 MIN NICKEL | | APPLICATION SPEC | SIZE A2 |
| WEIGHT - | | WEIGHT - | CAGE CODE 00779 |
| CUSTOMER DRAWING | | SCALE 4:1 | DRAWING NO C=435640 |
| | | SHEET 1 of 1 | RESTRICTED TO - |
| | | REV AM3 | |

Mouser Electronics

Authorized Distributor

Click to View Pricing, Inventory, Delivery & Lifecycle Information:

[TE Connectivity:](#)

[4-435640-3](#)