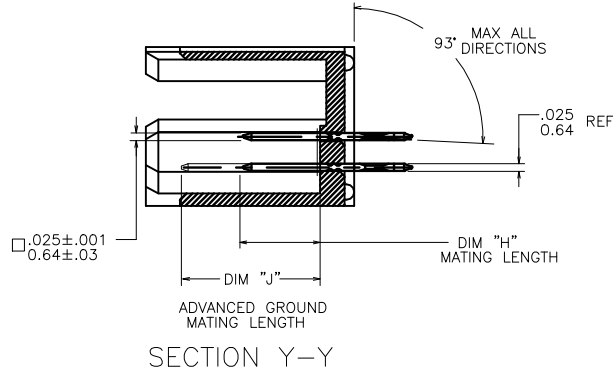
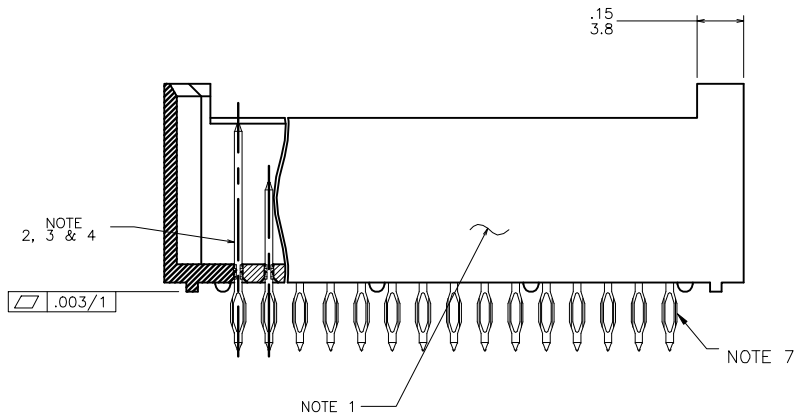
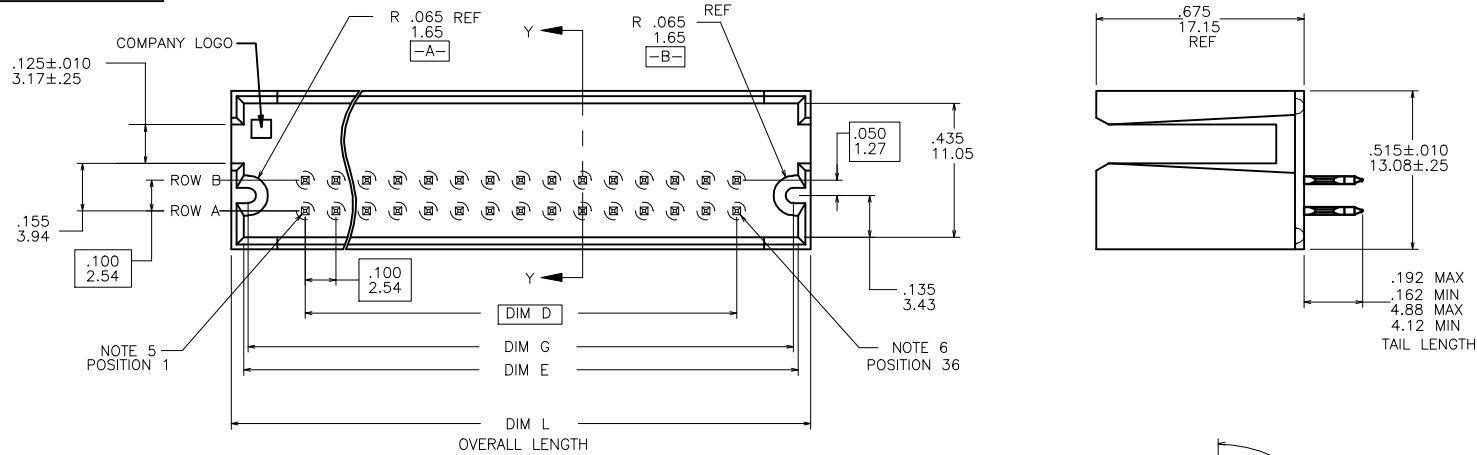


PRODUCT NUMBER
SEE TABLE



mat'l. code		surface ISO 1302		tolerance ISO 406 ISO 1101	projection	product family HEADER	
file		tolerances unless otherwise specified		INCH/MM		2 ROW GUIDE PIN HEADER, VERT (SLOTTED) SGL PIN ADVAN. GND.	
lir	ecm no	dr	date	linear	scale	dwg no	sheet 1 of 2 size
F	V70823	SAR	6/3/97	0°±2'	2:1	79839	A3
G	V01251	MDF	5/22/00				
H	V21028	RGD	6/10/02				
J	V03-0342	GJP	3/24/03	dr			
K	M05-0089	ERE	5/20/05	eng			
L	M07-0116	AGS	2/25/07	chr			
M	M09-0059	MHT	4/16/09	appd			
sheet	revision	M	M				
index	sheet	1	2				

Copyright FCJ
FCJconnect.com

PRODUCT NO. NOTE 8	SIZE	OVERALL LENGTH DIM L	DIM D	DIM E	DIM G	DIM H ±.010/0.25	DIM J ±.010/0.25	GROUND PIN LOCATION
79839-001	2 X 11	1.48/37.6	1.000/25.40	1.40/35.6	1.37/34.8	.260/6.60	.450/11.43	LEFT-POSITION A-1
79839-002	2 X 11	1.48/37.6	1.000/25.40	1.40/35.6	1.37/34.8	.260/6.60	.450/11.43	RIGHT-POSITION A-11
79839-101	2 X 11	1.48/37.6	1.000/25.40	1.40/35.6	1.37/34.8	.260/6.60	.450/11.43	POSITIONS A-1 & A-11
79839-102	2 X 11	1.48/37.6	1.000/25.40	1.40/35.6	1.37/34.8	.318/8.08	.450/11.43	POSITIONS A-1 & A-11
79839-103	2 X 48	5.18/131.5	4.700/119.38	5.10/129.5	5.07/128.7	.320/8.1	.410/10.41	POSITIONS A-1,2,3,46,47,48

NOTES:

- ① MOLDING MATERIAL: HI-TEMP RESIN
PER UL 94 V-O.
COLOR: NATURAL
- ② TERMINAL MATERIAL: 3/4 HARD PHOS BRONZE
UNS C5100.
- ③ TERMINAL PLATING: 30u"/.76u GXT OVER
50u"/1.27u Ni.
- ④ PIN RETENTION TO BE 3 LBS / 1.36 KG
MIN PER PIN IN EITHER DIRECTION.
- ⑤ LOCATION OF ADVANCED GROUND PIN ON -001 PART,
POSITION A-1.
- ⑥ LOCATION OF ADVANCED GROUND PIN ON -002 PART,
POSITION A-11.
- ⑦ PRESS FIT PINS - USE ON (-1XX) PARTS ONLY.
- ⑧ ADD "LF" SUFFIX AT THE END OF PART NUMBER FOR LEAD FREE OPTION.
- ⑨ THESE PRODUCT MEETS EUROPEAN UNION DIRECTIVES AND OTHER
COUNTRY REGULATION AS DESCRIBED IN GS-22-008.
10. THE PRODUCT IS NOT INTENDED TO BE EXPOSED TO A MANUFACTURING
SOLDER PROCESS.
- ⑩ PLATING OPTIONS:
MAY BE EITHER GOLD OR GXT PLATED AT MANUFACTURER'S OPTION.

mat'l. code		surface ISO 1302		tolerance ISO 406 ISO 1101		projection 		product family HEADER	
ltr	ecn no	dr	date	tolerances unless otherwise specified					
M				angles	linear	INCH/MM		title	
				0°±2'		scale 2:1		2 ROW GUIDE PIN HEADER, VERT (SLOTTED) SGL PIN ADVAN. GND.	
		dr	M. FETROW	11/21/94	dwg no				
		engr	L. FYE	11/21/94	sheet 2 of 2 size				
		chr	L. FYE	11/21/94	A3				
		appd	L. FYE	11/21/94	type Product Customer Drawing				
sheet	revision								
index	sheet								



Copyright FCJ

Mouser Electronics

Authorized Distributor

Click to View Pricing, Inventory, Delivery & Lifecycle Information:

[FCI / Amphenol:](#)

[75869-103LF](#) [75869-101LF](#) [75869-105LF](#) [75869-108](#) [75869-131LF](#) [75869-107LF](#) [75869-106](#) [75869-109](#) [75869-130](#) [75869-133](#) [75869-203](#) [75869-301](#) [75869-304](#) [75869-305](#) [75869-331](#) [75869-131](#) [75869-105](#) [75869-107](#) [75869-104](#) [75869-103](#) [75869-108LF](#) [79839-001](#) [79839-002](#) [75869-101RLF](#) [75869-104RLF](#) [75869-105RLF](#) [75869-209LF](#) [75869-210LF](#) [75869-330LF](#) [75869-132LF](#) [75869-104LF](#) [75869-102LF](#) [75869-106LF](#) [75869-109LF](#) [75869-110LF](#) [75869-114LF](#) [75869-130LF](#) [75869-133LF](#) [75869-201LF](#) [75869-202LF](#) [75869-203LF](#) [75869-204LF](#) [75869-205LF](#) [75869-206LF](#) [75869-207LF](#) [75869-208LF](#) [75869-230LF](#) [75869-231LF](#) [75869-232LF](#) [75869-233LF](#) [75869-301LF](#) [75869-302LF](#) [75869-303LF](#) [75869-304LF](#) [75869-305LF](#) [75869-306LF](#) [75869-307LF](#) [75869-308LF](#) [75869-309LF](#) [75869-310LF](#) [75869-318LF](#) [75869-331LF](#) [75869-332LF](#) [75869-333LF](#) [79839-001LF](#) [79839-002LF](#) [75869-101](#) [75869-102](#) [75869-132](#) [75869-118LF](#) [75869-128LF](#) [75869-119LF](#) [75869-360LF](#) [75869-162LF](#) [75869-326LF](#) [75869-320LF](#) [75869-142LF](#) [75869-165LF](#)