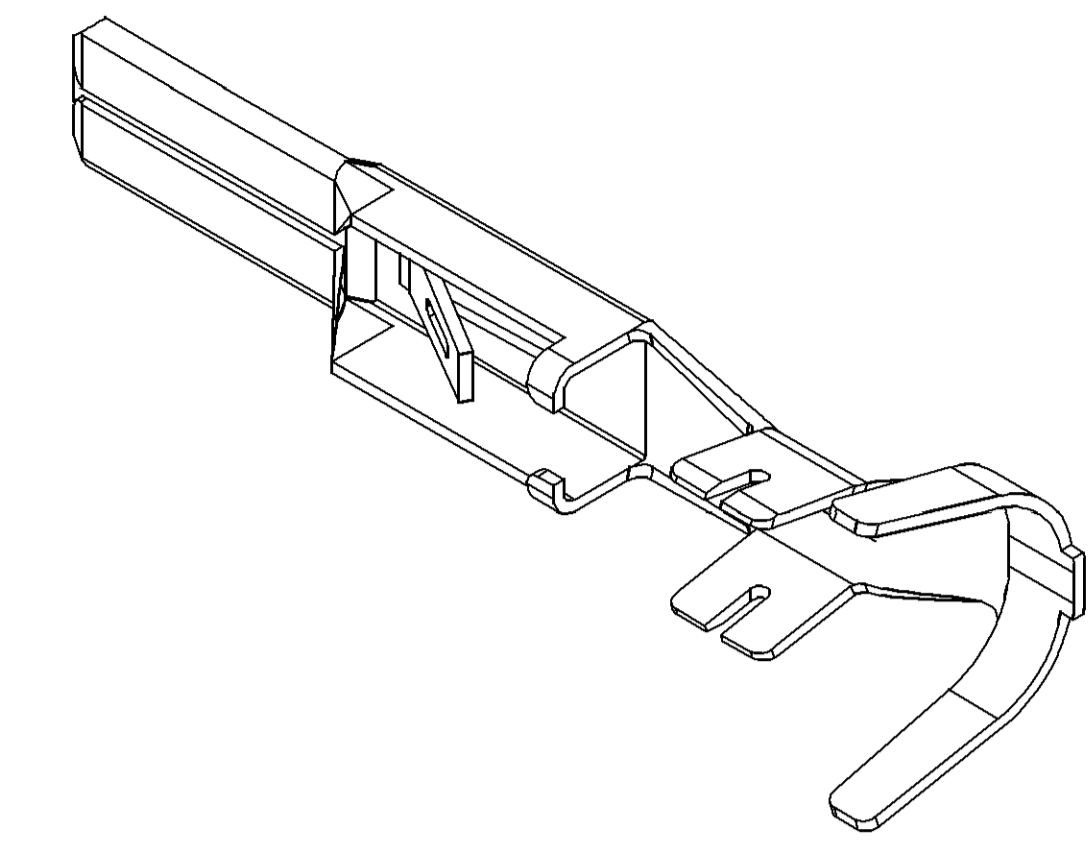
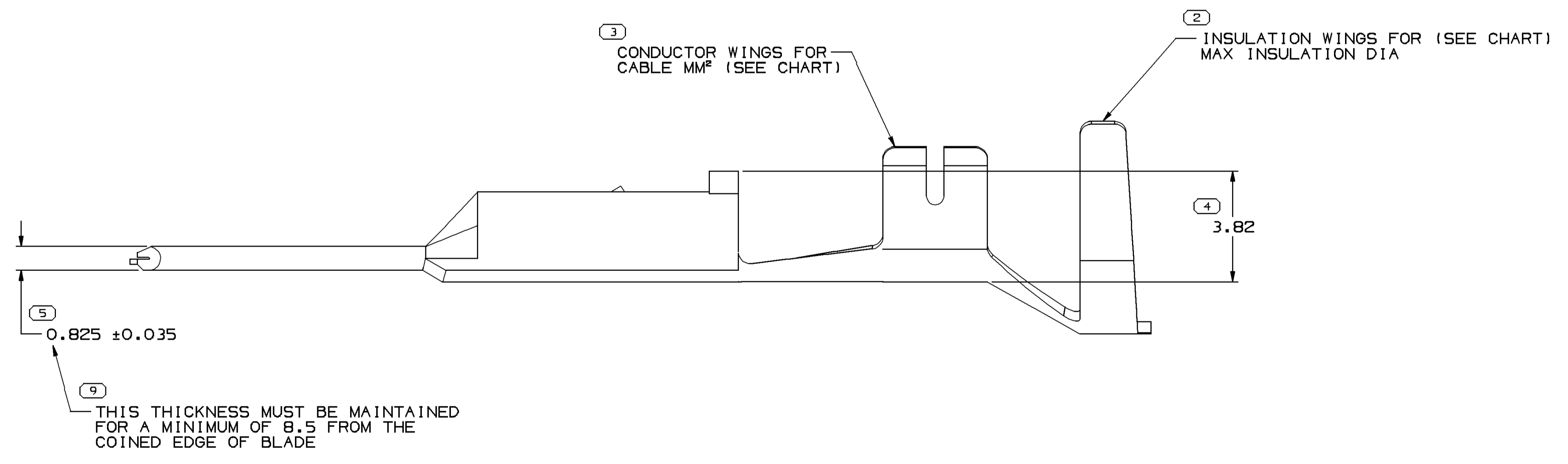
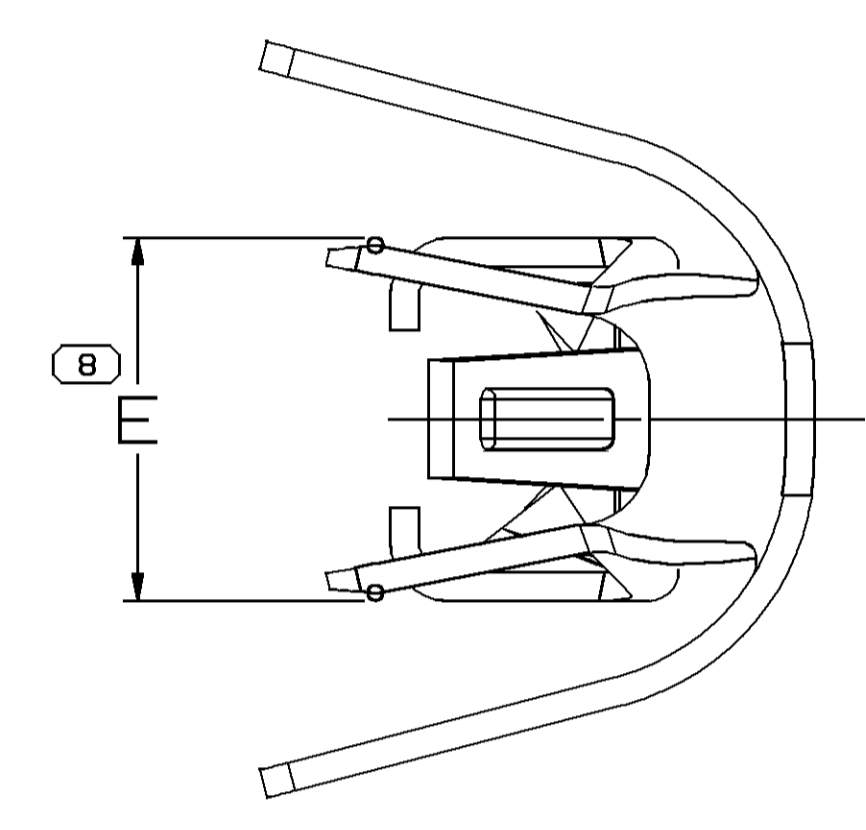
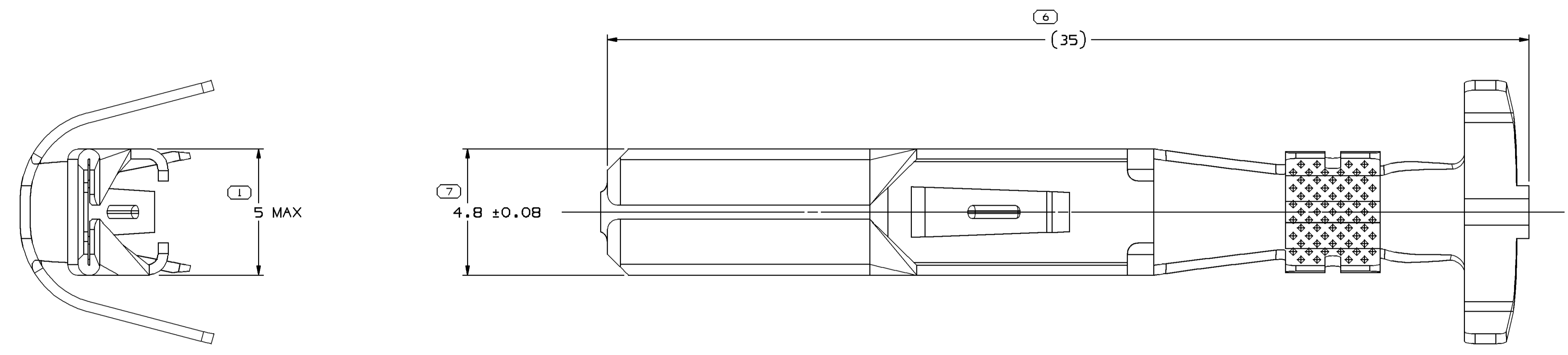


SYMBOL DEFINITION		MISSING NUMBERS		DWG STATUS		REVISION HISTORY		AUTH	
DATE	STG	REV	N/P	CHG	ZONE	DATE	STG	REV	N/P
23JAN02	R	02	-	-	-	ALL PARTS - UPDATED PDM ATTRIBUTES	219908	JTD	EAR
29JUL02	R	03	-	-	-	ALL PARTS - UPDATED PDM ATTRIBUTES	228503	EAR	EAR
04MY04	R	04	-	-	-	ALL PARTS - ADDED NOTE #3	254242	JBD	JAA
02JUN11	R	05	-	-	-	ALL PARTS - UPDATED PDM ATTRIBUTES	414389	JCF	JAA



VIEW SCALE DOES NOT REFLECT ACTUAL PART SIZE



- NOTES
- UNLESS OTHERWISE SPECIFIED AND/OR INDICATED:
DIMENSIONS ARE TO FACE OF VIEW SHOWN AND AUTOMATICALLY ROUNDED BY COMPUTER FOR INSPECTION (SEE MATH MODEL FOR PRECISE DIMENSIONS). FOR ALL OTHER DIMENSIONS NOT SHOWN BUT REQUIRED FOR TOOL BUILD, SEE MATH MODEL FOR PRECISE TOOL PATH DATA.
 - MATING TERMINAL 12052139 OR EQUIVALENT.
 - CUT OFF TAB DIMENSION FROM TIP OF TERMINAL TO BE 0.25mm MAX. WITH NO BURR PERMISSIBLE.

PART NO	REV	N/P	STATUS	MAT'L SIZE	MAT'L SPEC	PART NO	REV	N/P	STATUS	MAT'L SPEC	SIZE (MM²)	ID	DIA
				0.381 X 44.45	12065197	D5				TIN PLATED COPPER ALLOY	3	12	4.9/3.57
				0.381 X 44.45	12065196	D5				TIN PLATED COPPER ALLOY	2	15	3.58/2.56
				0.381 X 44.45	12052172	G5				TIN PLATED COPPER ALLOY	5	10	5.24/3.49

DWG TYPE PART DRAWING	
STYLE	D
VOLUME (OMP)	DISTR CODE
UNLESS OTHERWISE SPECIFIED	
THIS DOCUMENT IS IN ACCORDANCE WITH ASME Y14.5M-1994 AS MODIFIED BY THE 2003 DIMENSIONING AND TOLERANCING ADDENDUM - 1997. ALL GEOMETRIC TOLERANCES AND RELATED DATUMS APPLY PER RULE #1 EXCEPT FOR #1 MNCI DOES NOT APPLY WHEN RELATIONSHIP BETWEEN FEATURES IS ESTABLISHED BY ORIENTATION OR LOCATION TOLERANCES. SEPARATE POSITION CALLOUTS MAY BE SAVED SEPARATELY, IRRESPECTIVE OF DATUM REFERENCE.	
ALL DIMENSIONS ARE IN MILLIMETERS	
REFERENCE	
THIRD ANGLE PROJECTION	DO NOT SCALE
USE MATH DATA	

DELPHI
DELPHI PACKARD ELECTRICAL/ELECTRONIC ARCHITECTURE
WARREN, OH

DR	DATE
APV01 JOSE HERNANDEZ	03FE99
APV02 JOSE HUERTA	19FE99
APV03 JOSE HUERTA	19FE99
APV04	
APV05	

SUBSTANCES OF CONCERN AND RECYCLED CONTENT PER DELPHI (044490)

MATERIAL

SEE CHART

DRAWING NAME
TAXI TERM M/W/P 480 SEALED TANG

DRAWING NUMBER
12052171

SIZE	SCALE	FRAME NO	SHEET NO	STG	REV	N/P
A0	10:1	1	1	OF 1	R	05

Mouser Electronics

Authorized Distributor

Click to View Pricing, Inventory, Delivery & Lifecycle Information:

[Aptiv:](#)

[12052172-L](#) [12065196-L](#) [12065197-L](#)