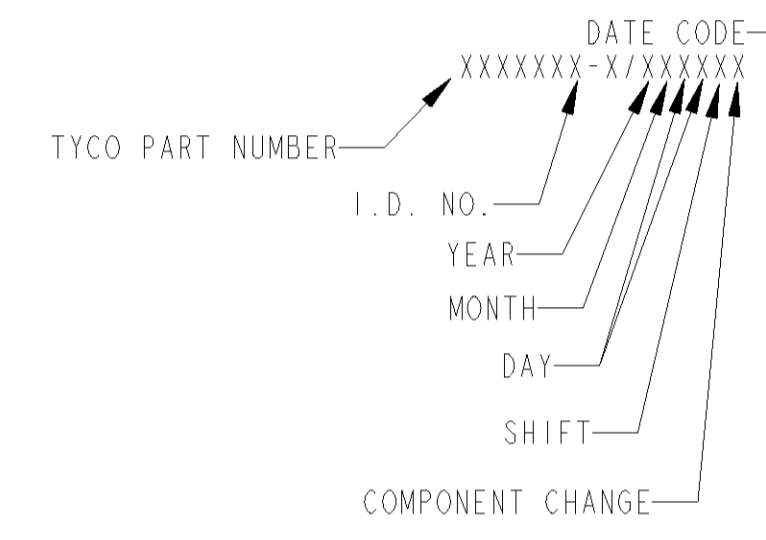
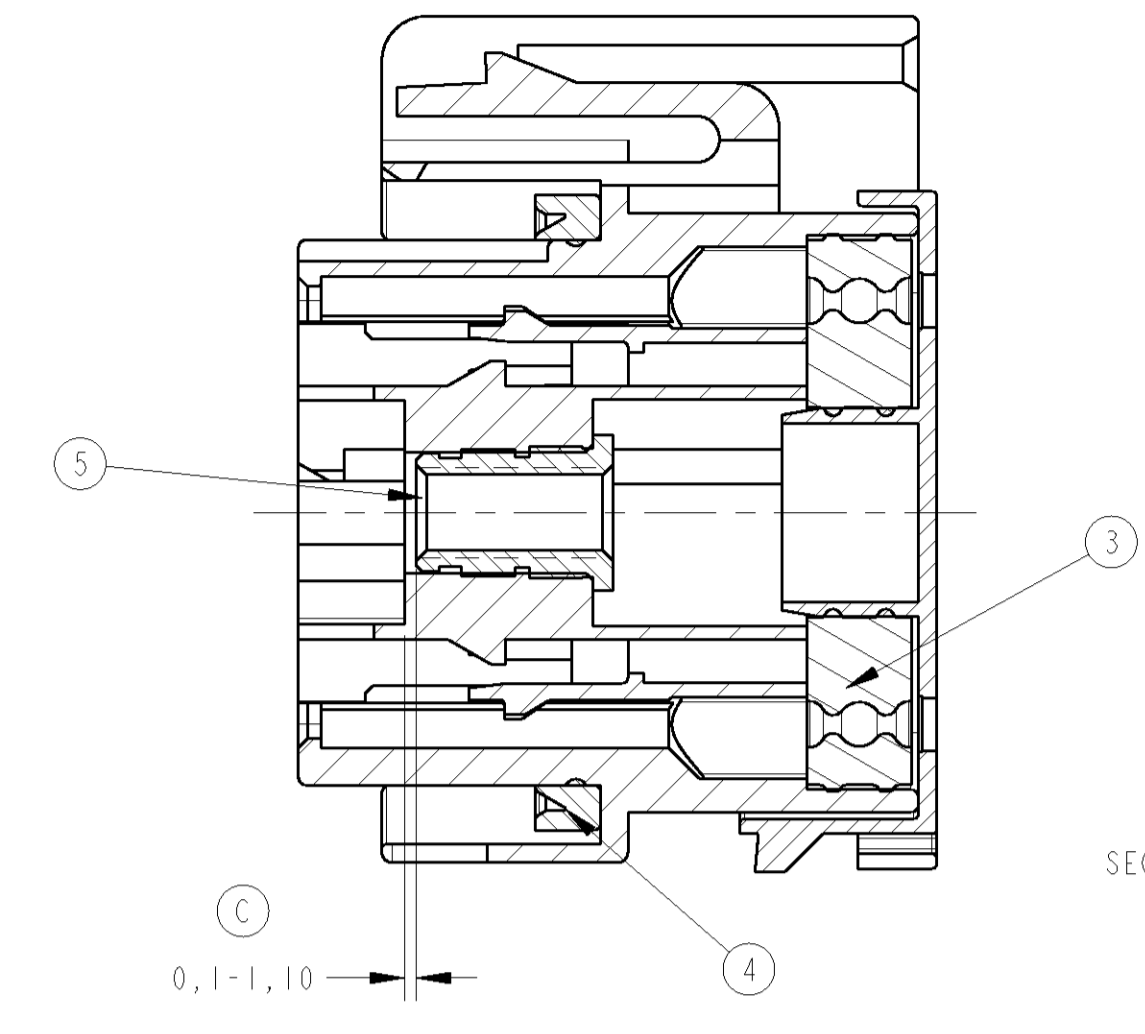
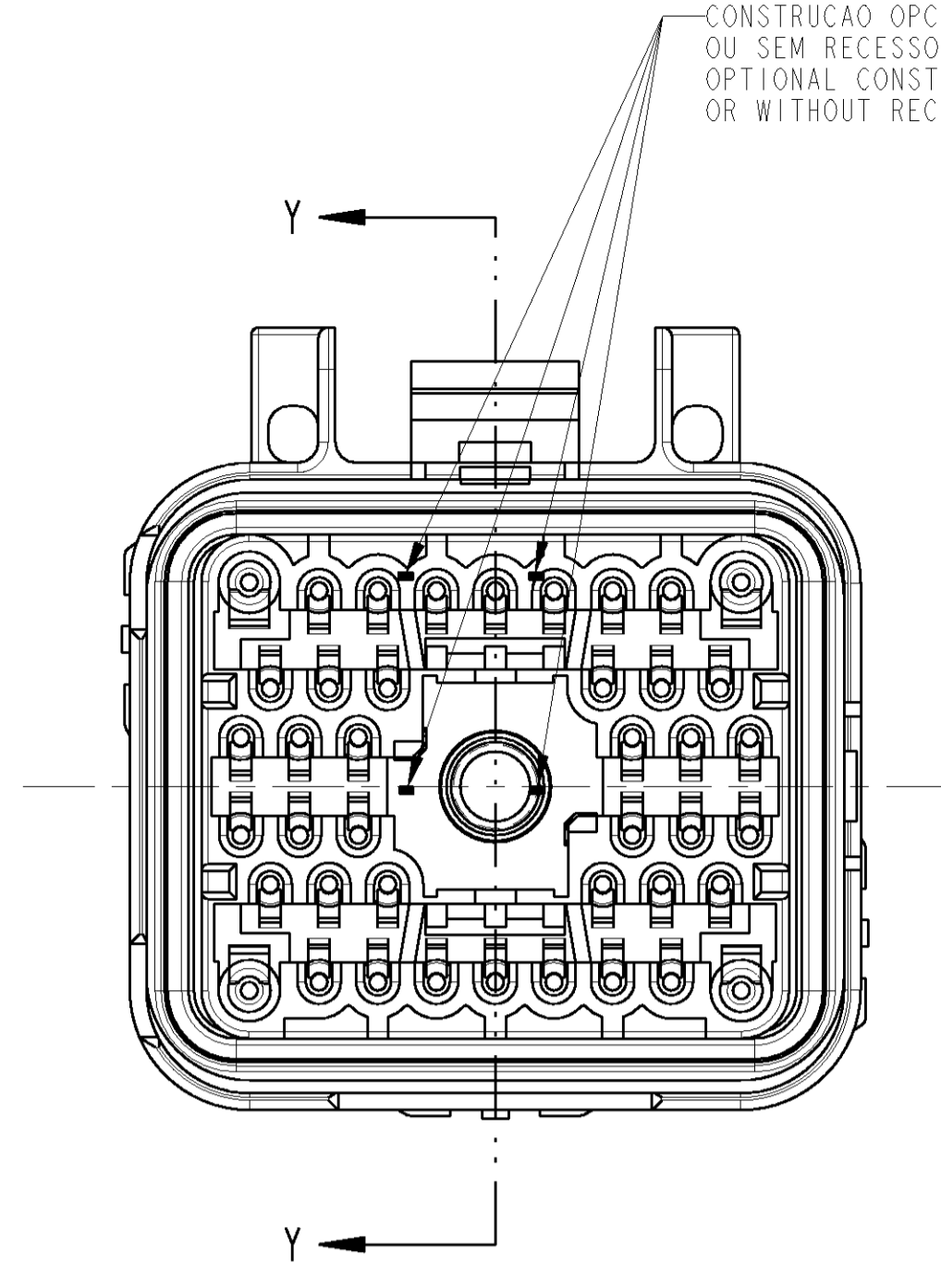
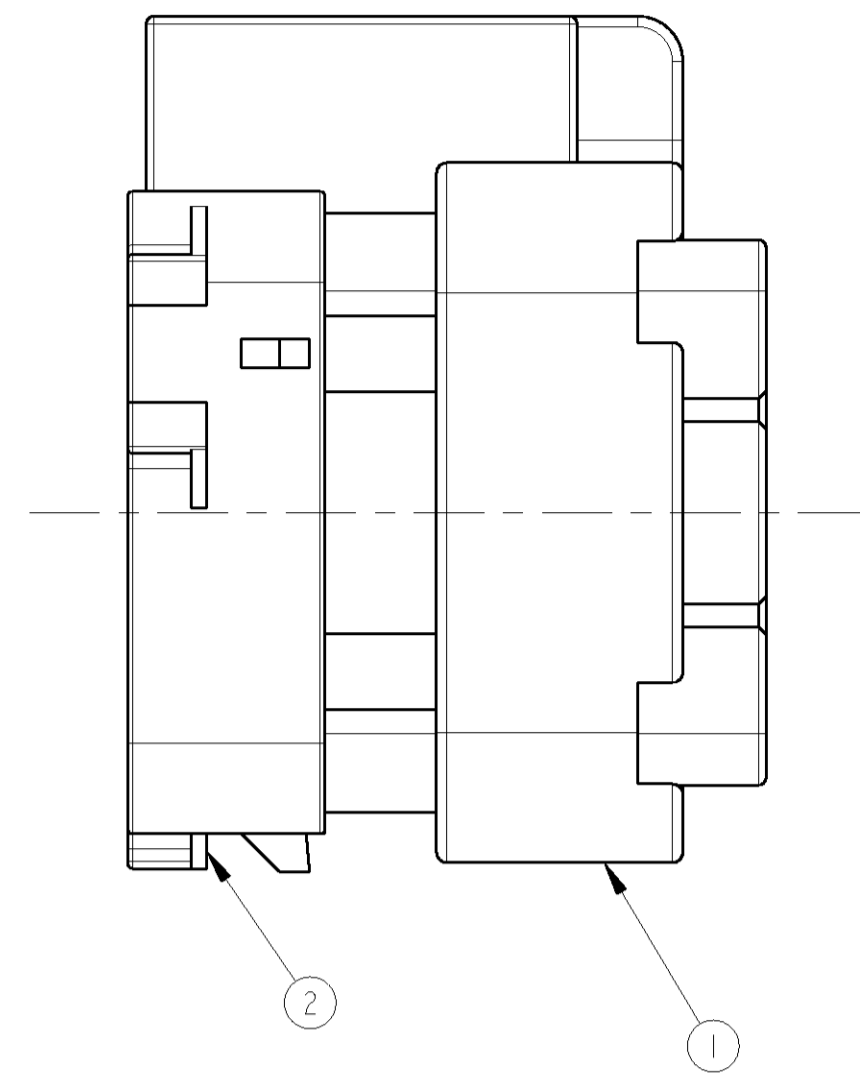
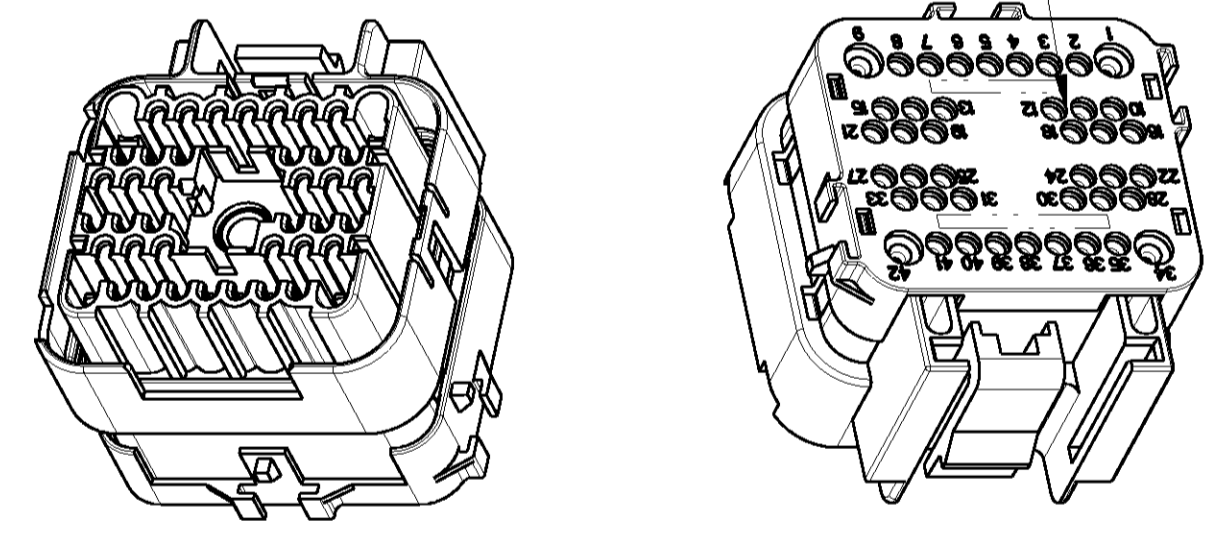


LOC	DIST	REVISIONS					
AP	-	P.	LTR	DESCRIPTION	DATE	DWN	APVD
		O		RELEASED BY EC-112/03	09APR03	NCL	PLF
		A		REVISED BY EC-161/03	12MAY03	MLO	PLF
		B		NEW DASHES ADDED EC-174/03	02JULY2003	MRB	PLF
		C		REVISED BY EC-373/03	29MAR04	NCL	PLF

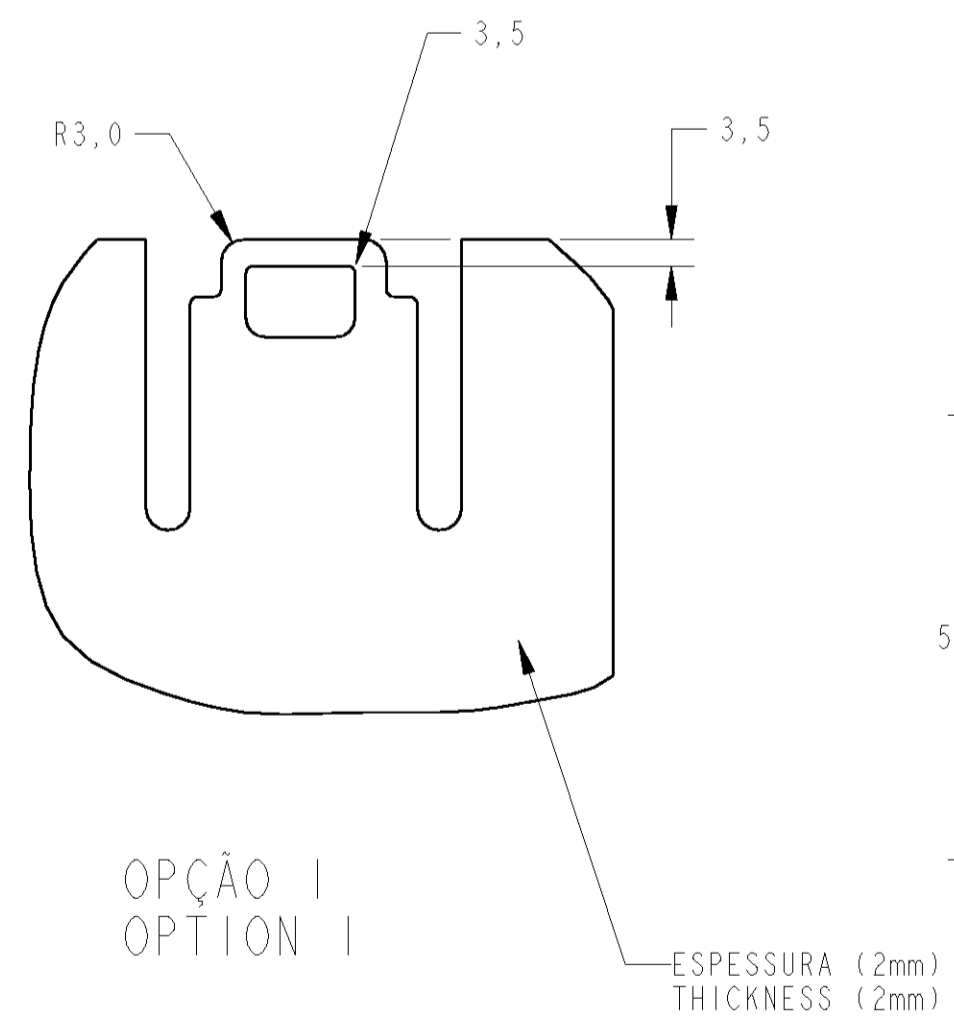


- 1 - UTILIZAR COM SPACER CENTRAL 493511-1 (1CADA) E SPACER LATERAL 493510-1 (2CADA).
- 2 - PARA ASSEGURAR A COMPATIBILIDADE FUNCIONAL ENTRE AS PEÇAS ELAS DEVEM SER FERRAMENTADAS JUNTAS E MANUFATURADAS POR UM MESMO PROVEDOR.
- 3 - 1599027 (HOUSING ASSY PIN CONTACT) DEVE MONTAR COM 1599028 (HOUSING ASSY, SOCKET CONTACT) APROPRIADAMENTE.
- 4 - AS PEÇAS DEVEM ENCAIXAR COMPLETAMENTE USANDO-SE TORQUE MÁXIMO NO PARAFUSO DE 3,65 Nm.
- 5 - PARA EXTRAÇÃO DO TERMINAL UTILIZAR FERRAMENTA CONF. AMP SPEC. 411-37031.

- 1 - TO BE USED WITH CENTRAL SPACER 493511-1 (1 EACH) AND SIDE SPACER 493510-1 (2 EACH)
- 2 - TO ENSURE FUNCIONAL COMPATIBILITY BETWEEN PARTS THEY MUST BE TOOLED TOGETHER AND MOLDED BY A SINGLE SOURCE.
- 3 - 1599027 (HOUSING ASSY PIN CONTACT) MUST MATE APPROPRIATE WITH 1599028 (HOUSING ASSY, SOCKET CONTACT).
- 4 - PARTS MUST FULLY MATE USING 3.65 Nm MAXIMUM TORQUE ON BOLT.
- 5 - FOR TERMINAL EXTACTION TOOL SEE AMP SPEC.:411-37031

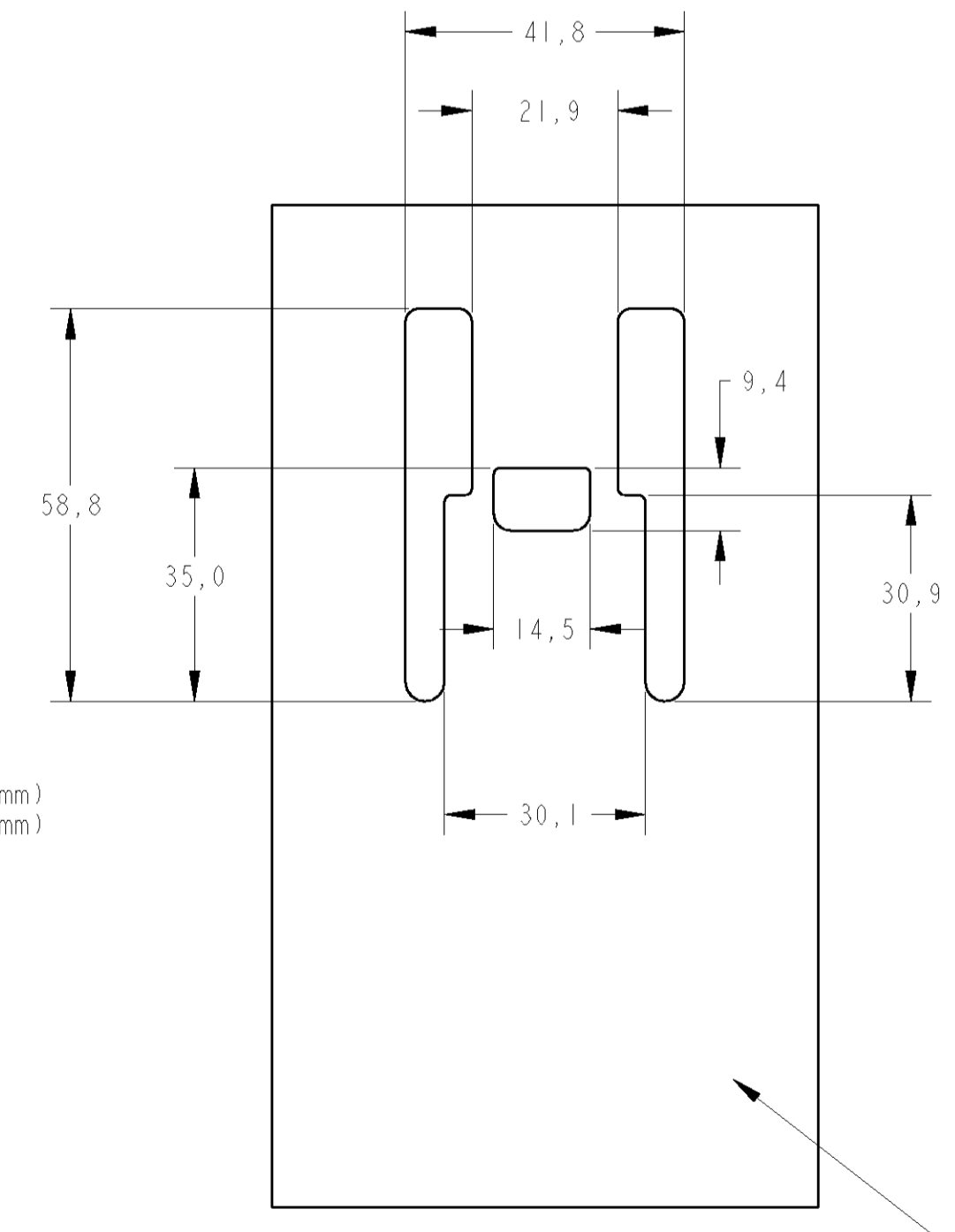


PERSPECTIVE VIEWS
SCALE 1:1



OPÇÃO 1
OPTION 1

ESPESSURA (2mm)
THICKNESS (2mm)



OPÇÃO 2
OPTION 2

ESPESSURA (2mm)
THICKNESS (2mm)

DETALHE DE ENCAIXE NA CHAPA
MOUNT ON BOARD DETAIL
SCALE 1:1

QTY	ITEM	PART NUMBER	DESCRIPTION	MATERIAL	COLOR
1	5	493513-1	NUT 6 mm	NA	NA
1	4	493514-1	CONNECTOR SEAL (GASKET)	SILICONE	VERMELHO/RED
1	3	493507-1	GROMMET WIRE SEAL 16MIL	SILICONE	AZUL/BLUE
1	2	493512-3	COVER-WIRE CONNECTOR, 42 POSN.	PBT +33% GF	PRETO/BLACK
1	1	493509-3	HOUSING, 42 POSN.SOCKET CONTACT	PBT +33% GF	PRETO/BLACK
-5	-4	-3	-2	-1	ITEM
C	C	C	C	C	PART REV
REQ.PER ASSY		PART NUMBER	DESCRIPTION	MATERIAL	COLOR
1599028					

DIMENSIONS:		TOLERANCES UNLESS OTHERWISE SPECIFIED:		DWN E.J.G.SILVA T2AUG2002		TYCO ELECTRONICS do Brasil LTDA. São Paulo, Brasil	
mm		9 PLC ±0.3		CHK P.L.FARIA T2AUG2002		APVD D. OLIVEIRA T2AUG2002	
		1 PLC ±0.3		NAME		TYCO Electronics	
		3 PLC ±0.3		PRODUCT SPEC		HOUSING ASSY., 42 POSN., SOCKET CONTACT	
		4 PLC ±0.3		APPLICATION SPEC		SIZE CAGE CODE DRAWING NO RESTRICTED TO	
		ANGLES ±0.1°		NA		A1 00779 C=1599028	
MATERIAL SEE TABLE		FINISH SEE TABLE		WEIGHT NA		SCALE 2:1 SHEET 1 OF 2 REV C	
				CUSTOMER DRAWING			

Mouser Electronics

Authorized Distributor

Click to View Pricing, Inventory, Delivery & Lifecycle Information:

[TE Connectivity:](#)

[1599028-5](#)