

PART
NAME

HAND HAND BOX (STYLE L)

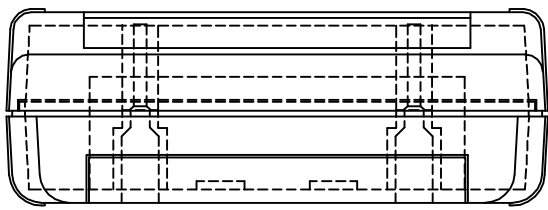
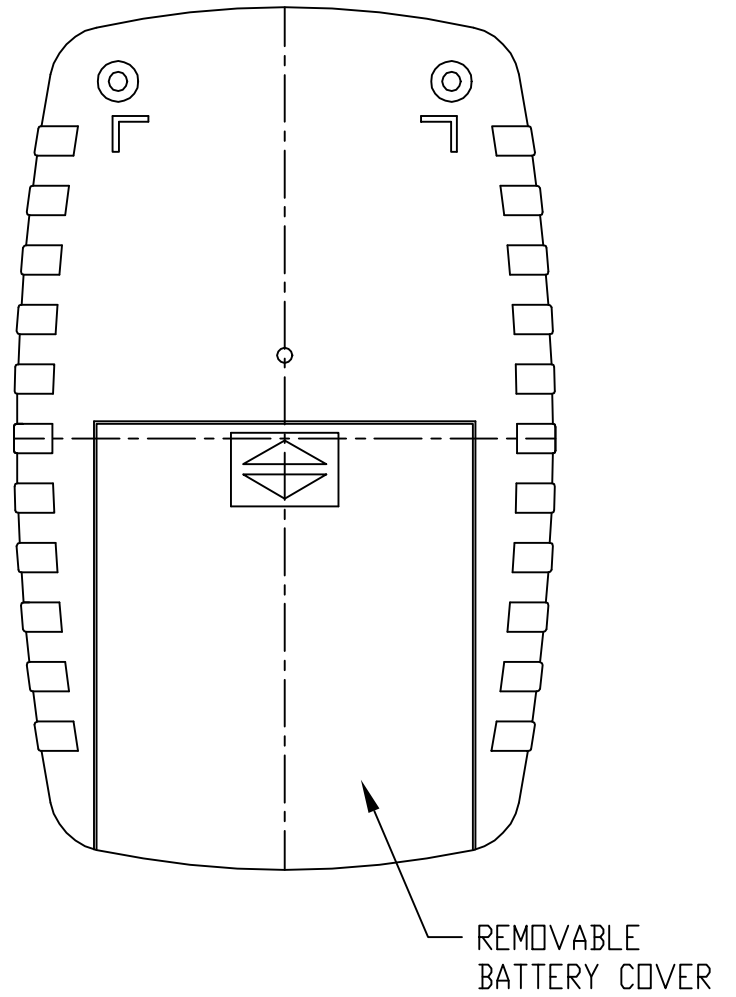
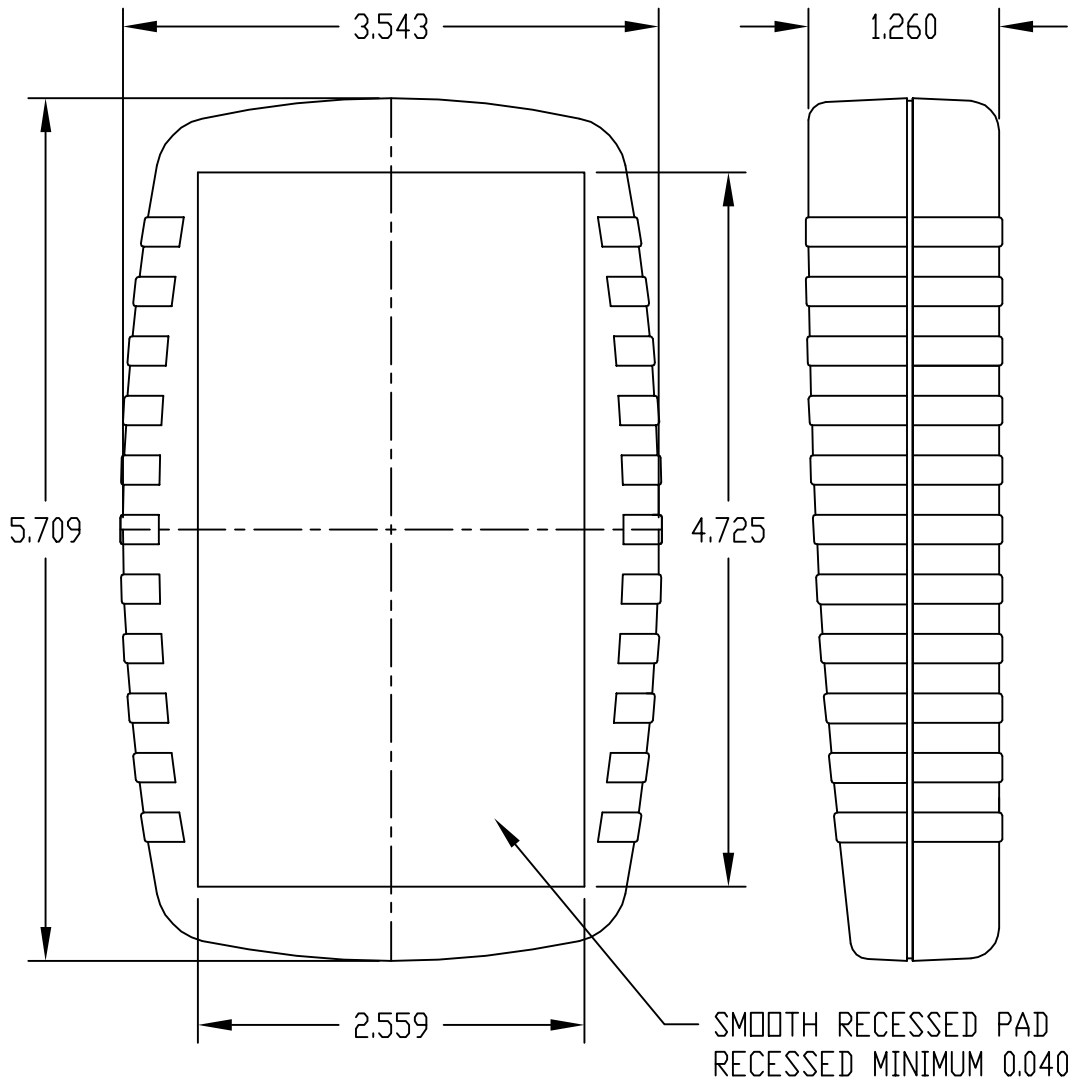
PART
No.

HH-3580-BC

REV.
DATE

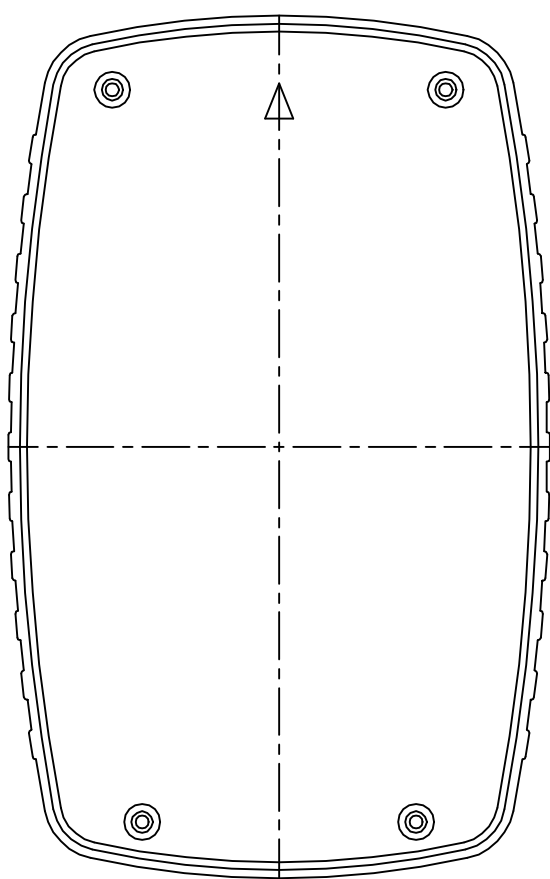
MATERIAL: HIGH IMPACT ABS WITH UL94V-0
FLAMMABILITY RATING
FINISH: TEXTURED BLACK

ALL DIMENSIONS HAVE ± 0.015 TOLERANCE
FOUR (4) M3 \times 1/2" LG. FLAT HD. STAINLESS
STEEL SCREWS SUPPLIED FOR ASSEMBLY

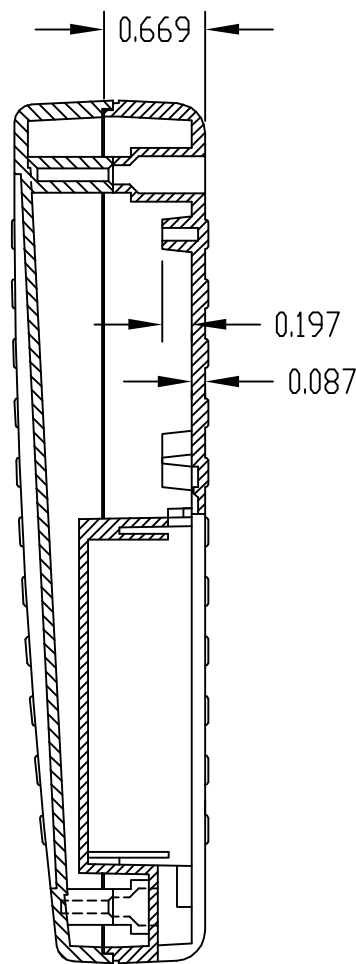


NOTE: MOUNTING BOSSES USE EITHER M2.5 METRIC
OR #4 STD. SHEET METAL SCREWS \times 3/16" LG.
(NOT SUPPLIED)

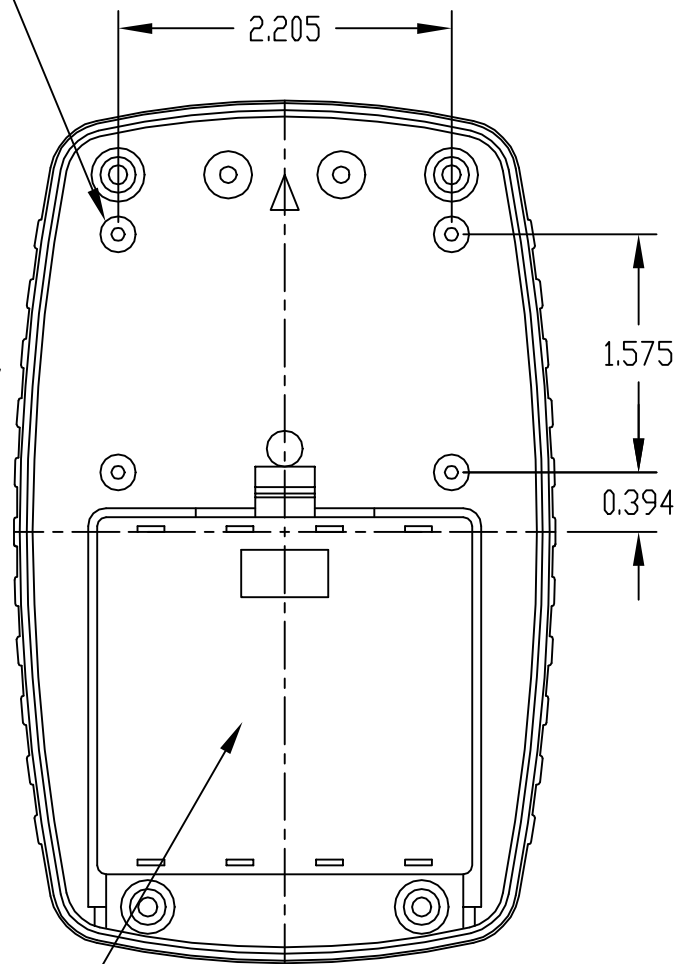
0.236 DIA. BOSS
WITH 0.087 DIA. HOLE
(4) PLACES



INSIDE VIEW OF TOP



BATTERY COMPARTMENT ACCEPTS
(2) OR (4) AA, (1) 9V, OR
(1) 9V AND (2) AA BATTERIES



INSIDE VIEW OF BOTTOM

Mouser Electronics

Authorized Distributor

Click to View Pricing, Inventory, Delivery & Lifecycle Information:

[Bud Industries:](#)

[HH-3580-BCB](#)