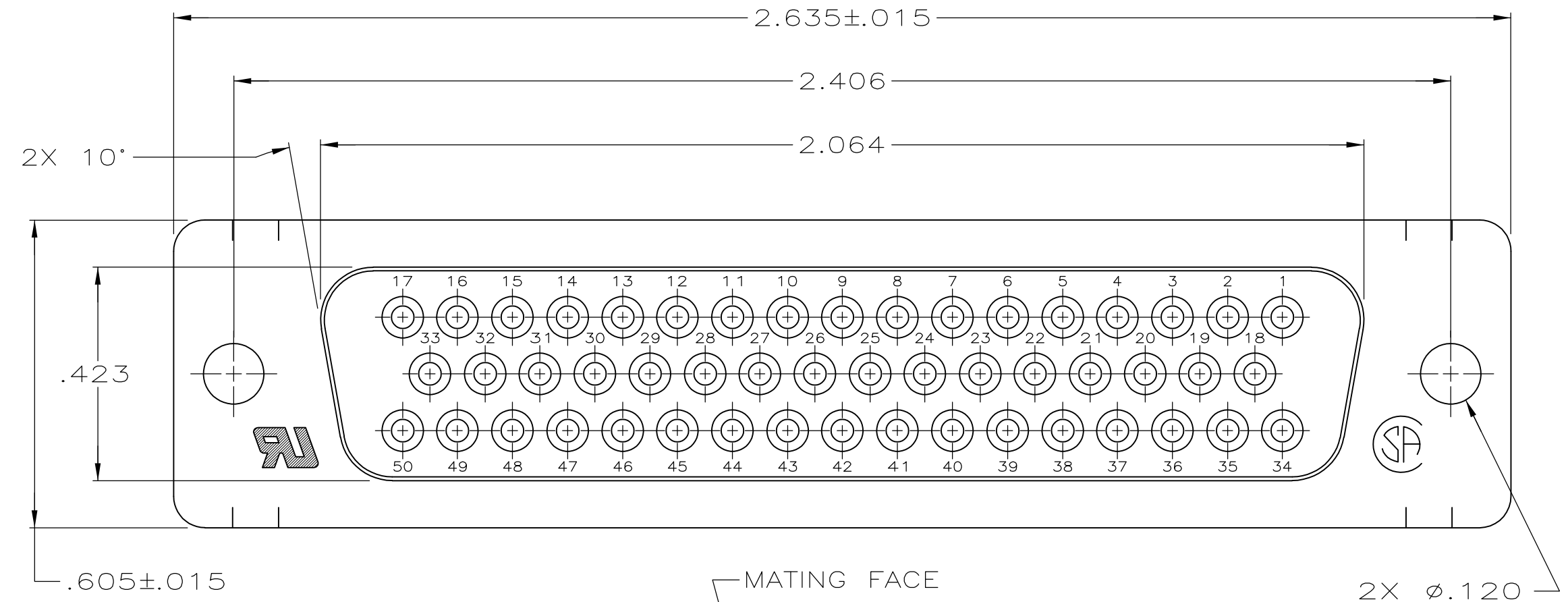
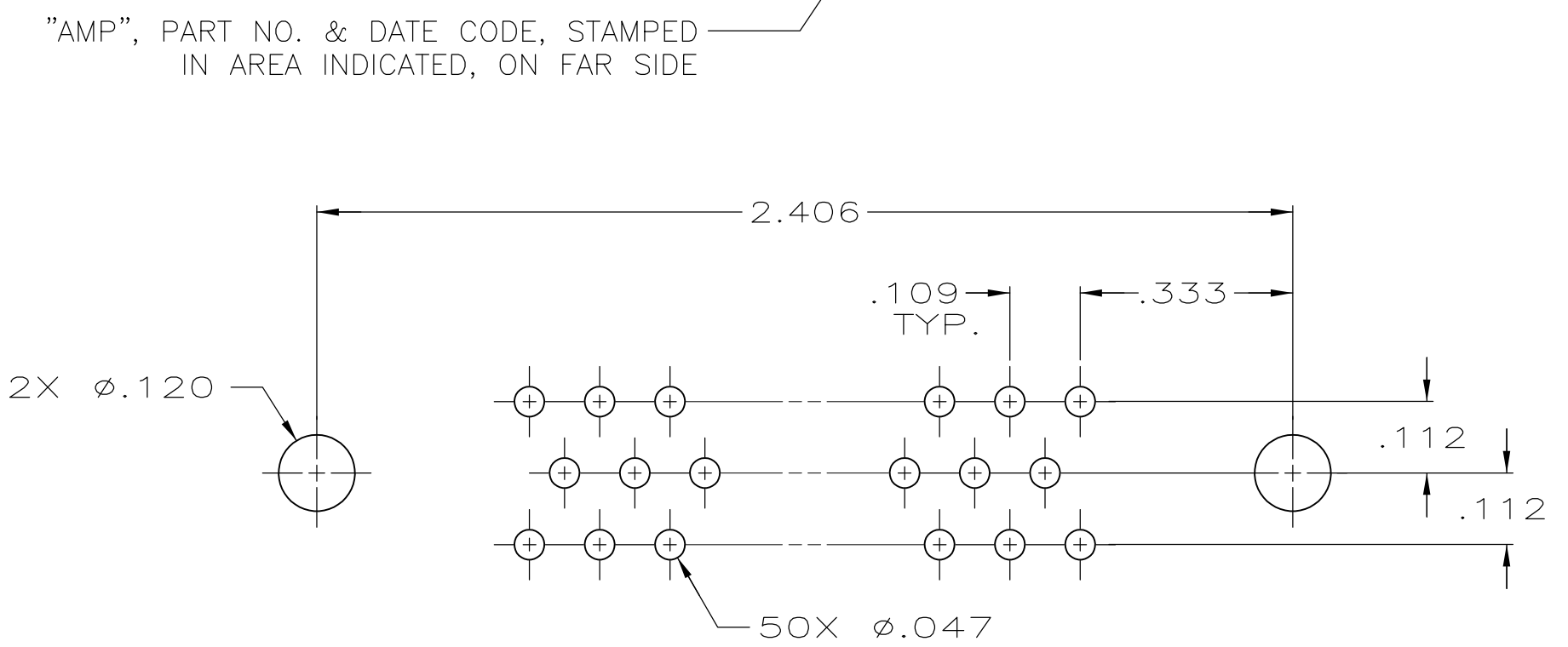
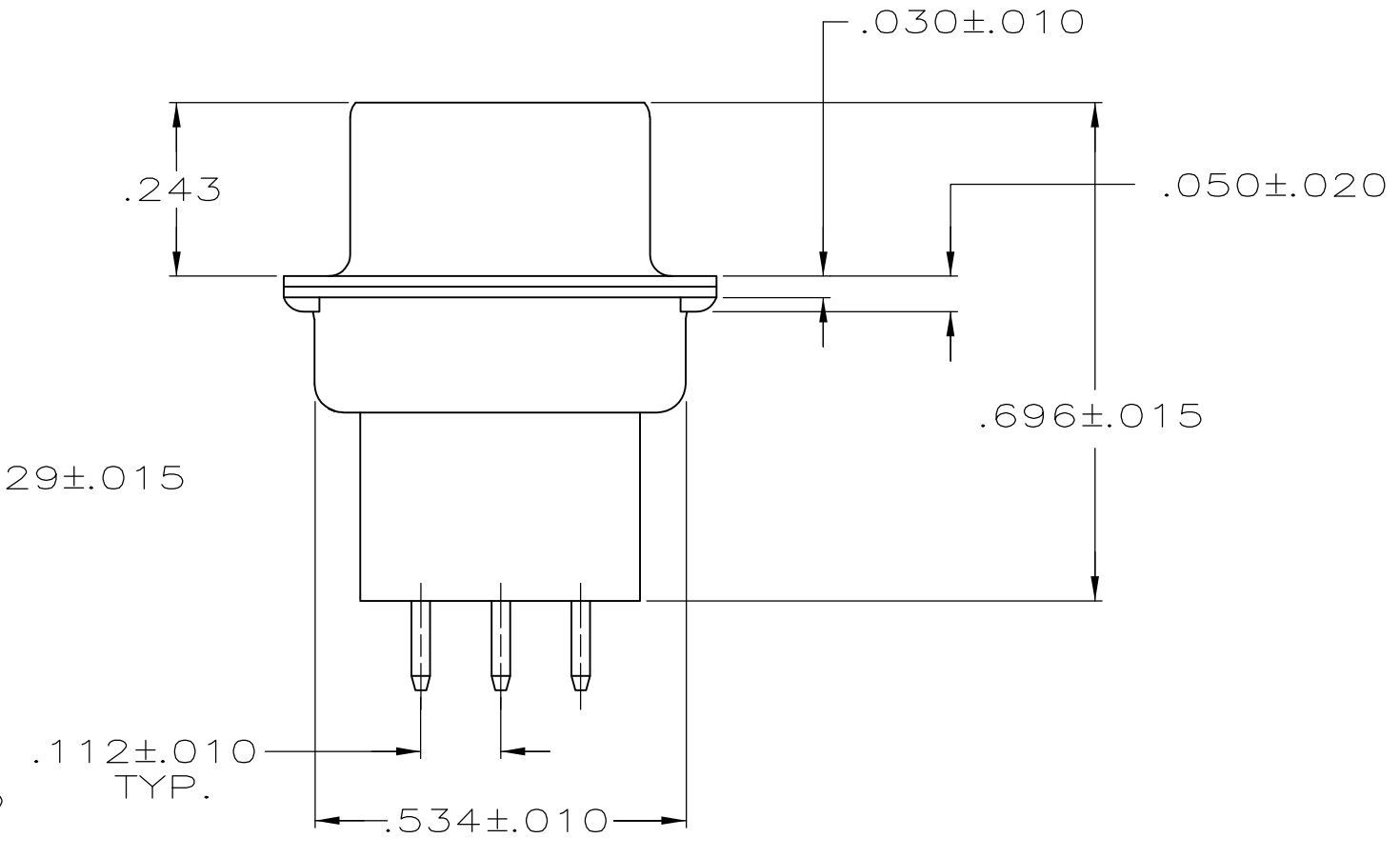
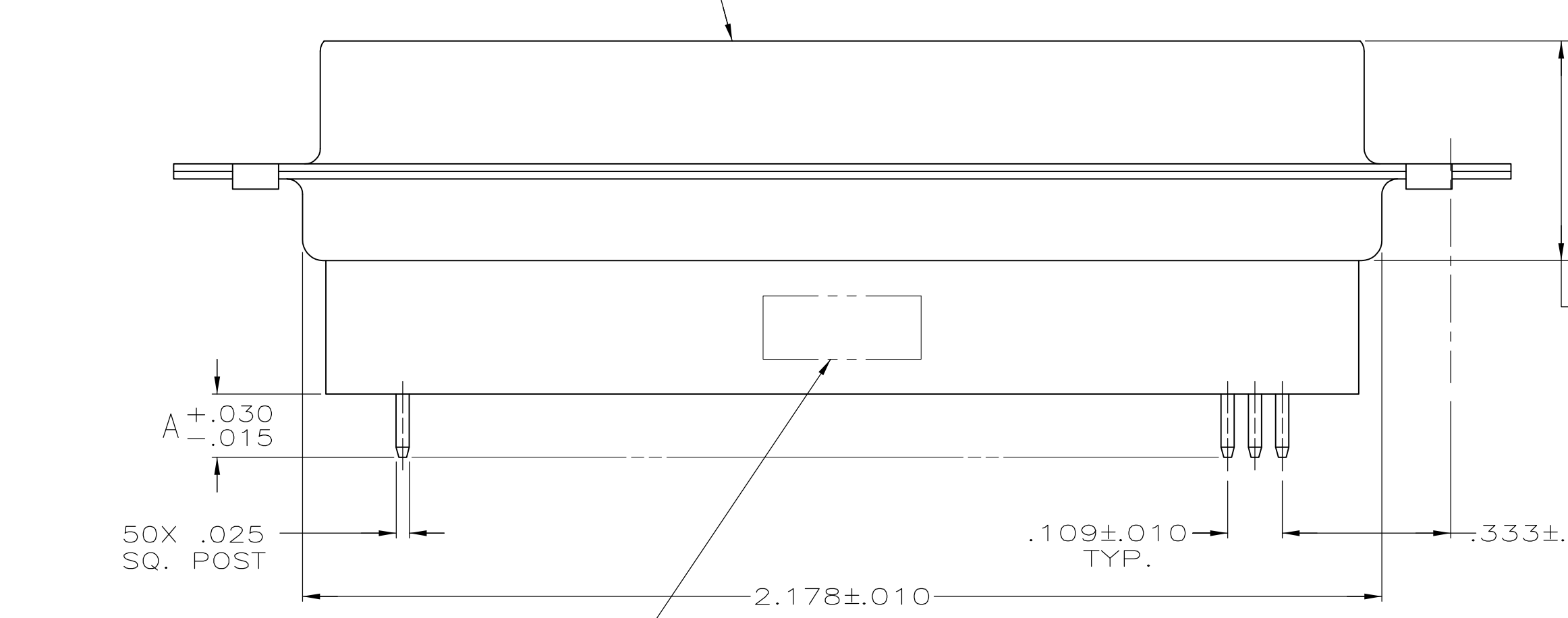


THIS DRAWING IS UNPUBLISHED. RELEASED FOR PUBLICATION  
 © COPYRIGHT BY TYCO ELECTRONICS CORPORATION. ALL RIGHTS RESERVED.

LOC		DIST		REVISIONS			
GP	00	P	LTR	DESCRIPTION	DATE	DWN	APVD
		M		REVISED PER ECO-10-000073	18FEB2010	CJV	SB



- 1. NOTE DELETED.
- 2. MOLDED PARTS: FLAME RETARDANT 94V-0 RATED THERMOPLASTIC  
SHELLS: STEEL  
CONTACTS: BRONZE.
- 3. GOLD FLASH ON MATING END, .000100 MIN TIN-LEAD ON SOLDER END, ALL OVER .000050 MIN NICKEL.
- 4. .000030 MIN GOLD ON MATING END, .000100 MIN TIN-LEAD ON OPPOSITE END, ALL OVER .000050 MIN NICKEL.  
-OR-  
GOLD FLASH OVER PALLADIUM-NICKEL .000030 MIN TOTAL ON MATING END, .000100 MIN TIN-LEAD ON OPPOSITE END, ALL OVER .000050 MIN NICKEL.
- 5. .000200 MIN TIN OVER .000100 MIN COPPER.



P.C. BOARD MOUNTING DIMENSIONS

SUPSD BY 745191-7	3	.188	745191-8
	4	.188	745191-7
OBSOLETE	3	.651	745191-6
SUPSD BY 205740-5	4	.651	745191-5
OBSOLETE	3	.427	745191-4
OBSOLETE	4	.427	745191-3
SUPSD BY 745191-1	3	.125	745191-2
	4	.125	745191-1
	GOLD FINISH	DIMENSION A	PART NUMBER

THIS DRAWING IS A CONTROLLED DOCUMENT.		DWN	J.GERACE	10-24-83	Tyco Electronics Corporation Harrisburg, PA 17105-3608	
DIMENSIONS: INCHES		CHK	J.GERACE	10-24-83		
TOLERANCES UNLESS OTHERWISE SPECIFIED:		APVD	B. TAYLOR	1-4-84		
0 PLC ± - 1 PLC ± - 2 PLC ± - 3 PLC ± .005 4 PLC ± - ANGLES ± 2°		PRODUCT SPEC	108-40025			
MATERIAL		APPLICATION SPEC	114-40013		NAME	RECEPTACLE ASSEMBLY, SIZE 5, 50 POS., VERTICAL, TM
FINISH		WEIGHT	-		SIZE	A2
SHELLS: 5		CUSTOMER DRAWING			CAGE CODE	00779
CONTACTS: SEE TABLE				SCALE	NTS	SHEET 1 of 1

# Mouser Electronics

Authorized Distributor

Click to View Pricing, Inventory, Delivery & Lifecycle Information:

[TE Connectivity:](#)

[745191-7](#)