

PRODUCT NUMBER

91614-YXXZLF

RoHS COMPATIBLE PRODUCT, NOTE 7.

A: TAPE & REEL PACKAGING, PRODUCT AND CAP GREY, TA-856.

G: TAPE & REEL PACKAGING, PRODUCT AND CAP BLACK, TA-856.

AV: TAPE & REEL PACKAGING FOR CUSTOMER DEDICATED PART, PRODUCT AND GREY CAP TA-856.

KV: TAPE & REEL PACKAGING WITHOUT PICK-UP CAP FOR CUSTOMER DEDICATED PART GREY TA-856.

TV: TUBE WHITHOUT CAP FOR CUSTOMER DEDICATED PART, GREY COLOR.
: OMIT LETTER MEANS STD PACKAGING TUBE, NOTE 3.

NUMBER OF POSITIONS: 03 UP TO 25, OVER 25 POS ON REQUEST

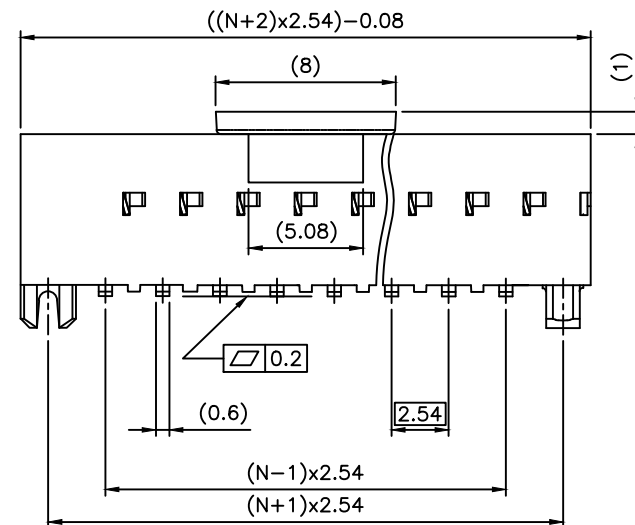
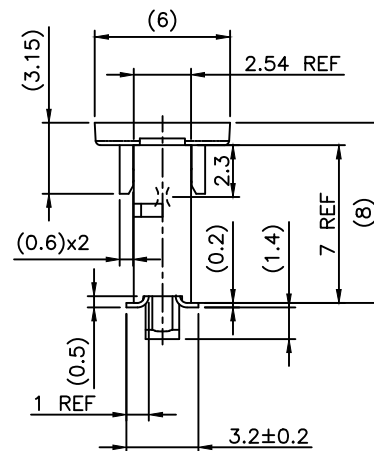
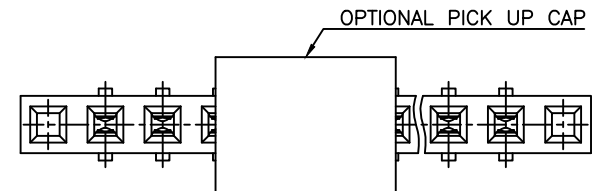
PLATING CODE

3= 0.76µm GOLD ON CONTACT AREA.

2µm MIN MATTE TIN ON TAIL.

4= 2µm MIN MATTE TIN FULL PLATED

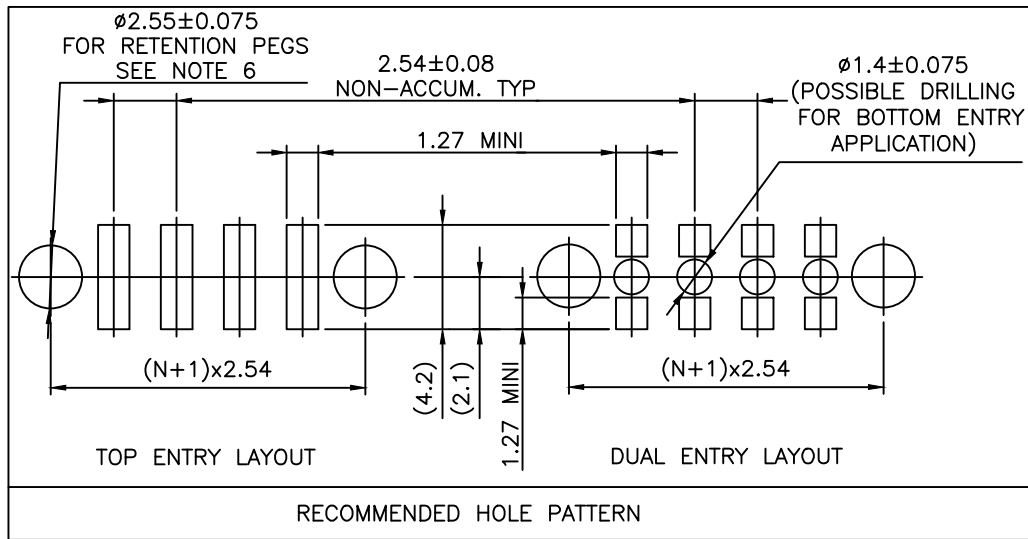
1.27µm Ni MIN UNDERPLATING



NOTES:

- 1 - HOUSING & PICK UP CAP MATERIAL: HIGH TEMPERATURE THERMOPLASTIC GLASS FILLED FLAME RETARDANT PER UL 94 COLOR: GREY or BLACK
- 2 - TERMINAL MATERIAL: PHOSPHOR BRONZE.
- 3 - 91614-YXXLF & 91614-YXXGLF ARE PACKED IN TUBE.
- 4 - TO DETERMINE DIMENSIONS:
N = NUMBER OF POSITIONS
EXAMPLE: 8 POS: ((N+2)x2.54)-0.08=25.32 mm.
- 5 - RECOMMENDED IR PROFILE PER TA842.
- 6 - Ø2.65 MINI FOR PICK & PLACE ASSEMBLY(=0 INSERTION FORCE).
- 7 - RoHS COMPATIBLE PRODUCT SPECIFICATIONS
 - a - PLATING:
 - "LF" MEANS THE PRODUCT IS LEAD-FREE, 2µm MINIMUM MATTE TIN OVER 1.27µm MINIMUM NICKEL UNDERPLATE.
 - b - MANUFACTURING PROCESS COMPATIBILITY
 - THE HOUSING WILL WITHSTAND EXPOSURE TO 260°C PEAK TEMPERATURE FOR 30 SECONDS MAX IN A CONVECTION, INFRA-RED OR VAPOR PHASE OR REFLOW OVEN.
 - c - LABELING:
 - MEETS PACKAGING SPECS AS PER GS-14-920
 - d - LEGAL STATEMENT: SEE GS-47-0004

mat'l. code		surface		tolerance		projection		product family	
SEE NOTES		ISO 1302 ✓		ISO 406 ISO 1101		mm		DUBOX	
ltr	ecn no	dr	date	tolerances unless otherwise specified		mm		title	
X	F07-0245	PNZ	07.08.14	angles	Linear	mm		BtB RECEPT.	
Y	F08-0102	PNZ	08.01.18	±2°	Linear	mm		VERT SR SMT	
AA	F11-0338	JCO	11.11.05	±2°	Linear	scale 1:1		sheet 1 of 2 size	
AB	B-15631	JCO	13.07.26	dr	D LEGRAND	02.01.31		91614 A3	
AC	B-16805	JCO	14.01.21	enrg	P NIZZI	02.01.31		type CUSTOMER Drawing	
AD	B-19123	LMU	14.10.21	chr	DLE	02.01.31			
AE	B-19716	BVE	14.12.11	appd	PNZ	02.01.31			
sheet	revision	AE	B						
index	sheet	1	2						



Copyright FCI

mat'l. code		surface		tolerance		projection		product family	
SEE NOTES		ISO 1302		ISO 406 ISO 1101				DUBOX	
ltr	ecn no	dr	date	tolerances unless otherwise specified		mm		title	
A	F04-0347	DLE	04.11.10	angles	linear			BtB RECEPT.	
B	F06-0204	DLE	06.06.23	±2°		scale 1:1		VERT SR SMT	
				dr	D LEGRAND	04.11.10			dwg no
				enr	P NIZZI	04.11.10	sheet 2 of - size		
				chr	D LEGRAND	04.11.10	91614		A3
				appd	P NZ	04.11.10	type		CUSTOMER Drawing
sheet	revision								
index	sheet								

Mouser Electronics

Authorized Distributor

Click to View Pricing, Inventory, Delivery & Lifecycle Information:

[FCI / Amphenol:](#)

[91614-303ALF](#) [91614-304ALF](#) [91614-305ALF](#) [91614-306A](#) [91614-306ALF](#) [91614-307ALF](#) [91614-308ALF](#) [91614-309ALF](#) [91614-310ALF](#) [91614-312ALF](#) [91614-314ALF](#) [91614-319LF](#) [91614-321LF](#) [91614-323LF](#) [91614-325LF](#) [91614-403ALF](#) [91614-403LF](#) [91614-404ALF](#) [91614-404LF](#) [91614-405ALF](#) [91614-405LF](#) [91614-406ALF](#) [91614-406LF](#) [91614-407ALF](#) [91614-407LF](#) [91614-408ALF](#) [91614-408LF](#) [91614-409ALF](#) [91614-409LF](#) [91614-410ALF](#) [91614-410LF](#) [91614-411LF](#) [91614-412ALF](#) [91614-412LF](#) [91614-413LF](#) [91614-414ALF](#) [91614-414LF](#) [91614-415LF](#) [91614-416LF](#) [91614-417LF](#) [91614-418LF](#) [91614-419LF](#) [91614-420LF](#) [91614-421LF](#) [91614-422LF](#) [91614-423LF](#) [91614-424LF](#) [91614-425LF](#) [91614-310GLF](#) [91614-310](#) [91614-303LF](#) [91614-304LF](#) [91614-305LF](#) [91614-306LF](#) [91614-307LF](#) [91614-308LF](#) [91614-309LF](#) [91614-310LF](#) [91614-311LF](#) [91614-312LF](#) [91614-313LF](#) [91614-314LF](#) [91614-315LF](#) [91614-316LF](#) [91614-317LF](#) [91614-318LF](#) [91614-320LF](#) [91614-322LF](#) [91614-324LF](#) [91614-306GLF](#) [91614-320ALF](#)