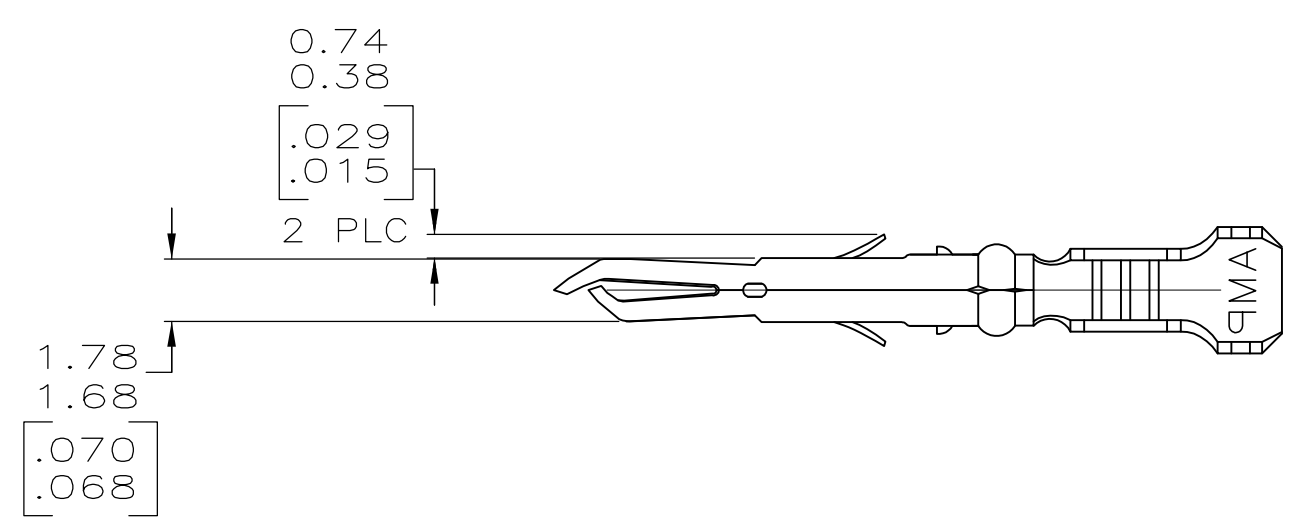
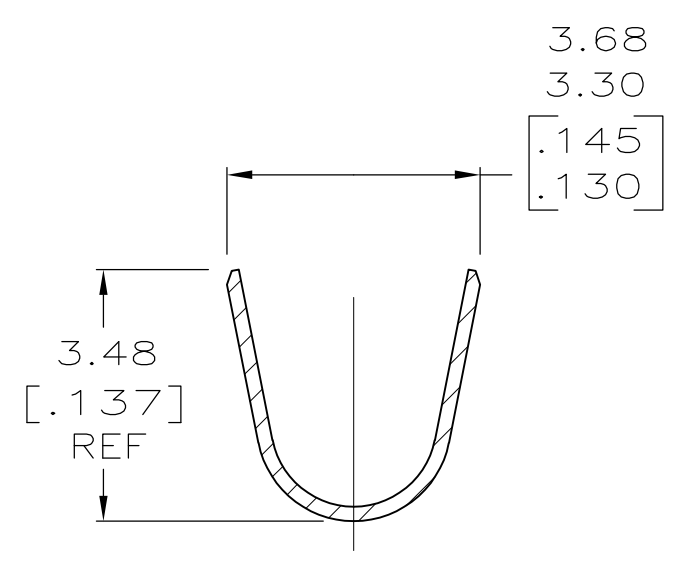
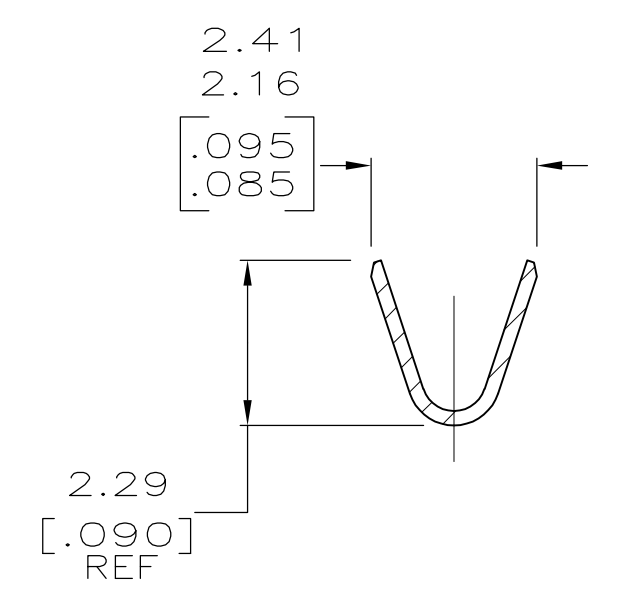
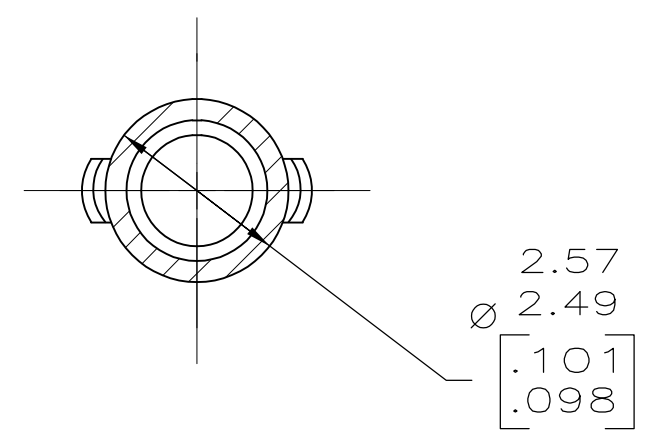
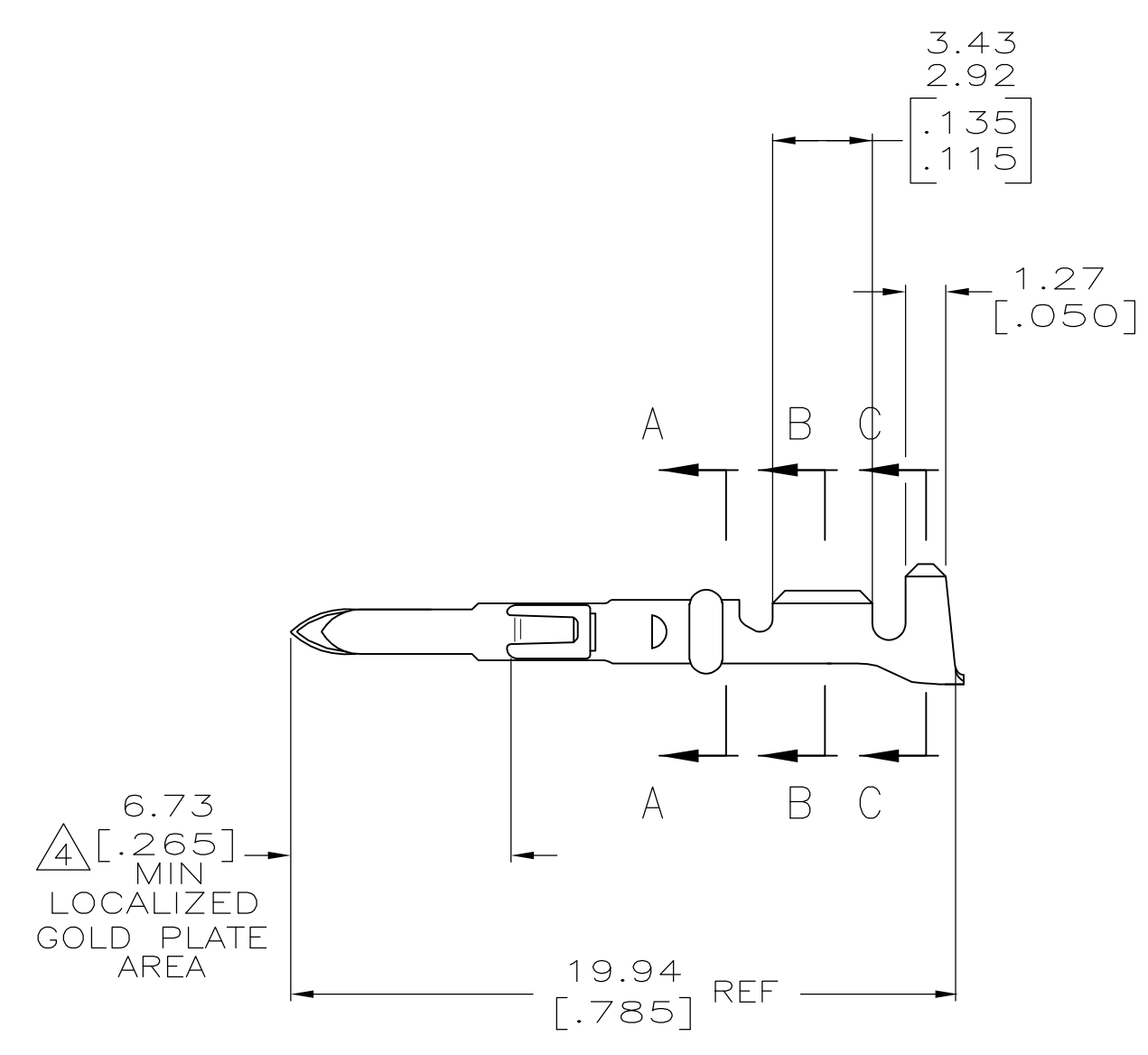
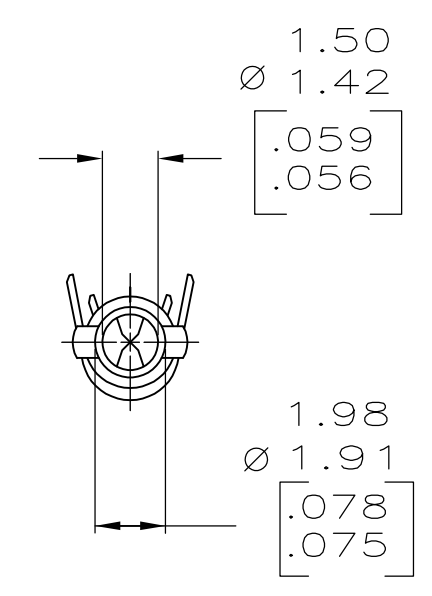


LOC	DIST	REVISIONS					
CM	52	P	LTR	DESCRIPTION	DATE	DWN	APVD
		C1		REVISED PER ECO-11-004820	11MAR11	RK	HMR



- 1 WIRE RANGE: 0.12-0.9mm² (26-18 AWG).
- 2 INSULATION RANGE: 1.27-2.92 [.050-.115] MAX. DIA.
- 3 DIMENSIONS IN BRACKETS ARE IN INCHES.
- 4 TIP PLATE WITH 0.00076-0.00091 [.000030-.000036] MIN GOLD IN THE LOCALIZED GOLD PLATE AREA OVER 0.00127 [.000050] MIN NICKEL UNDERPLATE.



4 GOLD PLATE	0.20 [.008] PHOS BRZ	640545-2
PRE-TIN	0.20 [.008] PHOS BRZ	640545-1
FINISH	MATERIAL	PART NO

THIS DRAWING IS A CONTROLLED DOCUMENT.		DWN K. SALMON 3-21-95	STE TE Connectivity	
DIMENSIONS: mm [INCHES]		CHK R. SWING 3-21-95	NAME PIN, LOOSE PIECE, MR	
TOLERANCES UNLESS OTHERWISE SPECIFIED:		APVD W. LONG 3-21-95	PRODUCT SPEC	
0 PLC ± -		APPLICATION SPEC		
1 PLC ± -		SIZE		
2 PLC ± -		CAGE CODE		
3 PLC ± 0.13 [.005]		DRAWING NO		
4 PLC ± -		RESTRICTED TO		
ANGLES ± -		A1 00779 C=640545		
MATERIAL SEE TABLE	FINISH SEE TABLE	WEIGHT	SCALE	SHEET
		-	5:1	1 OF 1
CUSTOMER DRAWING		REV	C1	

METRIC

Mouser Electronics

Authorized Distributor

Click to View Pricing, Inventory, Delivery & Lifecycle Information:

[TE Connectivity:](#)

[640545-2](#)