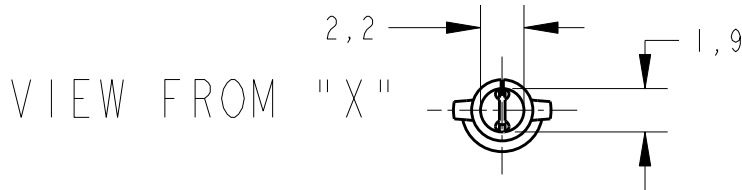
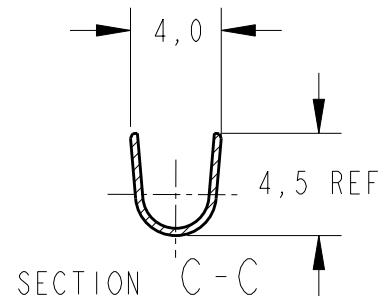
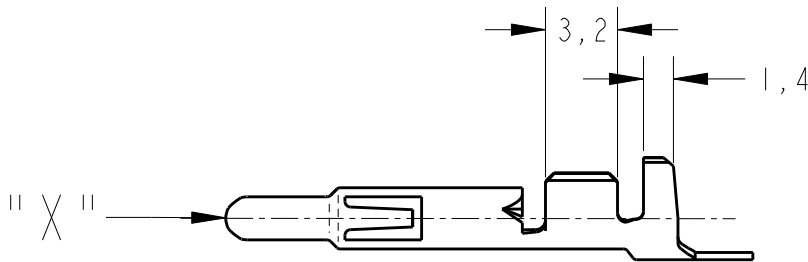
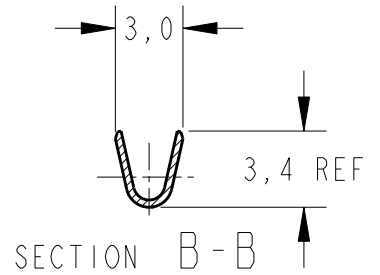
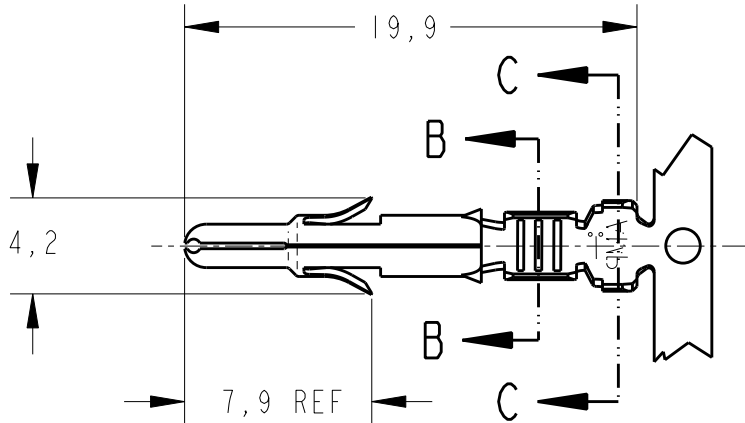


LOC	DIST	REVISIONS			
P	LTR	DESCRIPTION	DATE	DWN	APVD
AP	-	E1	REV. BY ECO 12-001956	31 JAN 2012	HC WLS



-SUPERSEDED BY PN-926887-3

—	POST TIN PLATED	BRASS/LATÃO	881109-3
—	TIN PLATED/ESTANHADO	PH. BRONZE/BRONZE FOSF.	881109-2
350705-1	TIN PLATED/ESTANHADO	BRASS/LATÃO	881109-1
LOOSE PIECE	FINISH	MATERIAL	PART NUMBER

DIMENSIONS: mm	DWN H.C. CANTERI	27MAY2004	MATERIAL	-	FINISH	-
	CHK W.L. STEFANI	27MAY2004	TE Connectivity			
TOLERANCES UNLESS OTHERWISE SPECIFIED:	APVD	-				
	0 PLC ±-	PRODUCT SPEC	INS. -DIA 3,30mm			
1 PLC ±0,4	APPLICATION SPEC	-				
2 PLC ±-	WIRE-RANGE 20/14AWG	SIZE	CAGE CODE	DRAWING NO	RESTRICTED TO	
3 PLC ±-	WEIGHT -	A 4	00779	C-881109	-	
4 PLC ±-	CUSTOMER DRAWING	SCALE -		SHEET 1	OF 1	REV E1
ANGLES ±1°						

20

RELEASED FOR PUBLICATION

THIS DRAWING IS UNPUBLISHED.

ALL RIGHTS RESERVED.

© COPYRIGHT 20

Mouser Electronics

Authorized Distributor

Click to View Pricing, Inventory, Delivery & Lifecycle Information:

[TE Connectivity:](#)

[881109-1](#)