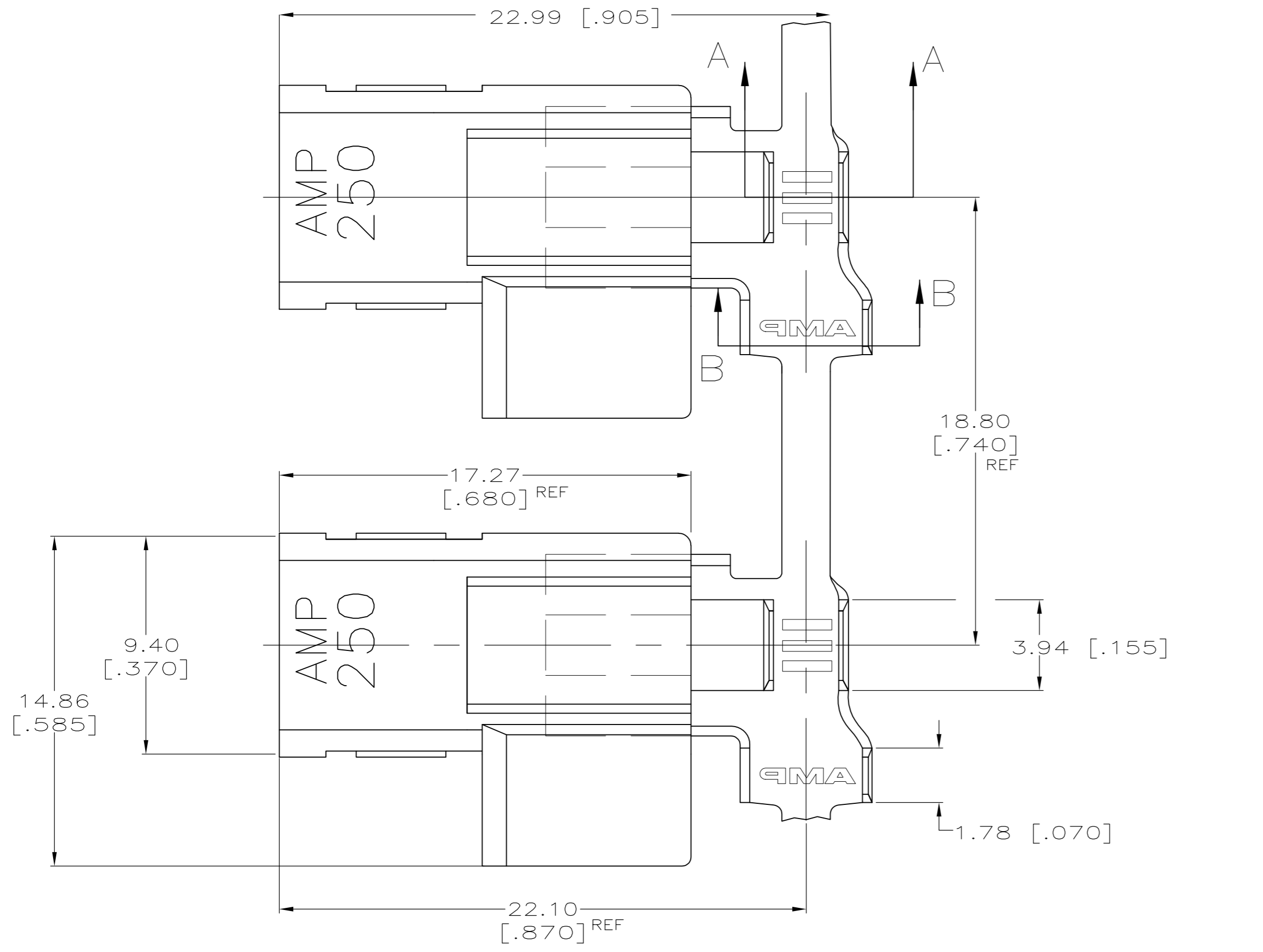
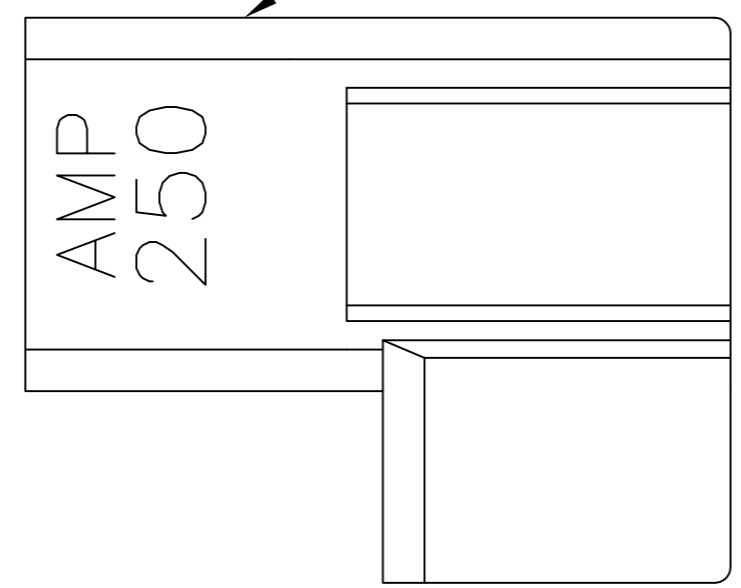
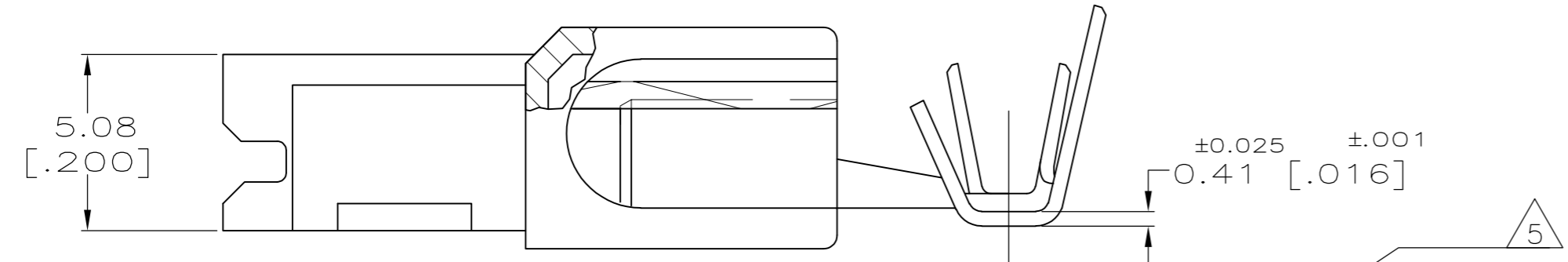
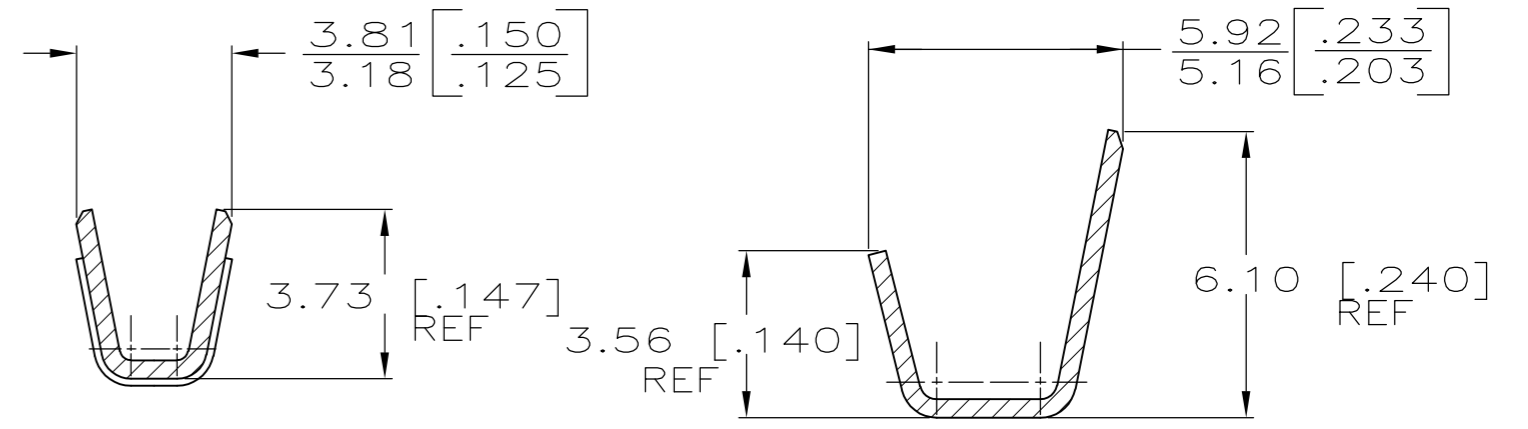


THIS DRAWING IS UNPUBLISHED. RELEASED FOR PUBLICATION
 © COPYRIGHT - By - ALL RIGHTS RESERVED.

LOC	DIST	REVISIONS			
P	LTR	DESCRIPTION	DATE	DWN	APVD
AF	50	W3	REVISED PER ECR-12-013219	08JAN13	KH KR



- 1 USE FLAG FASTON TERMINAL BASE P/N 63559, IN THIS PRODUCT.
- 2 WIRE SIZE IS #18-#14 AWG
- 3 INSULATION RANGE IS 2.79-4.06 DIA [.110-.160] DIA.
- 4 FITS .250 X .032 THK FASTON TAB
- 5 ALTERNATIVE HOUSING FORM



OBS	BULK	6/6 NYLON / NATURAL	TIN PLATE - 4M HARD BRASS	5-520971-2
STANDARD		6/6 NYLON / BLACK	TIN PLATE - BRASS	520971-4
		6/6 NYLON / NATURAL	TIN PLATE - H03 HARD PHOS BRZ	520971-3
		6/6 NYLON / NATURAL	TIN PLATE - BRASS	520971-2
		6/6 NYLON / NATURAL	PLAIN - BRASS	520971-1
PACKAGING	HOUSING MATERIAL / COLOR		TERMINAL FINISH - MATERIAL	PART NO.
THIS DRAWING IS A CONTROLLED DOCUMENT.		DWN 1/9/90 JR RUTH		
DIMENSIONS: INCHES		CHK 1/9/90 MS FEHER		
TOLERANCES UNLESS OTHERWISE SPECIFIED:		APVD 1/9/90 D BRATINA	NAME	
0 PLC ± -		PRODUCT SPEC	ASSEMBLY, RECEPTACLE, FLAG, ULTRA-POD, 6.35 [.250] SERIES	
1 PLC ± -		108-1285	SIZE	
2 PLC ± -		APPLICATION SPEC	CAGE CODE	
3 PLC ± 0.25 [.010]		114-2124	DRAWING NO	
4 PLC ± -		WEIGHT	RESTRICTED TO	
ANGLES ± -		-	A2 00779 C=520971	
MATERIAL	FINISH	CUSTOMER DRAWING	SCALE 6:1	SHEET 1 of 1
SEE TABLE	SEE TABLE		REV W3	

Mouser Electronics

Authorized Distributor

Click to View Pricing, Inventory, Delivery & Lifecycle Information:

[TE Connectivity:](#)

[520971-4](#)