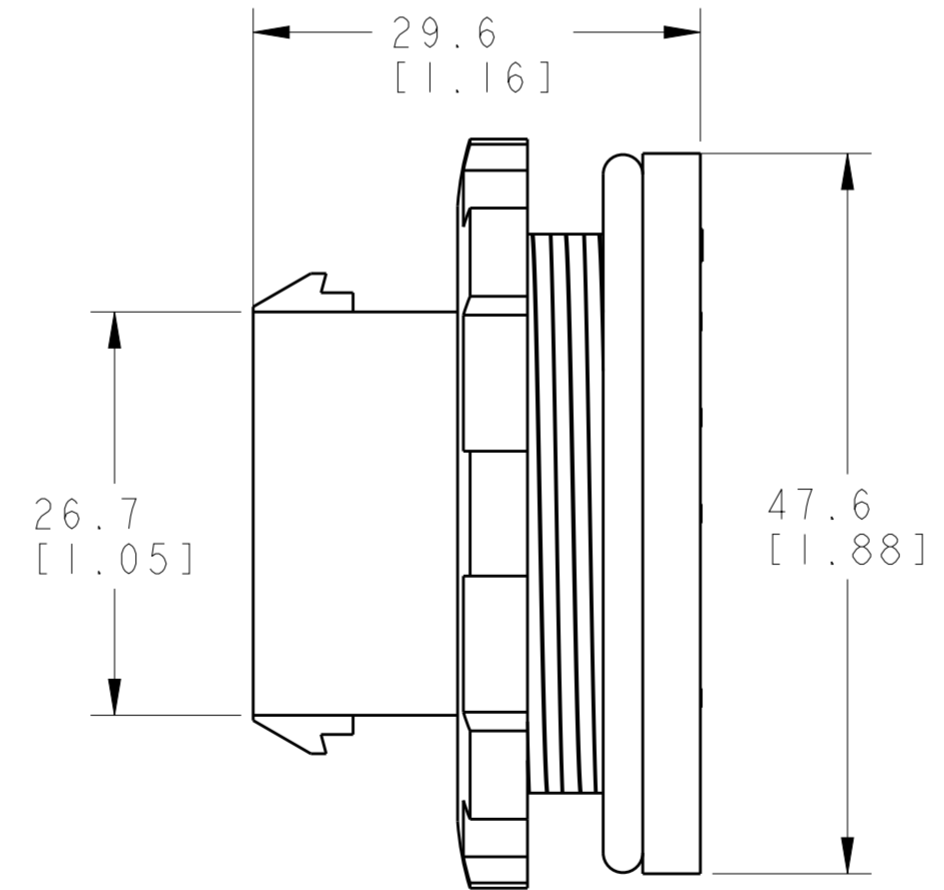
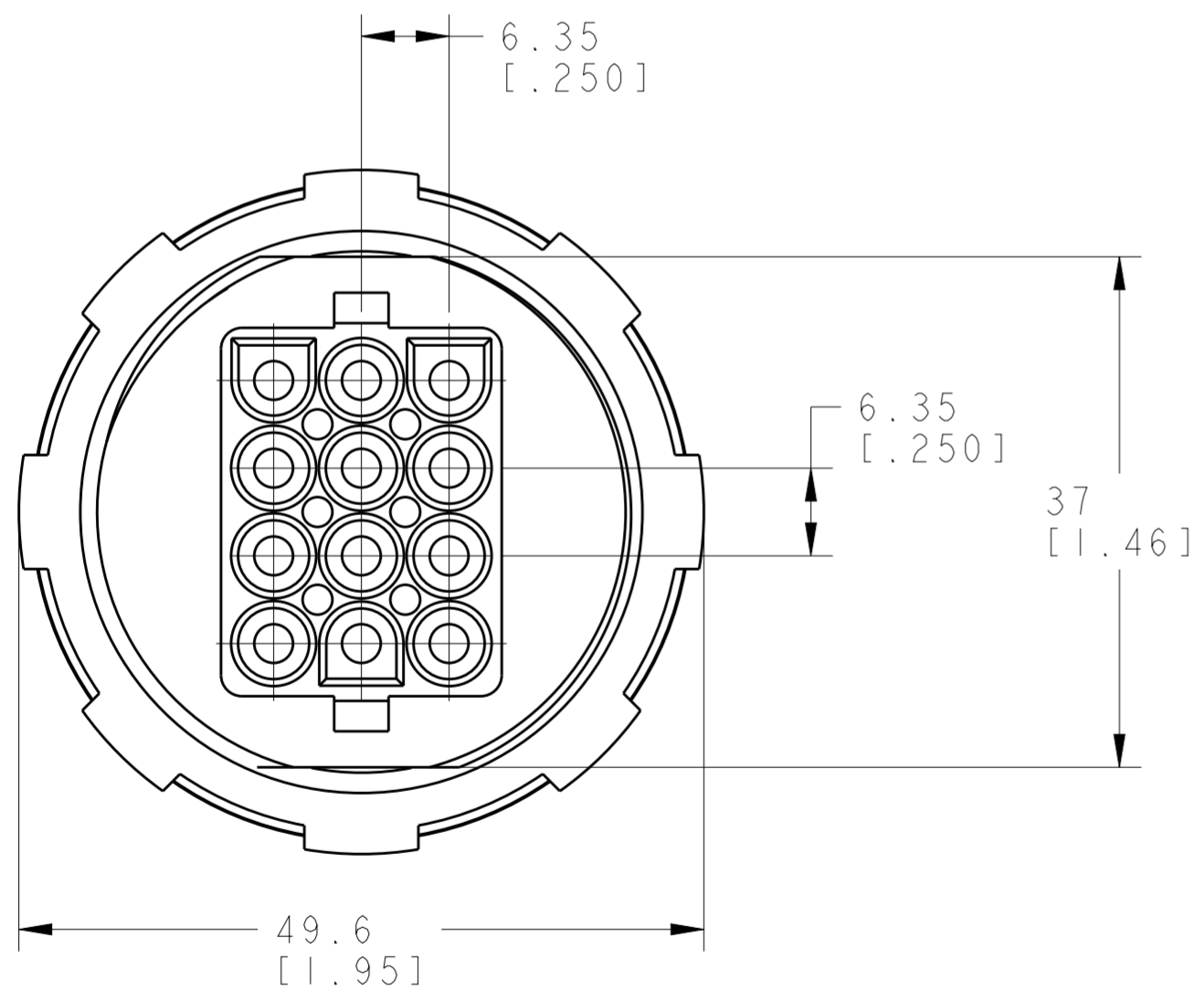
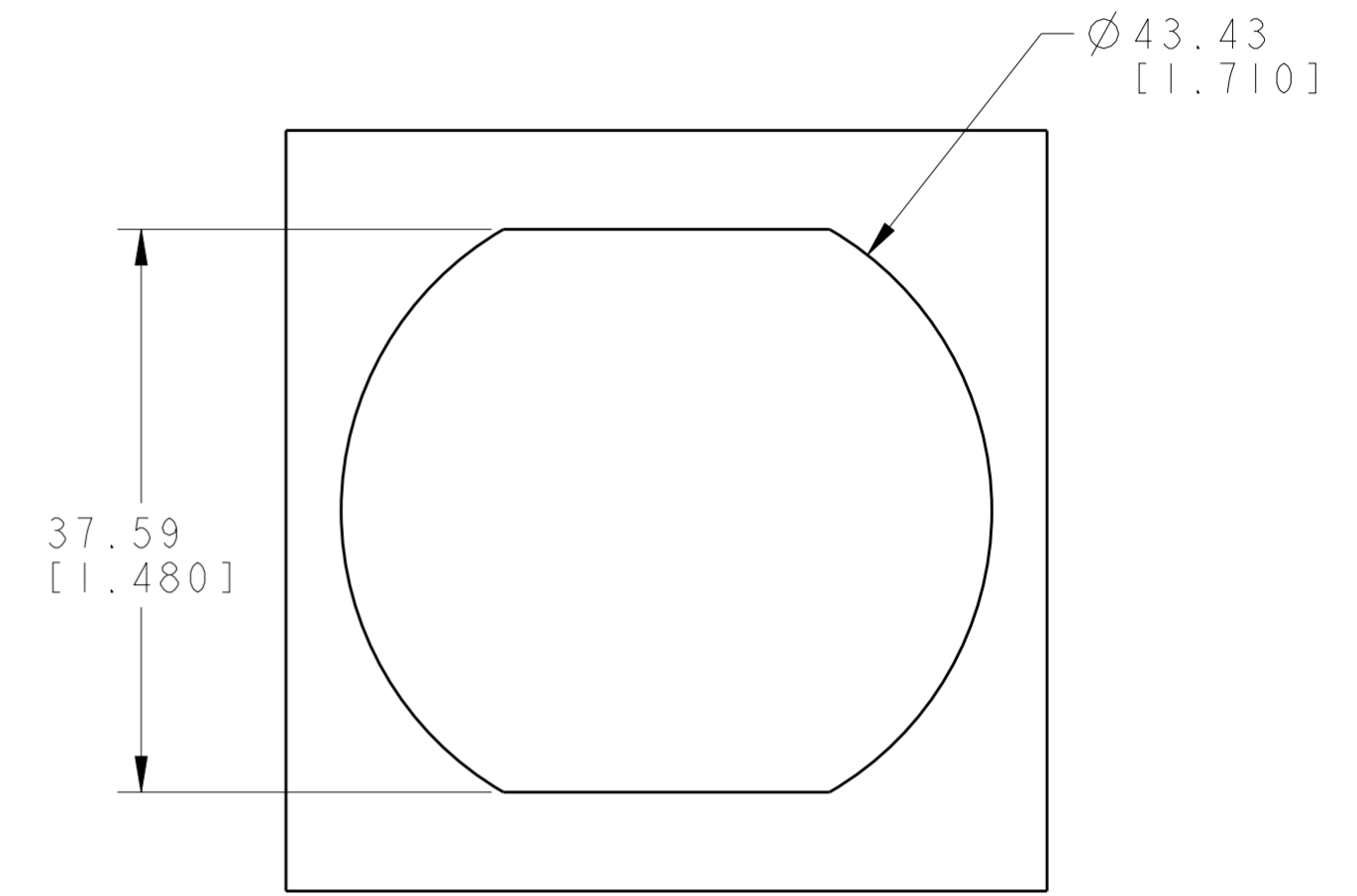
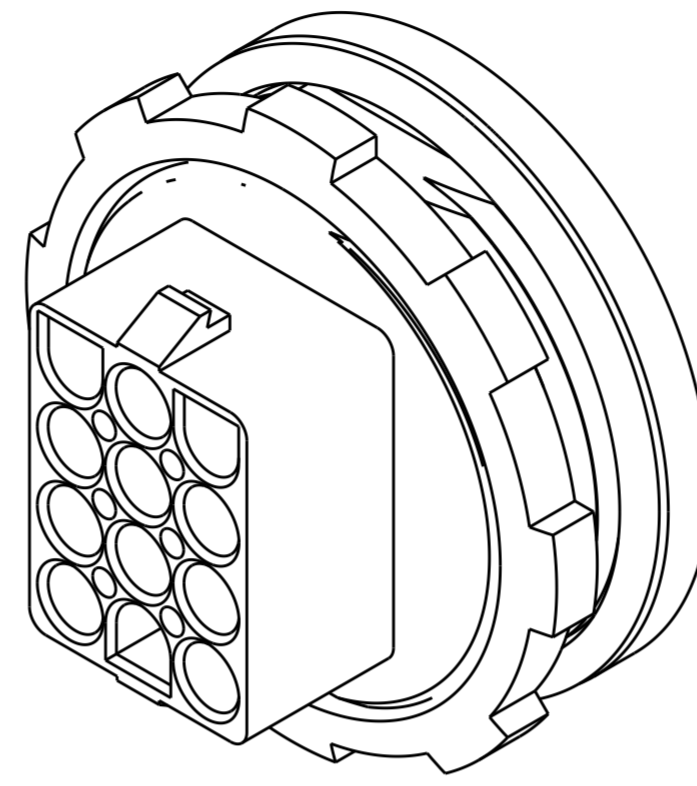
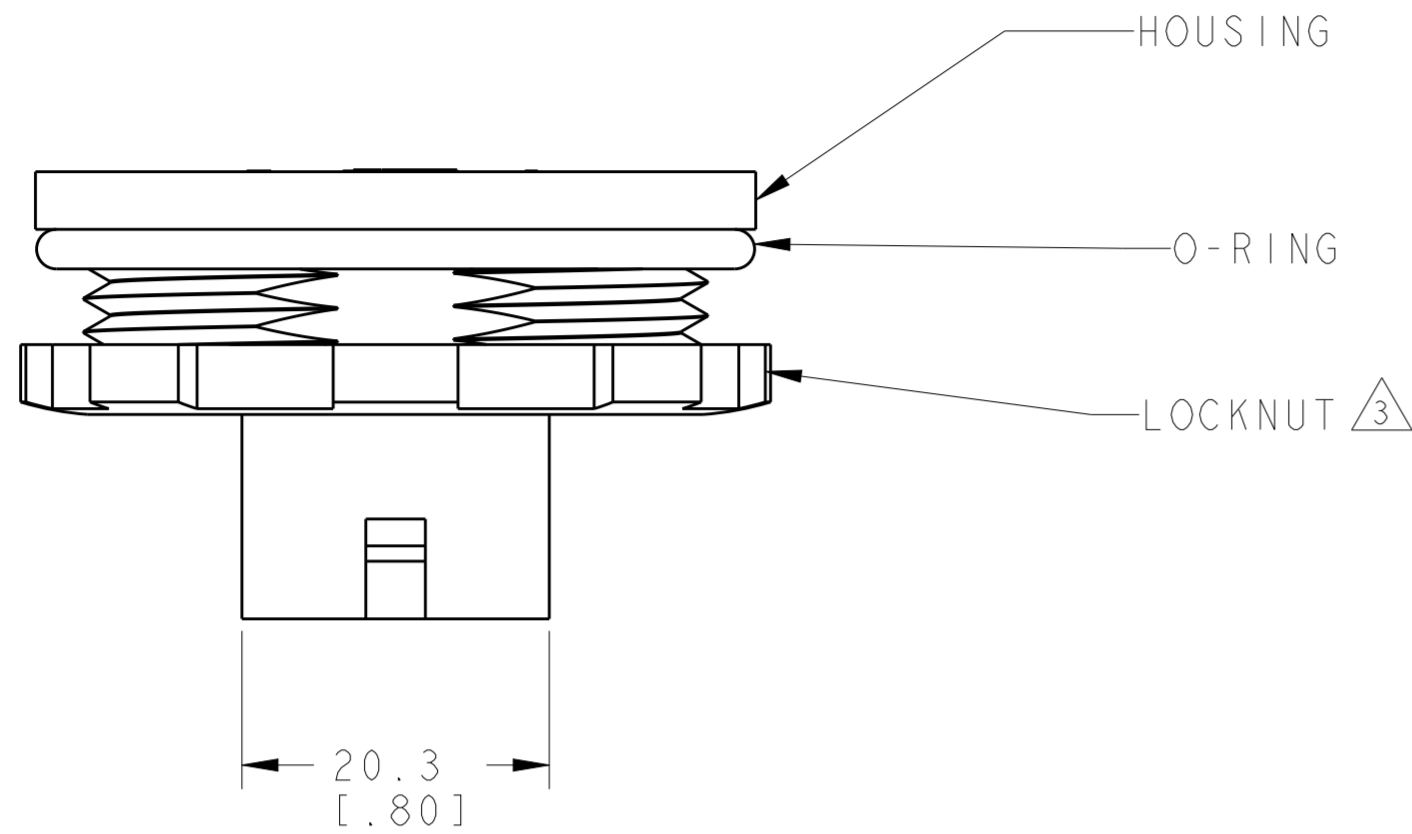


THIS DRAWING IS UNPUBLISHED. RELEASED FOR PUBLICATION 20
 © COPYRIGHT 20 ALL RIGHTS RESERVED.

REVISIONS					
P	LTR	DESCRIPTION	DATE	DWN	APVD
	A1	REVISED PER ECR-17-015449	25OCT2017	BDA	KR



- ¹ LOCKNUT; METAL
HOUSING; NYLON, FLAME RETARDANT,
UL94-VO
O-RING; NEOPRENE
- ² LOCKNUT; PLATED
- ³ LOCKNUT, SIX(6) OR EIGHT(8) SYMETRICAL
PLACED GRIP POINTS PERMISSIBLE.
- 4 DIMENSIONS SHOWN REPRESENT PRODUCT IN
DRY, AS MOLDED, CONDITION. ADDITIONAL
2% GROWTH DUE TO SUBSEQUENT MOISTURE
ABSORPTION MAY OCCUR AND SHOULD BE
ACCOUNTED FOR.

1604941-1
PART NO

THIS DRAWING IS A CONTROLLED DOCUMENT.		DWN W J RUDY 12 JUN 03	STE TE Connectivity	
DIMENSIONS: mm [INCHES]		CHK JHW 12 JUN 03		
TOLERANCES UNLESS OTHERWISE SPECIFIED:		APVD JHW 12 JUN 03	NAME BULKHEAD CONNECTOR ASSEMBLY 12 CIRCUIT, UNIVERSAL MATE-N-LOK(TM)	
0 PLC ± 1 PLC ±0.5 [0.02] 2 PLC ±0.13 [0.005] 3 PLC ± 4 PLC ±		PRODUCT SPEC -	SIZE CAGE CODE DRAWING NO A200779 C-1604941	
MATERIAL ¹		APPLICATION SPEC -	RESTRICTED TO -	
FINISH ²		WEIGHT -	SCALE 2:1 SHEET 1 OF 1 REV A1	
CUSTOMER DRAWING				