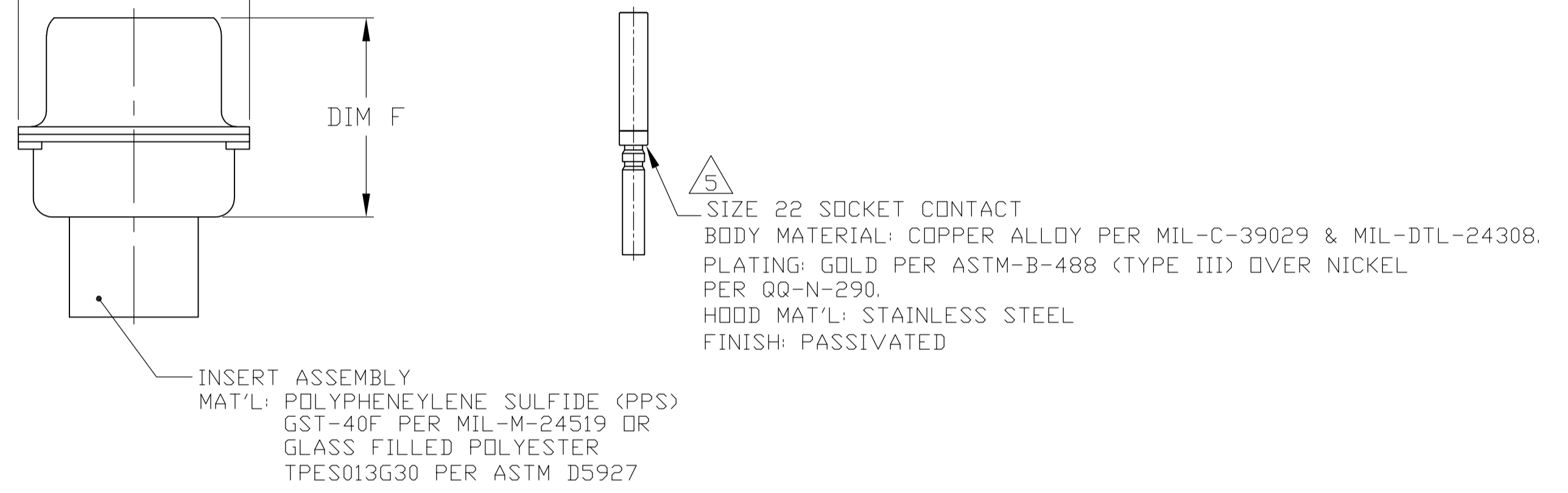
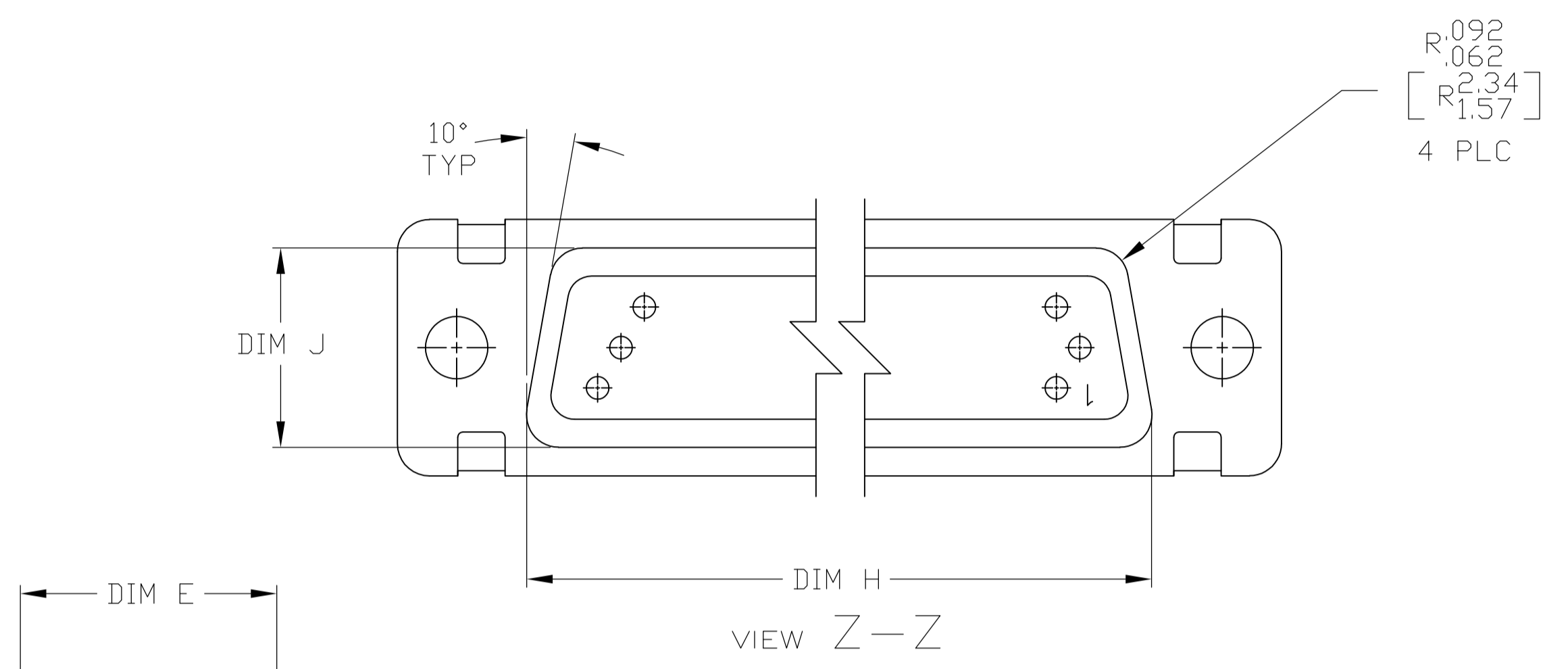


1. THE CONNECTOR DESCRIBED IN THIS DOCUMENT WILL MATE WITH ANY PLUG CONNECTOR WITH THE SAME INSERT ARRANGEMENT.
2. MARKED WITH .047-.062 [1.19-1.57] HIGH CHARACTERS. FAR SIDE REFERS TO THE WIDE SIDE OF THE KEYSTONE. NEAR SIDE REFERS TO THE NARROW SIDE OF THE KEYSTONE. WHEN SPACE IS LIMITED MARKING CAN BE SPLIT BETWEEN FRONT AND REAR SHELL.
3. UL/CSA DESIGNATION STAMPED IN THIS AREA. (SIZE 1 THRU SIZE 5 ONLY).
4. CONNECTOR ASSEMBLY WITHOUT CONTACTS, TE CONNECTIVITY P/N 204351-1. MUST BE ORDERED SEPARATELY.
5. CONNECTOR ASSEMBLY SUPPLIED WITH CONTACTS, TE CONNECTIVITY P/N 204351-1. PACKAGED IN A SEPARATE CONTAINER. QTY = NO. OF POSN. (SEE TABLE).



	L	J	H	G	F	E	D	C	B	A	REMARKS	MILITARY P/N ON PACKAGE	MILITARY P/N ON CONNECTOR	MARKED TE PART NUMBER	L	J	H	G	F	E	D	C	B	A	INSERT ARRANGEMENT	NO OF POS	SHELL SIZE	PART NUMBER
5	.049 [1.24]	.606 [15.39]	2.312 [58.72]	.248 [6.30]	.439 [11.15]	.683 [17.35]	.490 [12.45]	2.505 [63.63]	2.194 [55.73]	2.744 [69.70]		M24308/2-16Z	M24308/2-16Z	1-1757824-2	.049 [1.24]	.586 [14.88]	2.292 [58.22]	.238 [5.82]	.419 [10.64]	.653 [16.59]	.480 [12.19]	2.495 [63.37]	2.184 [55.47]	2.714 [68.94]	MS14004-1	104	6	1-1757824-2
5	.049 [1.24]	.544 [13.82]	2.188 [55.58]	.248 [6.30]	.439 [11.15]	.620 [15.75]	.428 [10.87]	2.411 [61.24]	2.069 [52.55]	2.650 [67.31]		M24308/2-15Z	M24308/2-15Z	1-1757824-1	.049 [1.24]	.524 [13.31]	2.168 [55.07]	.238 [5.82]	.419 [10.64]	.590 [14.99]	.418 [10.62]	2.401 [60.99]	2.059 [52.30]	2.620 [66.55]	MS18277-2	78	5	1-1757824-1
5	.049 [1.24]	.432 [10.97]	2.282 [57.96]	.248 [6.30]	.439 [11.15]	.509 [12.93]	.316 [8.03]	2.505 [63.63]	2.164 [54.97]	2.744 [69.70]		M24308/2-14Z	M24308/2-14Z	1-1757824-0	.049 [1.24]	.412 [10.46]	2.262 [57.45]	.238 [5.82]	.419 [10.64]	.479 [12.17]	.306 [7.77]	2.495 [63.37]	2.154 [54.71]	2.714 [68.94]	MS18276-2	62	4	1-1757824-0
5	.049 [1.24]	.432 [10.97]	1.635 [41.53]	.248 [6.30]	.439 [11.15]	.509 [12.93]	.316 [8.03]	1.857 [47.17]	1.516 [38.51]	2.103 [53.42]		M24308/2-13Z	M24308/2-13Z	1757824-9	.049 [1.24]	.412 [10.46]	1.615 [41.02]	.238 [5.82]	.419 [10.64]	.479 [12.17]	.306 [7.77]	1.847 [46.91]	1.506 [38.25]	2.073 [52.65]	MS18275-2	44	3	1757824-9
5	.040 [1.02]	.432 [10.97]	1.093 [27.76]	.248 [6.30]	.439 [11.15]	.509 [12.93]	.316 [8.03]	1.317 [33.45]	.976 [24.79]	1.556 [39.52]		M24308/2-12Z	M24308/2-12Z	1757824-8	.040 [1.02]	.412 [10.46]	1.073 [27.25]	.238 [5.82]	.419 [10.64]	.479 [12.17]	.306 [7.77]	1.307 [33.20]	.966 [24.54]	1.526 [38.76]	MS18274-2	26	2	1757824-8
5	.040 [1.02]	.432 [10.97]	.769 [19.53]	.248 [6.30]	.439 [11.15]	.509 [12.93]	.316 [8.03]	.989 [25.12]	.648 [16.46]	1.228 [31.19]		M24308/2-11Z	M24308/2-11Z	1757824-7	.040 [1.02]	.412 [10.46]	.749 [19.02]	.238 [5.82]	.419 [10.64]	.479 [12.17]	.306 [7.77]	.979 [24.87]	.638 [16.21]	1.198 [30.43]	MS18273-2	15	1	1757824-7
4	.049 [1.24]	.606 [15.39]	2.312 [58.72]	.248 [6.30]	.439 [11.15]	.683 [17.35]	.490 [12.45]	2.505 [63.63]	2.194 [55.73]	2.744 [69.70]		M24308/2-291Z	M24308/2-16Z	1-1757824-2	.049 [1.24]	.586 [14.88]	2.292 [58.22]	.238 [5.82]	.419 [10.64]	.590 [14.99]	.418 [10.62]	2.401 [60.99]	2.059 [52.30]	2.620 [66.55]	MS14004-1	104	6	1757824-6
4	.049 [1.24]	.544 [13.82]	2.188 [55.58]	.248 [6.30]	.439 [11.15]	.620 [15.75]	.428 [10.87]	2.411 [61.24]	2.069 [52.55]	2.650 [67.31]		M24308/2-290Z	M24308/2-15Z	1-1757824-1	.049 [1.24]	.524 [13.31]	2.168 [55.07]	.238 [5.82]	.419 [10.64]	.590 [14.99]	.418 [10.62]	2.401 [60.99]	2.059 [52.30]	2.620 [66.55]	MS18277-2	78	5	1757824-5
4	.049 [1.24]	.432 [10.97]	2.282 [57.96]	.248 [6.30]	.439 [11.15]	.509 [12.93]	.316 [8.03]	2.505 [63.63]	2.164 [54.97]	2.744 [69.70]		M24308/2-289Z	M24308/2-14Z	1-1757824-0	.049 [1.24]	.412 [10.46]	2.262 [57.45]	.238 [5.82]	.419 [10.64]	.479 [12.17]	.306 [7.77]	2.495 [63.37]	2.154 [54.71]	2.714 [68.94]	MS18276-2	62	4	1757824-4
4	.049 [1.24]	.432 [10.97]	1.635 [41.53]	.248 [6.30]	.439 [11.15]	.509 [12.93]	.316 [8.03]	1.857 [47.17]	1.516 [38.51]	2.103 [53.42]		M24308/2-288Z	M24308/2-13Z	1757824-9	.049 [1.24]	.412 [10.46]	1.615 [41.02]	.238 [5.82]	.419 [10.64]	.479 [12.17]	.306 [7.77]	1.847 [46.91]	1.506 [38.25]	2.073 [52.65]	MS18275-2	44	3	1757824-3
4	.040 [1.02]	.432 [10.97]	1.093 [27.76]	.248 [6.30]	.439 [11.15]	.509 [12.93]	.316 [8.03]	1.317 [33.45]	.976 [24.79]	1.556 [39.52]		M24308/2-287Z	M24308/2-12Z	1757824-8	.040 [1.02]	.412 [10.46]	1.073 [27.25]	.238 [5.82]	.419 [10.64]	.479 [12.17]	.306 [7.77]	1.307 [33.20]	.966 [24.54]	1.526 [38.76]	MS18274-2	26	2	1757824-2
4	.040 [1.02]	.432 [10.97]	.769 [19.53]	.248 [6.30]	.439 [11.15]	.509 [12.93]	.316 [8.03]	.989 [25.12]	.648 [16.46]	1.228 [31.19]		M24308/2-286Z	M24308/2-11Z	1757824-7	.040 [1.02]	.412 [10.46]	.749 [19.02]	.238 [5.82]	.419 [10.64]	.479 [12.17]	.306 [7.77]	.979 [24.87]	.638 [16.21]	1.198 [30.43]	MS18273-2	15	1	1757824-1

THIS DRAWING IS A CONTROLLED DOCUMENT.

DIMENSIONS: INCHES	TOLERANCES UNLESS OTHERWISE SPECIFIED:	DIN C.C.THOMAS 6-3-05	APPROVED: D.MILLER 6-8-05
0 PLC ± -	1 PLC ± -	2 PLC ± -	3 PLC ± .005 [0.13]
4 PLC ± -	ANGLES ± 1'	MATERIAL: SEE CALLOUTS	

STE TE Connectivity

AMPLIMITE RECEPTACLE ASSY, SIZE 1 THRU 6 SERIES 90 WITH ZINC PLATED SHELLS

SIZE: A1 CAGE CODE: 00779 DRAWING NO: 1757824

CUSTOMER DRAWING SCALE: 4:1 SHEET 1 OF 1 REV E