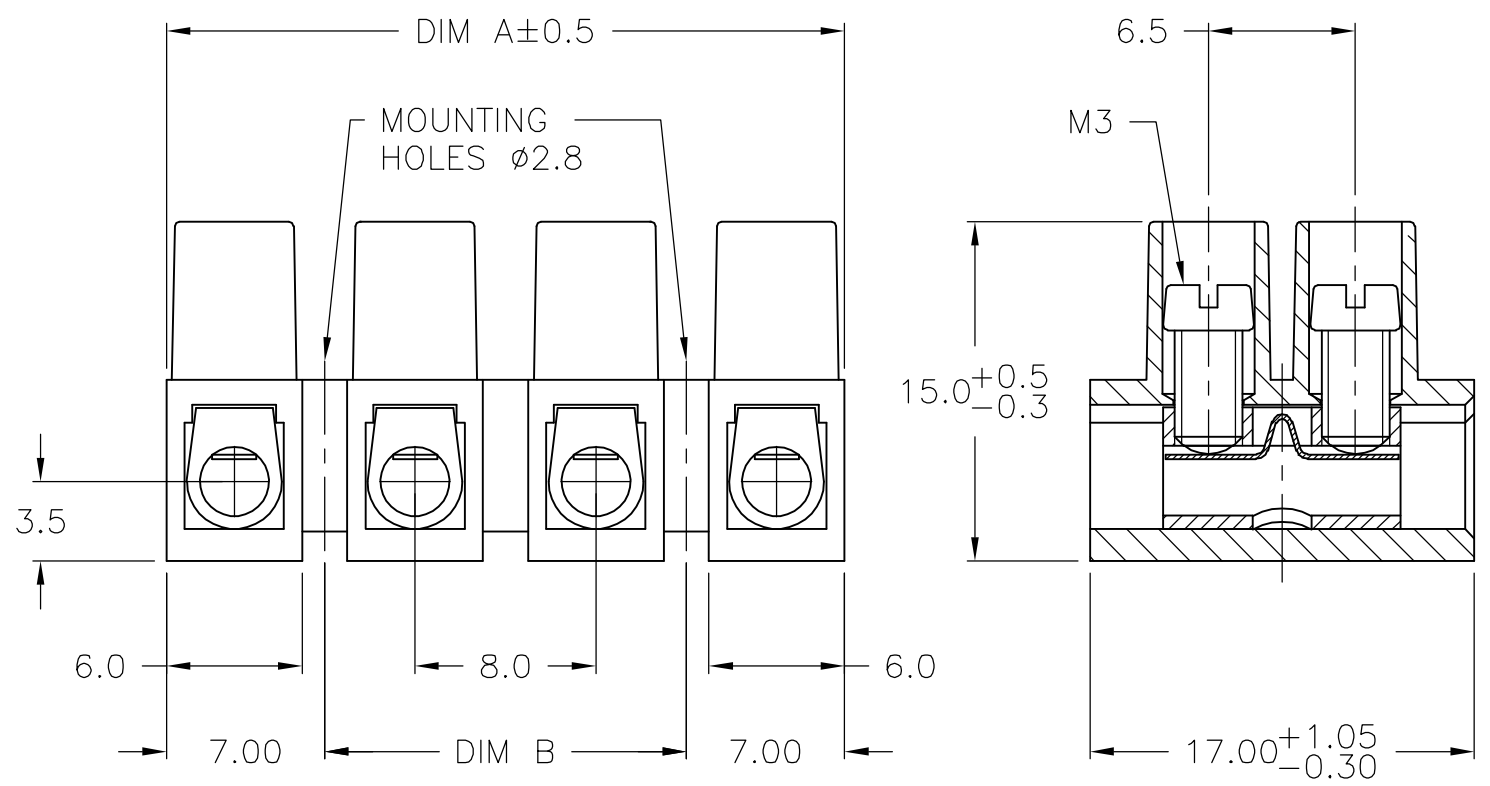


THIS DRAWING IS UNPUBLISHED. RELEASED FOR PUBLICATION
 © COPYRIGHT BY TYCO ELECTRONICS CORPORATION. ALL RIGHTS RESERVED.

LOC	DIST	REVISIONS					
FT	0	P	LTR	DESCRIPTION	DATE	DWN	APVD
			01	REVISED PER ECO-05-8661	9/1/05	SS	CR

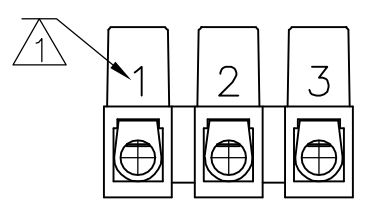


MATERIAL:
 HOUSING: POLYIMIDE 6 UL94V-0.
 COLOR: BROWN.
 TUBULAR CONTACT: BRASS TIN PLATED.
 SCREW: STEEL M3 ZINC W/ NON-HEXAVALENT CHROMATE (CHROME III).
 WIRE PROTECTOR: STAINLESS STEEL.

ELECTRICAL:
 CURRENT RATING: 30A.
 OPERATING VOLTAGE: 250V.
 WIRE RANGE: 12-26 AWG.

ENVIRONMENTAL:
 CONTINUOUS WORKING TEMP.: -35°C TO +150°C.

△ MARKED WITH PERMANENT INK.



1-1779295-3

△	8.0	22.0	3	TSB23003DS HT	1-1776295-3
	80.0	94.0	12	TSB23012DS HT	1-1776295-2
	72.0	86.0	11	TSB23011DS HT	1-1776295-1
	64.0	78.0	10	TSB23010DS HT	1-1776295-0
	56.0	70.0	9	TSB23009DS HT	1776295-9
	48.0	62.0	8	TSB23008DS HT	1776295-8
	40.0	54.0	7	TSB23007DS HT	1776295-7
	32.0	46.0	6	TSB23006DS HT	1776295-6
	24.0	38.0	5	TSB23005DS HT	1776295-5
	16.0	30.0	4	TSB23004DS HT	1776295-4
	8.0	22.0	3	TSB23003DS HT	1776295-3
	-	14.0	2	TSB23002DS HT	1776295-2
	-	6.0	1	TSB23001DS HT	1776295-1
	DIM B	DIM A	NO. POSN	CATALOG NUMBER	TYCO PART NUMBER

THIS DRAWING IS A CONTROLLED DOCUMENT.		DWN	S SCHLEGEL	3/18/05	Tyco Electronics Corporation Harrisburg, Pa 17105-3608	
DIMENSIONS: mm		CHK	C RICHARD	3/18/05		
TOLERANCES UNLESS OTHERWISE SPECIFIED:		APVD	C RICHARD	3/18/05	NAME	
0 PLC ± - 1 PLC ± .3 2 PLC ± .25 3 PLC ± - 4 PLC ± - ANGLES ± 2		PRODUCT SPEC		HIGH TEMP EUROPA TERMINAL BLOCK W/WIRE PROTECTOR MOUNTING HOLES 2.8 DIA., 8.0mm PITCH		
MATERIAL		APPLICATION SPEC		SIZE		
FINISH		WEIGHT		CAGE CODE		DRAWING NO
-		-		A3 00779		RESTRICTED TO
		CUSTOMER DRAWING		G=1776295		SCALE
				NTS		SHEET 1 OF 1
						REV 01

Mouser Electronics

Authorized Distributor

Click to View Pricing, Inventory, Delivery & Lifecycle Information:

[TE Connectivity:](#)

[1776295-3](#)